

## Owners Manual

### Yard Spotter Series XA-351-03505 & XA-351-UB Fifth Wheels

- Operation
- Maintenance Procedures
- Comprehensive Warranty



# GENERAL SAFETY INFORMATION

## Notes, Cautions, and Warnings

You must read and understand all of the safety procedures presented in this manual before starting any work on the SAF-HOLLAND product.

**NOTE:** In the United States, work shop safety requirements are defined by federal and/or state Occupational Safety and Health Act or equivalent laws in other countries. This manual is written based on the assumption that OSHA or other applicable employee safety regulations are followed by the location where work is performed.

Proper tools must be used to perform the maintenance and repair procedures described in this manual. Many of these procedures require special tools.

Throughout this manual, you will notice the terms “NOTE”, “IMPORTANT”, “CAUTION”, and “WARNING” followed by important product information. So that you may better understand the manual, those terms are as follows:

**NOTE:** Includes additional information to enable accurate and easy performance of procedure.

**IMPORTANT:** Includes additional information that if not followed could lead to hindered product performance.

**CAUTION** Used without the safety alert symbol, indicates a potentially hazardous situation which, if not avoided, may result in property damage.

**▲ CAUTION** Indicates a potentially hazardous situation which, if not avoided, may result in minor or moderate injury.

**▲ WARNING** Indicates a potentially hazardous situation which, if not avoided, could result in death or serious injury.

## Check Equipment Prior to Use

1. Make sure the fifth wheel is properly lubricated.
2. Make sure the secondary lock is disengaged. (See *Figure 1*).
3. Make sure the fifth wheel locks are open.
4. Make sure the fifth wheel ramps are tilted down as shown in *Figure 2*.

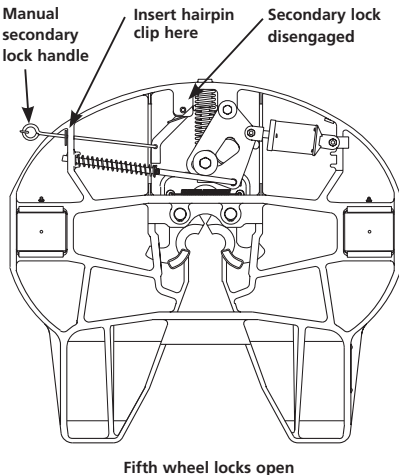


FIGURE 1

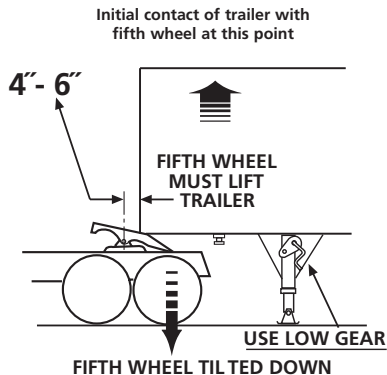


FIGURE 2

# OPERATION INSTRUCTIONS

## Coupling

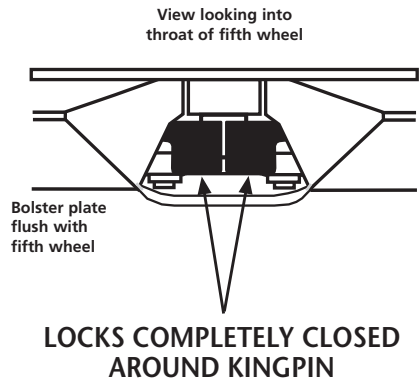
1. Back up closer to the trailer, centering the kingpin on the throat of the fifth wheel. **STOP.** Set tractor brakes.
2. Block the trailer wheels, connect brake lines and set trailer brakes.
3. Check to see that the trailer is at the proper height for coupling. (The front of the bolster plate should contact the fifth wheel approximately 4" to 6" behind the fifth wheel's pivot point. If not, raise or lower the fifth wheel and, if necessary, the trailer landing gear, to obtain this position.)
4. Back under the trailer and engage the fifth wheel locks with the trailer kingpin. Pull forward to test the completeness of the coupling as an INITIAL check. Set tractor brakes. Next, **visually** inspect the fifth wheel, as shown in **Figure 3**, to verify that it is properly locked

**WARNING** Failure to verify a proper couple can result in tractor and trailer separation, causing death or serious injury to you or other (see **Figure 3**).

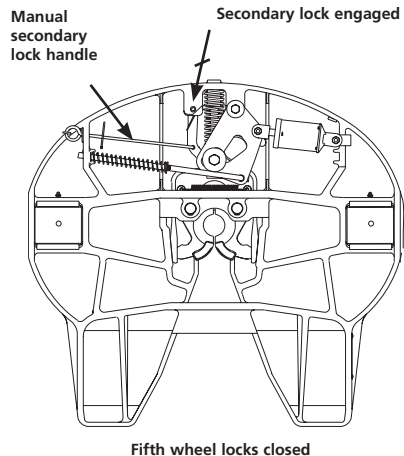
5. If operation on public streets or highways is required, the manual secondary lock must be engaged. To engage the secondary lock, remove the hairpin clip on the secondary lock handle allowing the secondary lock to pivot behind the locking yoke as shown in **Figure 4**.
6. Remove blocks. Release trailer and tractor brakes. Raise trailer to desired height and move trailer.

**WARNING** Elevating fifth wheels in the elevated position are less stable than standard fifth wheels. To avoid rollovers, do not travel at excessive speeds, and do not make sudden turns or maneuvers.

**CAUTION** This unit is not recommended for operation on public streets and highways. When such trailer moves are necessary, the manual secondary lock on the fifth wheel must be engaged (see coupling procedure #5 above) and the fifth wheel must be in the down position. Limit speed to 45 mph maximum.



**FIGURE 3**

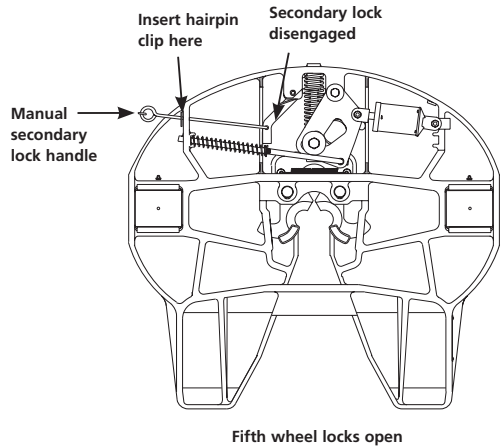


**FIGURE 4**

## Uncoupling

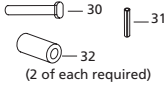
1. Position yard spotter tractor and trailer on firm, level ground clear of obstructions and people.
2. Set trailer brakes, lower fifth wheel until the trailer landing gear touch the ground. Set tractor brakes.
3. Chock trailer wheels. Disconnect trailer air supply and electrical connection.
4. If the manual secondary lock was engaged, remove the hairpin clip on the secondary lock handle, pull the secondary lock handle outward to disengage the secondary lock. While holding the handle out, re-insert the hairpin clip into the hole in the handle. (See **Figure 5**.)
5. Actuate the fifth wheel control valve and hold it in to open the locks.
6. While holding the lock control valve in, slowly pull out from the trailer.
7. After driving completely free of the kingpin, release the lock control valve.

**FIGURE 5**

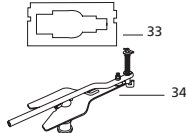


# PARTS BREAKDOWN

## Bracket Components XA-351-03505 Series (RK-04413-1)



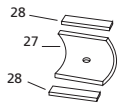
## Accessories



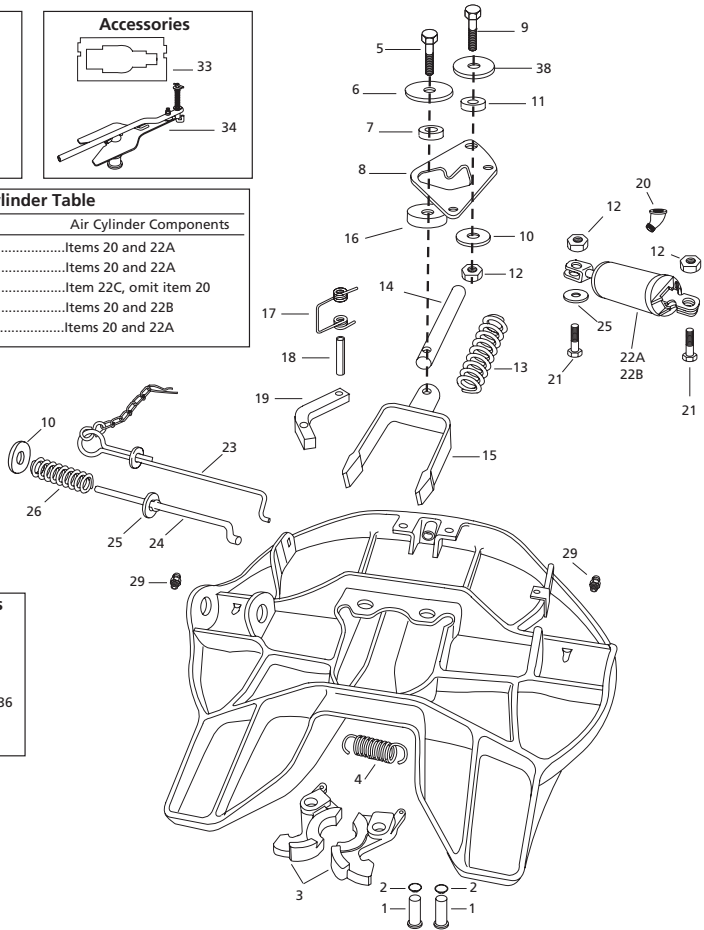
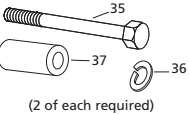
## Air Cylinder Table

Top Plate Assembly	Air Cylinder Components
XA-351-03505	Items 20 and 22A
XA-351-03505-2	Items 20 and 22A
XA-351-03505-3	Item 22C, omit item 20
XA-351-03505-4	Items 20 and 22B
XA-351-UB	Items 20 and 22A

## XA-351-03505 Series ONLY



## Bracket Components XA-351-UB Series



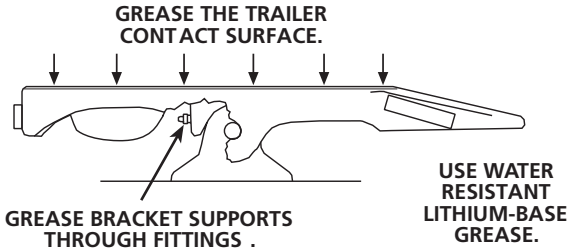
ITEM NO.	ITEM NO.	ITEM	NO.	NO.	NO.		
NO.	PART NO.	REQ'D.	PART NAME	NO.	PART NO.	REQ'D.	PART NAME
1	XA-07292-1	2	Lock pin	21	XB-T-89-5	2	HHCS 1/2"-20 x 1-3/4"LG
2	XB-07398	2	Retaining ring	22A*	XA-2524-R-13-1	1	Air cylinder
3	XA-08332-1	1	Lock jaw set	22B*	XA-2524-R-13-2	1	Air cylinder
4	XB-07628	1	Extension spring	22C*	XA-2524-R-13-3	1	Air cylinder
5	XB-10035	1	Hex head cap screw 5/8"-18 x 2"	23	XA-3546	1	Secondary lock handle
6	XB-07431	1	Washer 5/8" I.D. x 2 5/8" O.D.	24	XA-09041	1	Release handle
7	XA-1507-1	1	Roller 5/8" I.D.	25	XB-PW-1732-1-116	2	Washer 1/2" I.D. x 1" O.D.
8	XA-08988	1	Cam plate	26	XB-07291	1	Compression spring
9	XB-2083	1	Hex head cap screw 1/2"-20 x 1-3/4"	27	XA-03423	2	Bracket bearing
10	XB-08559	2	Washer 1/2" I.D. x 1-3/4" O.D.	28	XA-0268	4	Bearing stop block
11	XA-1029	1	Roller 1/2" I.D.	29	XB-H-38	2	Grease fitting
12	XB-T-69-A	3	Locknut 1/2"-20 (2 add'l req. for brackets)	30	XA-2016	2	Bracket pin
13	XB-1505	1	Yoke spring	31	XB-21-5-375-1750	2	Roll pin 3/8" x 1-3/4"
14	XA-1706-1	1	Yoke shaft	32	XB-0011	2	Rubber bushing
15	XA-07295	1	Yoke	33	TF-0110	1	Kingpin gage
16	XA-09040	1	Cam spacer	34	TF-TLN-5001	1	Kingpin lock tester
17	XB-2149	1	Torsion spring	35	XB-BR-118-C-7	2	HHCS 1-1/8"-7 x 7"
18	XB-21-5-500-2750	1	Roll pin 1/2" x 2-3/4"	36	XB-E-536	2	Washer, lock 1-1/8"
19	XA-3528	1	Secondary lock	37	XB-1604-5	2	Rubber Bushing
20	XB-698	1	45° street elbow	38	XB-1030	1	Washer, 1/2" I.D. x 2-1/4" O.D.

# MAINTENANCE PROCEDURES

## PERIODIC MAINTENANCE OF XA-351-UB AND XA-351-03505 FIFTH WHEEL TOP PLATES

### WEEKLY

1. Apply grease to the bracket supports through the grease fittings as shown below.
2. Be sure the fifth wheel top plate is lubricated.
3. Check operation of the fifth wheel locking mechanism.

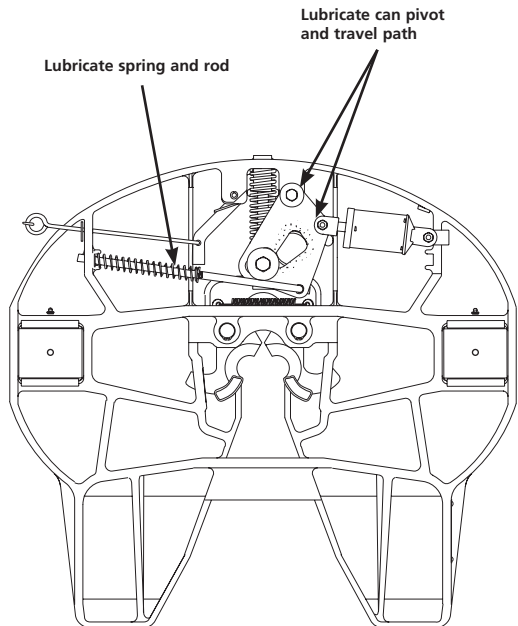


### MONTHLY

1. Steam clean the entire top plate thoroughly.
2. Inspect the fifth wheel top plate assembly.
  - Check for — and replace — any bent, worn, or broken parts.
  - Check for cracks in the top plate casting or any component part.

Replace as required using only genuine HOLLAND parts.

3. Check the fifth wheel locking mechanism for proper operation using a HOLLAND TF-TLN-1000 or TF-TLN-5001 Lock Tester. When checking, move the lock tester fore and aft when closed in the locks. If play exceeds  $3/8$ " , rebuild or replace the top plate. See your Holland Distributor for parts and ordering information.



### **⚠️WARNING**

Using a fifth wheel that does not lock properly can result in trailer separation, causing death or serious injury.

4. Relubricate the entire fifth wheel as shown above.

# WARRANTY

## COMMERCIAL PRODUCTS WARRANTY

SAF-HOLLAND warrants all Commercial Products (products other than those normally used for personal, family, or household purposes) manufactured by it, when properly installed, to be free from defects in material and workmanship under normal use and service for a period of two (2) years from the date of manufacture, with the exception of terminal tractor and elevating fifth wheels for which the warranty period is 180 days.

This warranty is void with respect to any product which has been altered in any way from its manufactured condition, such as intentional modification, accident, corrosion, misuse, failure to provide necessary and reasonable maintenance and is exclusive of normal wear.

The sole responsibility of SAF-HOLLAND under this warranty is limited to repairing or replacing at the factory any part or parts which are returned, with transportation charges prepaid, and are found to be defective to the satisfaction of SAF-HOLLAND. Written authorization from SAF-HOLLAND must be obtained prior to returning any part or parts. No charges for transportation or for labor performed on SAF-HOLLAND products by unauthorized persons will be allowed under this warranty.

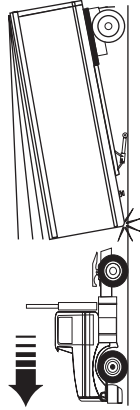
SAF-HOLLAND shall not be liable, in any event, for proximate, incidental, consequential or other damages, including but not limited to damages for loss of production or injury to persons or property arising out of any breach of this warranty.

**THERE ARE NO WARRANTIES, EXPRESS OR IMPLIED, INCLUDING THE WARRANTY OF MERCHANTABILITY OR A WARRANTY OF FITNESS FOR A PARTICULAR PURPOSE EXTENDING BEYOND THAT SET FORTH ABOVE.**



**IMPORTANT:** Enclosed is important information for the installation, operation, and maintenance of this product. Read and understand this information.

# ⚠ WARNING



**Failure to properly install, operate, or maintain this fifth wheel could result in tractor and trailer separation causing death or serious injury to others.**



**SAF-HOLLAND USA, Inc.**  
888.396.6501 Fax 800.356.3929  
**Western Canada**  
604.574.7491 Fax 604.574.0244

**SAF-HOLLAND Canada Limited**  
519.537.3494 Fax 800.565.7753