

Installation Instructions

Installation of Crank Handle Holder

June 2018

Atlas 55/65 Inside Mount

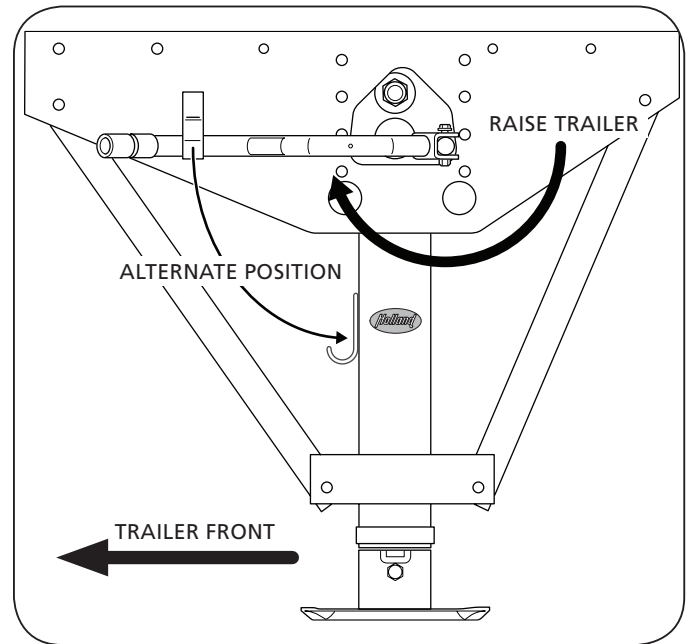
Gearbox leg on drivers side of trailer:

Crank Hanger should be installed toward the front of the trailer (left-hand side of the leg with an inside mounted leg). Push in on shift shaft for low gear.

CAUTION

Always store crank handle in the hanger with the gearbox in low while loading. Failure to comply may result in handle rotation and entrapment against trailer undercarriage which, may cause component damage.

Inside Mount



Atlas 55/65 Outside Mount

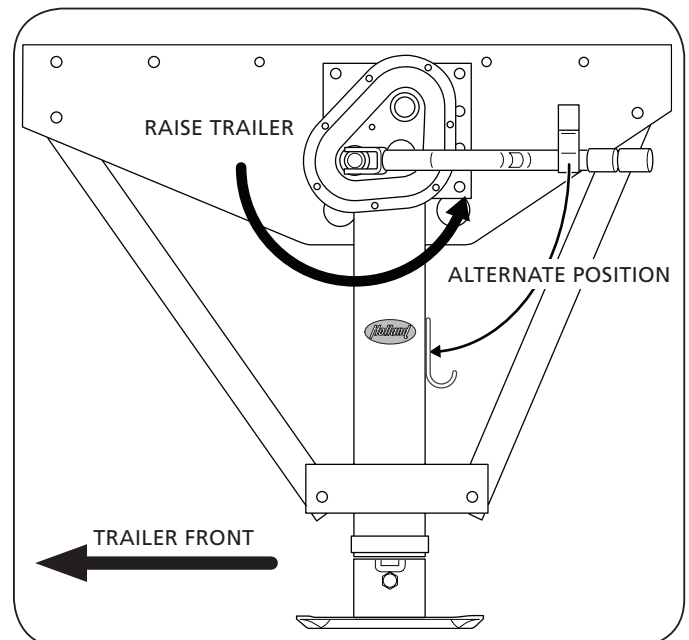
Gearbox leg on drivers side of trailer:

Crank hanger should be installed toward the rear of the trailer (right-hand side of leg with an outside mounted leg). Pull out on shift shaft for low gear.

CAUTION

Always store crank handle in the hanger with the gearbox in low while loading. Failure to comply may result in handle rotation and entrapment against trailer undercarriage which, may cause component damage.

Outside Mount





From fifth wheel rebuild kits to suspension bushing repair kits, SAF-HOLLAND Original Parts are the same quality components used in the original component assembly.

SAF-HOLLAND Original Parts are tested and designed to provide maximum performance and durability. Will-fits, look-alikes or, worse yet, counterfeit parts will only limit the performance potential and could possibly void SAF-HOLLAND's warranty. Always be sure to spec SAF-HOLLAND Original Parts when servicing your SAF-HOLLAND product.

SAF-HOLLAND USA • 888.396.6501 • Fax 800.356.3929
www.safholland.us

SAF-HOLLAND CANADA • 519.537.3494 • Fax 800.565.7753
WESTERN CANADA • 604.574.7491 • Fax 604.574.0244
www.safholland.ca

SAF-HOLLAND MEXICO • 52.55.5362.8743 • Fax 52.55.5362.8743
www.safholland.com.mx

info@safholland.com