

ORDERING GUIDE

UltraLite™ Mechanical Slider

USA
SAF-HOLLAND, Inc.
800.876.3929

CANADA
SAF-HOLLAND, Canada Ltd.
519-537-2366



Ordering Guide Instructions : **PLEASE DOWNLOAD THIS FORM BEFORE COMPLETING.**

The intent of this form is to collect the customer requirements and gain all necessary information about your UltraLite™ application.

With this information SAF-HOLLAND will determine the right UltraLite™ configuration which is balanced to your requirements and capable to achieve 100% of the potential performance of this system.

If you have any questions regarding this document, please feel free to contact SAF-HOLLAND Customer Service at 1.888.396.6501.

- Please complete all of the information requested on this ordering guide by filling in all appropriate fields.
- After submitting, print a copy of this ordering guide for your records, by clicking the "PRINT FORM" button.
- To clear the form, click the "CLEAR FORM" button.

General Information

Customer Information - Vehicle Manufacturer

Date:
Company Name:
Company Location:
Contact Name:
Telephone: Fax:
E-mail:

End User Information - Fleet

Company Name:
Company Location:
Contact Name:
Telephone: Fax:
E-mail:

System Configurations

Slider/Suspension Information

Axle Arrangement:
Slider Model:
Axle Spread:
Slider Pin Extractor:
Slider Box Shims:
Tank Bracket Attachments:
Stinger Bracket Attachments:
Mud Flap Bracket Attachments:

Box Height:
Box Width:
Box Rail Style:

Pin Configuration:

Accessory Items (Not included in UltraLite™ Model Number - Sold Separately)

Body Rail Length:
(Available Binkley Style Only)
Stop Bar:

How-To Submit This Ordering Guide:
Submit completed ordering guide by clicking the "SUBMIT TO" button next one of our SAF-HOLLAND ordering specialist.

USA: Debbie Doremire
CANADA: Jim Visser

Spring Seat Riser & U-Bolt Selection

DESCRIPTION		SPRING SEAT HEIGHT						
		3/4"	1-1/4"	1-1/2"	1-3/4"	2-1/4"	2-3/4"	3-1/4"
Spring Seat Riser		SP0142-01	SP0142-02	SP0142-22	SP0142-03	SP0149-04	SP0149-05	SP0149-06
SPRING TYPE	Single Leaf Spring U-Bolt	SP0074-G	SP0074-H	SP0074-H	SP0074-J	SP0074-K	SP0074-L	SP0074-M
	SP0360 High	15-1/2"	16"	16-1/4"	16-1/2"	17"	17-1/2"	18"
	SP0363 Low	13-1/4"	13-3/4"	14"	14-1/4"	14-3/4"	15-1/4"	15-3/4"
	Two Leaf Spring U-Bolt	SP0074-H	SP0074-J	SP0074-J	SP0074-K	SP0074-L	SP0074-M	SP0074-P
	SP0324 High	15-1/2"	16"	16-1/4"	16-1/2"	17"	17-1/2"	18"
	SP0325 Medium	14"	14-1/2"	14-3/4"	15"	15-1/2"	16"	16-1/2"
	SP0326 Low	13-1/4"	13-3/4"	14"	14-1/4"	14-3/4"	15-1/4"	15-3/4"
	Three Leaf Spring U-Bolt	SP0074-J	SP0074-K	SP0074-K	SP0074-L	SP0074-M	SP0074-P	SP0074-R
	SP0354 High	15-1/2"	16"	16-1/4"	16-1/2"	17"	17-1/2"	18"
	SP0355 Medium	14"	14-1/2"	14-3/4"	15"	15-1/2"	16"	16-1/2"
SP0356 Low	13-1/4"	13-3/4"	14"	14-1/4"	14-3/4"	15-1/4"	15-3/4"	
HD Three Leaf Spring U-Bolt	SP0074-K	SP0074-L	SP0074-L	SP0074-M	SP0074-P	SP0074-R	SP0074-S	
SP0365 High	15-1/2"	16"	16-1/4"	16-1/2"	17"	17-1/2"	18"	
SP0365-01 Low	13-1/4"	13-3/4"	14"	14-1/4"	14-3/4"	15-1/4"	15-3/4"	
Composite Spring U-Bolt	SP0075-04	SP0075-05	SP0075-05	SP0075-06	SP0075-07	SP0075-08	SP0075-09	
Ride Height	14-1/2"	15"	15-1/4"	15-1/2"	16"	16-1/2"	17"	

NOTE: Ride Height is the nominal unloaded distance from the center line of the axle to the bottom of the slide box. It is recommended that a minimum of 4-1/2" of vertical clearance be maintained above the tires with the trailer in an unloaded condition.

Your Selection:

_____ Spring Seat Risers

_____ Spring U-Bolts

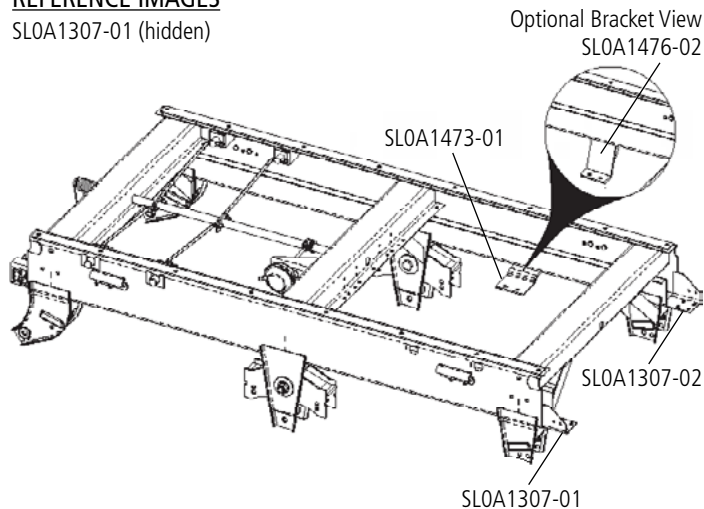
_____ Ride Height

NOTE: If option is not listed above, please manually fill in desired Spring Number and Ride Height

NOTE: Unitized Axle & Suspension Systems Available. Reference ULX40 Ordering Guide XL-MS20034CG

REFERENCE IMAGES

SLOA1307-01 (hidden)



How-To Submit This Ordering Guide:

Submit completed ordering guide by clicking the "SUBMIT TO" button next one of our SAF-HOLLAND ordering specialist.

USA

Debbie
Doremire

CANADA

Jim Visser