

ORDERING GUIDE - AFTERMARKET

USA
SAF-HOLLAND, Inc.
800.876.3929

CANADA
SAF-HOLLAND, Canada Ltd.
519-537-2366



ULTRALITE™ and ULX40 SERIES Tandem Slide Suspension with Drum or Disc Brake Axle

Ordering Guide Information: **PLEASE DOWNLOAD THIS FORM BEFORE COMPLETING.**

This form is designed to collect all necessary information about the suspension application requirements to help determine the appropriate Ultralite™ and ULX40 Series configuration for the trailer build.

For application and selection information, please reference our [Trailer Mechanical Suspensions Application Guide](#).

If you have any questions regarding this document, please feel free to contact SAF-HOLLAND Customer Service at 1.800-876-3929

- Please complete all of the information requested on this ordering guide by filling in all appropriate fields.
- After submitting, print a copy of this ordering guide for your records, by clicking the "PRINT FORM" button.
- To clear the form, click the "CLEAR FORM" button.

How-To Submit This Ordering Guide:

Submit completed ordering guide by clicking the "EMAIL" button next one of our SAF-HOLLAND ordering specialist.

SUBMIT FORM TO:

USA

Debbie Doremire

CANADA

Jim Visser

Matt Tubbe

GENERAL INFORMATION

CUSTOMER INFORMATION

Date:	Estimated Trailers for this Specification:	
Company Name:	Contact Name:	
Street Address:		
City:	State/Province:	Zip Code/Postal Code:
Telephone:	Fax:	E-Mail:

END USER INFORMATION

Company Name:	Contact Name:	
Street Address:		
City:	State/Province:	Zip Code/Postal Code:
Telephone:	Fax:	E-Mail:

SLIDER/SUSPENSION CONFIGURATION

FIXED PORTION OF CONFIGURATION

Slide Pin Extractor: Qwik Release®

Axle Spread: 49 inches

Capacity: 40,000 lb.

OPTIONAL PORTION OF CONFIGURATION

Suspension Model:

Ultralite™ Tandem

Standard 5 Year Warranty without Axles

10 Year DuraSystem® Warranty without Axles

ULX40 Tandem

10 Year DuraSystem® with SAF Axles

Box Width: 42" Nominal, see Image B

48" Nominal, see Image B

Box Height: 8" Nominal

10" Nominal, see Image A

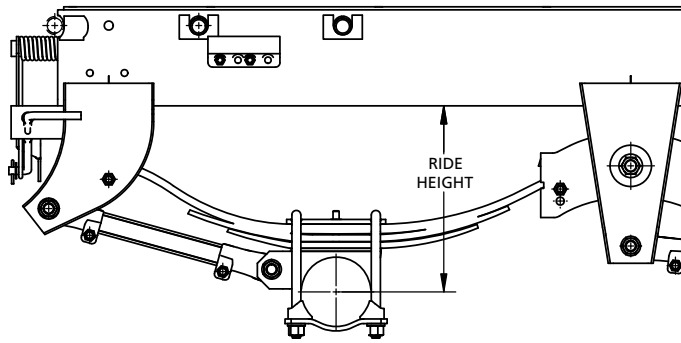
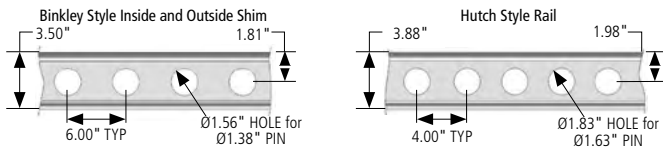
ORDERING GUIDE - AFTERMARKET

ULTRALITE™ and ULX40 SERIES

TANDEM SLIDE SUSPENSION WITH DRUM OR DISC BRAKE AXLE

SLIDER/SUSPENSION CONFIGURATION (Continued)

REFERENCE IMAGES



NOTE: Ride height is the nominal unloaded distance from the center line of the axle to the bottom of the slide box. It is recommended that a minimum of 4-1/2" of vertical clearance be maintained above the tires with the trailer in an unloaded conditions.

OPTIONAL PORTION OF CONFIGURATION

Body Rail Style: 1.375" (Binkley Style) Outside Shim
 (See Image to left)
 1.375" (Binkley Style) Inside Shim
 1.625" (Hutch™ Style) Outside Shim

Pin Configuration: 12" Spacing 72" Spacing, see Image A

Spring Type/Ride Height:

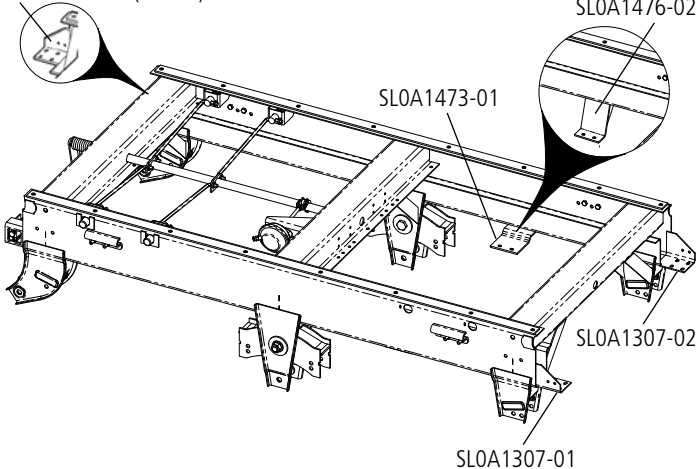
SAF Composite Spring	14.00"	14.50"	14.75"	15.00"	15.50"	16.00"	16.50"
354 High Arch Three Leaf Steel Spring	15.50"	16.00"	16.25"	16.50"	17.00"	17.50"	18.00"
355 Medium Arch Three Leaf Steel Spring	14.00"	14.50"	14.75"	15.00"	15.50"	16.00"	16.50"
356 Low Arch Three Leaf Steel Spring	13.25"	13.75"	14.00"	14.25"	14.75"	15.25"	15.75"
365 High Arch HD Three Leaf Steel Spring	15.50"	16.00"	16.25"	16.50"	17.00"	17.50"	18.00"
365-01 Low Arch HD Three Leaf Steel Spring	13.25"	13.75"	14.00"	14.25"	14.75"	15.25"	15.75"
324 High Arch Two Leaf Steel Spring	15.50"	16.00"	16.25"	16.50"	17.00"	17.50"	18.00"
325 Medium Arch Two Leaf Steel Spring	14.00"	14.50"	14.75"	15.00"	15.50"	16.00"	16.50"
326 Low Arch Two Leaf Steel Spring	13.25"	13.75"	14.00"	14.25"	14.75"	15.25"	15.75"
360 High Arch Single Leaf Steel Spring	15.50"	16.00"	16.25"	16.50"	17.00"	17.50"	18.00"
363 Low Arch Single Leaf Steel Spring	13.25"	13.75"	14.00"	14.25"	14.75"	15.25"	15.75"

BRACKET CONFIGURATION

REFERENCE IMAGES

SL0A1307-01 (hidden)

Optional Bracket View
SL0A1476-02



OPTIONAL PORTION OF CONFIGURATION

Mud Flap Brackets:

Order Part No. SL0A1307-01 (QTY 1)
 (Specify Quantity Required)
 Order Part No. SL0A1307-02 (QTY 1)
 (Specify Quantity Required)

Stinger Brackets:

Order Part No. SL0A1307-01 (QTY 1)
 (Specify Quantity Required)

Air Tank Brackets:

Order Part No. SL0A1473-01 (QTY 1)
 (Specify Quantity Required)

OPTIONAL 6.25" Drop Bracket:

Order Part No. SL0A1476-02 (QTY 2)
 (Specify Quantity Required)

IF ORDERING ULTRALITE™ STOP!

ORDERING GUIDE - AFTERMARKET



ULTRALITE™ and ULX40 SERIES

TANDEM SLIDE SUSPENSION WITH DRUM OR DISC BRAKE AXLE

ULX40 DRUM BRAKE AXLE CONFIGURATION (Complete Drum or Disc Brake Section as Required)

FIXED PORTION OF CONFIGURATION	OPTIONAL PORTION OF CONFIGURATION
Drum Brake	Spindle: Tapered Parallel
Brake Shoe/Lining: SAF Holland Standard	Dual/Wide Base Single: Dual Wide Base Single*
Extended Life Linings	* NOTE: 2" outset not approved for tapered axle. See XL-AA20005WI-en-US for axle derating.
Axle Rating: 20,000 lb (2 axles)	Brake Size: 16.5" x 7" 16.5" x 8-5/8"
Tire Inflation System: 3-Hole, Drilled and tapped w/plugs	OPTIONS SOLD SEPARATELY
S-Cam: 28 Spline Standard, Medium Length	Cam Enclosures: (Cam Enclosure Retrofit Kit - Medium Cam)
NOTE: Box Width determines Axle Track & Spring Centers 42" Box Width = 71.5" Axle Track & 38" Spring Center 48" Box Width = 77.5" Axle Track & 44" Spring Center	Order Part No. 51830030 (QTY 2) (Specify Quantity Required)

DRUM BRAKE WHEEL END CONFIGURATION

FIXED PORTION OF CONFIGURATION	OPTIONAL PORTION OF CONFIGURATION
Hub Material: Ductile Iron	Lube Type: SAE 80/90 Oil Semi-Fluid
Autom. Slack Adjuster: Standard 5.5"	OPTIONS SOLD SEPARATELY
Spindle Nut: ZipTorq®	ABS Sensors (Standard 400mm Lead Length) Yes No
Drum Material: Cast	Wheel Fasteners: (Flange Nut, M22 x 1.5)
Bearing: Standard	Order Part No. 04247301201 (20 needed per axle) (Specify Quantity Required)
Wheel Fasteners: 2 Ship Nuts	Dust Shields (Dust Shield Kit):
Hubcap Type: Standard Bolt-On	Order Part No. 03005023500Z (2 Needed Per Axle) (Specify Quantity Required)
Brake Chamber: Standard 30/30, 2.5" Stroke	
Hub Style: Hub Piloted	
Seal: Standard Spindle Mount	
Stud Length: Long	

DISC BRAKE AXLE CONFIGURATION & (Complete Drum or Disc Brake Section as Required)

FIXED PORTION OF CONFIGURATION	OPTIONAL PORTION OF CONFIGURATION
Disc Brake - 22.5"	New P89 - 5 Year Warranty
Axle Rating: 20,000 lb (2 axles)	Options: Spindle: Tapered Parallel
Tire Inflation System: 3-Hole, Drilled and tapped w/ plugs	Lube Type: SAE 80/90 Oil Semi-Fluid Grease
ABS Sensors: (400 mm Lead Lengths) Installed on axles	P89 Plus - 7 Year Warranty *Only available with SAF compact bearing and parallel spindle.
Rim Brand/Type: Important clearance information located in XL-SA10070WI.	OPTIONS SOLD SEPARATELY
NOTE: Box Width determines Axle Track & Spring Centers 42" Box Width = 71.5" Axle Track & 38" Spring Center 48" Box Width = 77.5" Axle Track & 44" Spring Center	Wheel Fasteners: (Flange Nut, M22 x 1.5) (20 needed per axle) Order Part No. 04247301201 (Specify Quantity Required)
NOTE: All disc brake axles come with wheel end components	Dust Shields (Dust Shield Kit): (2 Needed Per Axle) Order Part No. 1022300000040 (Specify Quantity Required)



ORDERING GUIDE - AFTERMARKET

ULTRALITE™ and ULX40 SERIES

TANDEM SLIDE SUSPENSION WITH DRUM OR DISC BRAKE AXLE

DIMENSIONAL VIEWS

ULX40 (conventional spring and drum brake shown)
All Dimensions Are Reference

IMAGE A

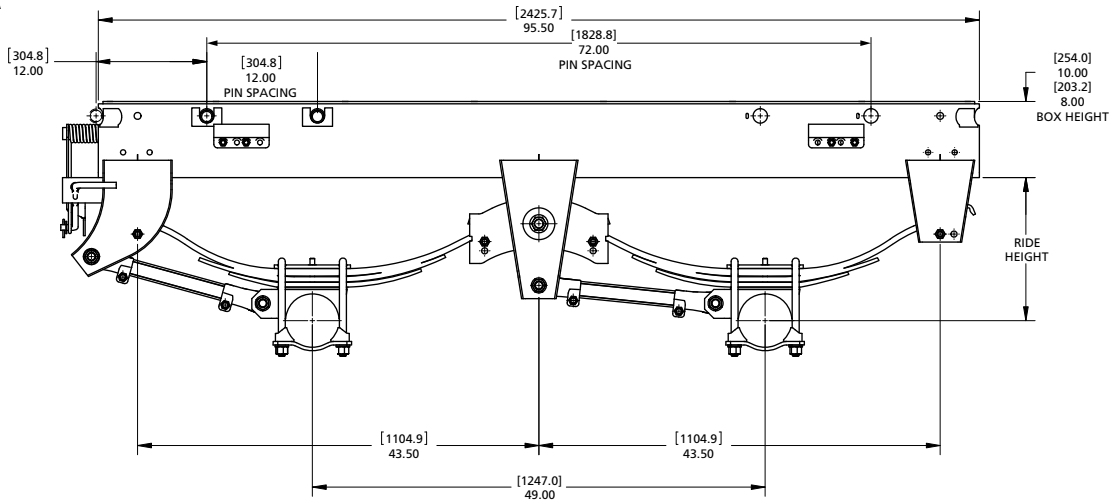
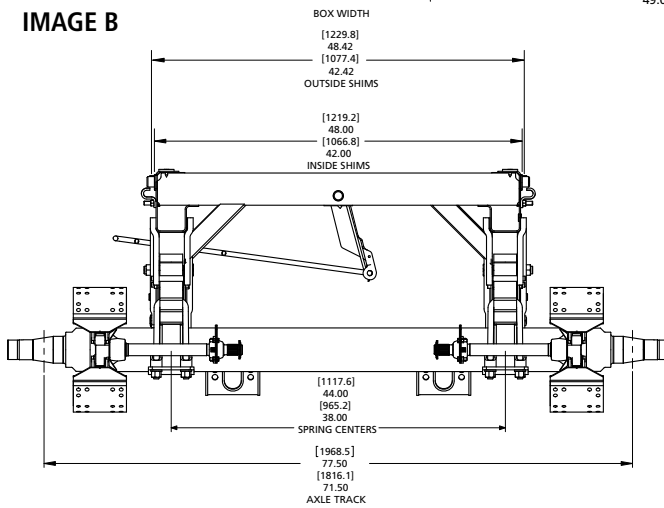
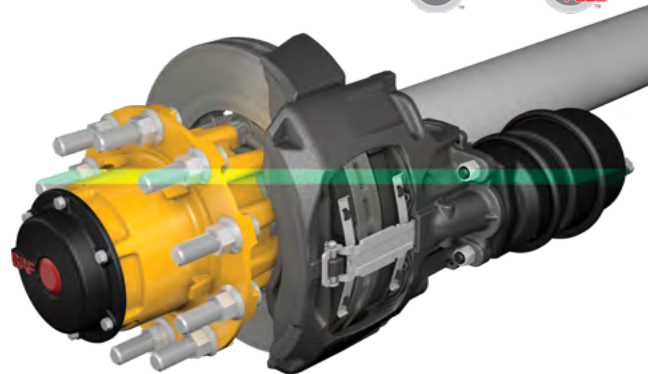


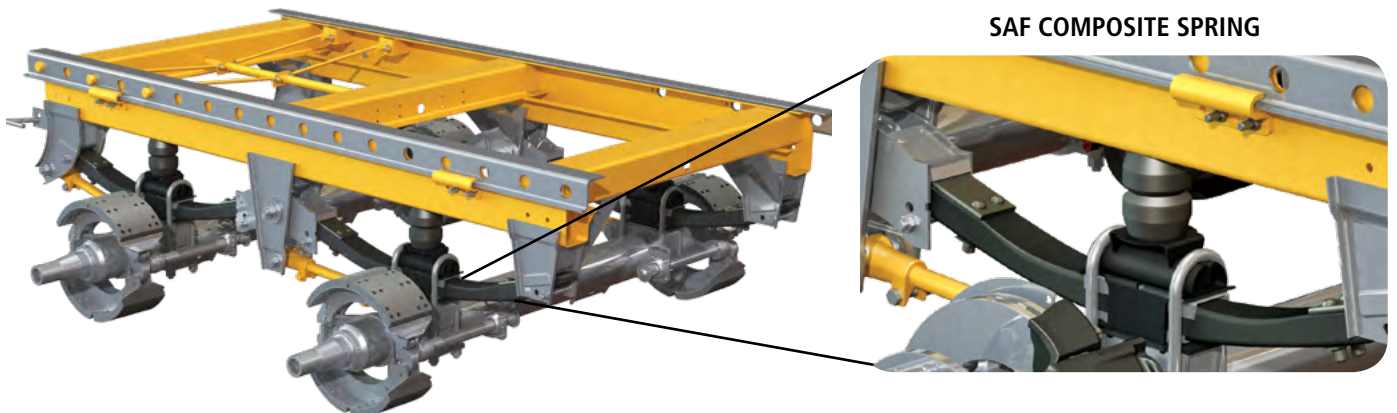
IMAGE B



SAF P89 DISC BRAKE - **P89** OR **P89 PLUS**



SAF COMPOSITE SPRING



ULX40 WITH SAF-HOLLAND AXLES