

All SAF-HOLLAND® (Binkley) Mechanical Suspension Systems – 5.75" Outside Diameter (O.D.) Axle Connection

Effective: February 2020

Attention

With the growth of our 5.75" O.D. mechanical axle production, SAF-HOLLAND® will now be providing two lower axle clamp designs depending on manufacturing location and part availability. This change will be implemented February 2020.

The change should be seamless to the OEM production line and Aftermarket as fit, form and function remains the same and will not require any high level part number changes at the OEM level. Only the alternate clamp bracket part number is new.

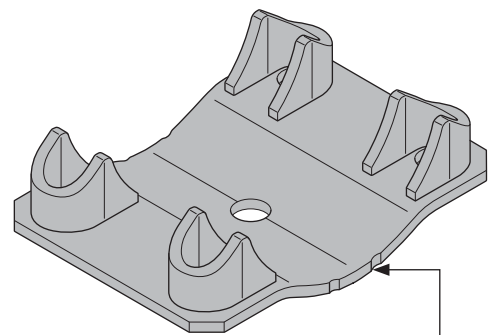
SAF-HOLLAND will try to ensure that the lower axle clamp brackets will not be mixed on any single or tandem axle assemblies. This is only for uniformity concerns. Mixing of the current and new, alternate brackets will not jeopardize functional integrity.

Please contact your SAF-HOLLAND OEM Account manager for more details.

The physical changes to the clamp bracket can be visually identified per the images to the right.

Current Bracket Design

Part Number: SP0398



Brackets Can be used interchangeably. Mixing will not jeopardize functional integrity.

New, Alternate Bracket Design

Part Number: 90001891

