

Important Info – October 2016

Air Cushion Pintle Hook 2-Hole Air Chamber Bracket Design Update

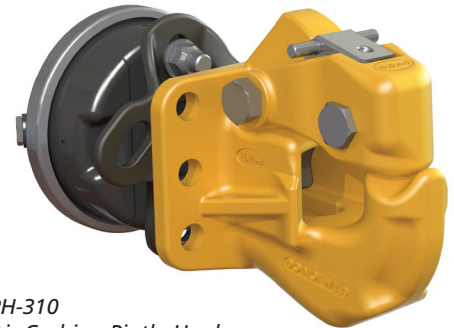
Product Change Notice for Air Chamber Brackets used in PH-200, 210, 300, 310, 400, 409, 410, 419 and 550 Air Cushion Pintle Hooks

Effective October 2016

Product Change:

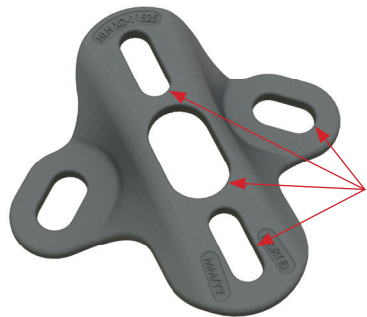
This Air Chamber Bracket design change has been implemented to ensure proper alignment of the air chamber in the bracket. If the chamber is misaligned, it can cause binding and chamber damage. The revised design allows for quick verification of proper bracket location.

The Air Chamber Bracket will come configured for use in the PH-300, 310, 400, 409, 410, 419, and 550. To reconfigure for the PH-200 or PH-210 models, you will have to perform the following: Remove the nuts and washers holding the air chamber to the bracket. Lift the air chamber stud out of the square hole in the bracket and reposition it over to the round hole in the bracket. Reinstall the nuts and washer over the studs and tighten to approximately 100 ft. lbs.



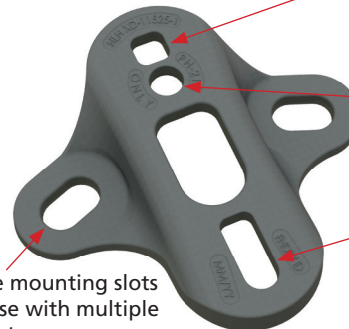
PH-310
Air Cushion Pintle Hook
shown for reference

CURRENT STYLE AIR CHAMBER BRACKET



Round slots for adjustment over multiple hook types.

NEW STYLE AIR CHAMBER BRACKET



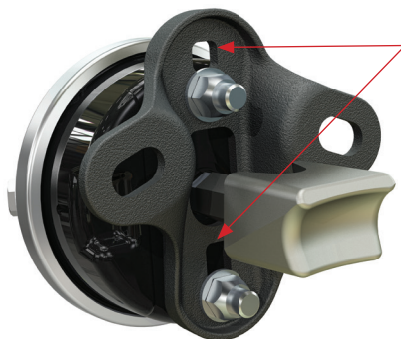
Square hole for use with PH-300, 310, 400, 409, 410, 419 and 550 pintle hooks.

Round hole for use with PH-200, 210 pintle hooks.

Studs in air chambers are not always pressed in straight so a slot in one end keeps installation simple.

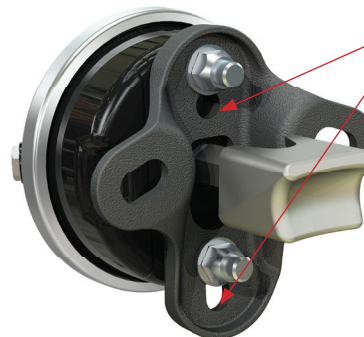
Same mounting slots for use with multiple hook types.

NEW STYLE AIR CHAMBER BRACKET SETUP FOR PH-200, 210 PINTLE HOOKS



If the square is visible when assembled, then bracket is setup for use with PH-200, 210 series hooks.

NEW STYLE AIR CHAMBER BRACKET SETUP FOR PH-300, 310, 400, 409, 410, 419 AND 550 PINTLE HOOKS



If round holes are visible when assembled, then bracket is setup for use with PH-300, 310, 400, 409, 410, 419 and 550 series hook.