



COUPLER PRODUCTS

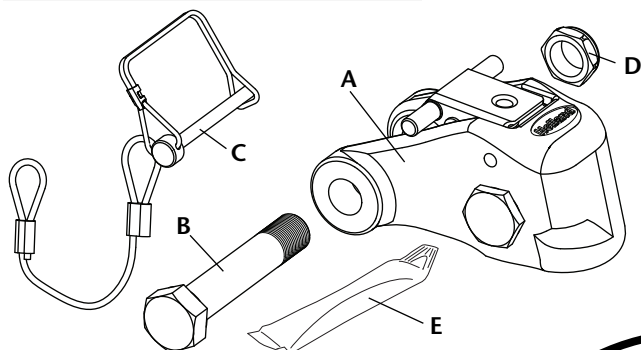
LATCH REPLACEMENT PROCEDURE



RK-10545-1

For all PH-310 / PH-410 and PH-775 NoLube Series Pintle Hooks With a Pin and Lanyard

VERIFY KIT CONTENTS

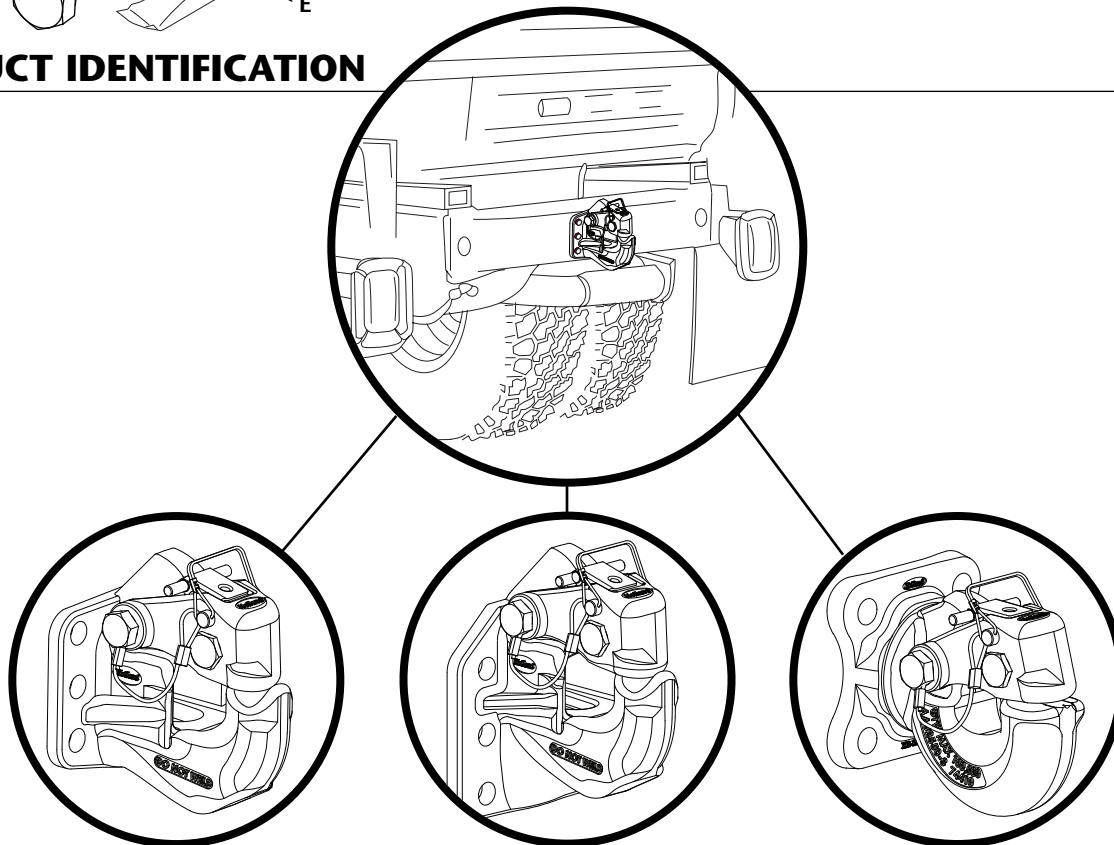


Kit Contains:

ITEM	PART NO.	QTY
A	XA-10545-3	1
B	XB-10537	1
C	XB-S10647	1
D	XB-03104	1
E	Never-Seez®	1

Never-Seez® is a registered trademark of Bostik, Inc.

PRODUCT IDENTIFICATION



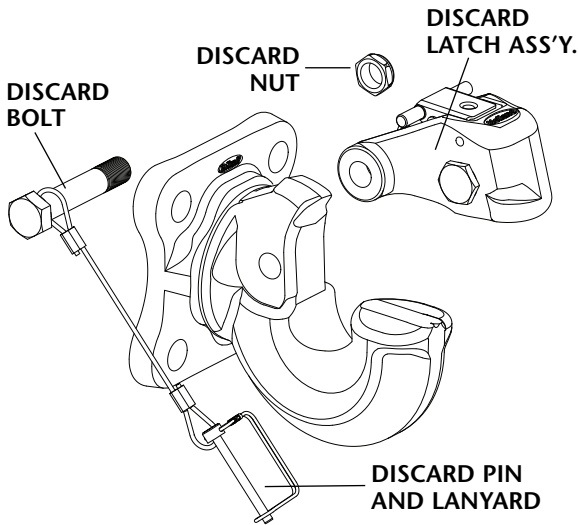
PH-310 SERIES HOOKS
For additional information, reference XL-PH341-ES

PH-410 SERIES HOOKS
For additional information, reference XL-PH342

PH-775 SERIES HOOKS
For additional information, reference XL-PH339-ES

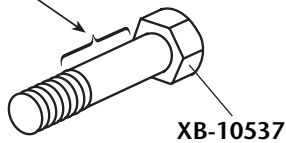
PROCEDURE

1. Remove and discard the nut, pivot bolt, and latch assembly, and pin and lanyard.



2. Apply Never-Seez® to entire shaft of the new pivot bolt (not on threads).

CLEAN THE BOLT AND APPLY NEVER-SEEZ® HERE

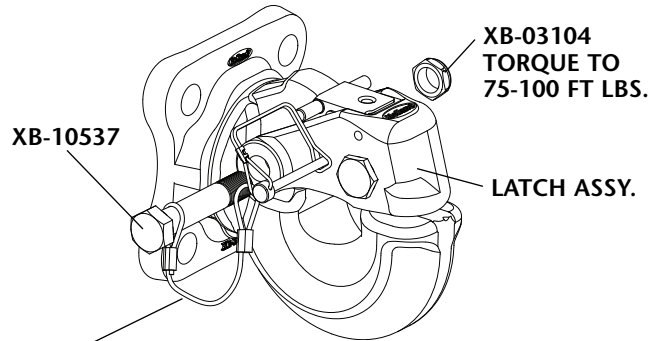


3. Install the new latch assembly using the new pivot bolt and nut.

Torque Specifications:

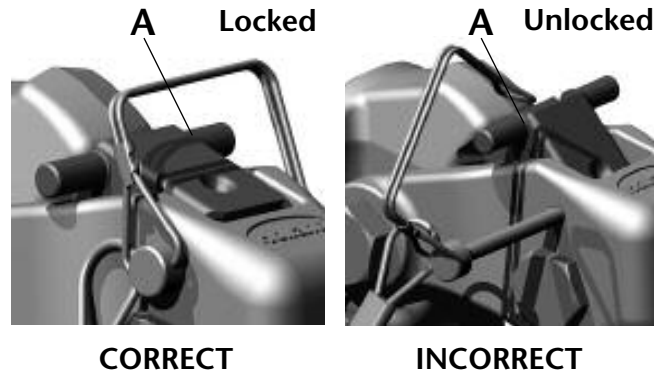
Torque the lock nut (XB-03104) to 75-100 ft-lbs.

WARNING DO NOT reinstall a removed lock nut. Always install a new lock nut when removing or replacing latch assembly. A reinstalled nut may not retain properly and could result in an unintended trailer separation.



XB-S10647 PIN AND LANYARD: INSTALL LANYARD LOOP SUCH THAT IT IS ORIENTED WITH BOLT HEAD (AS PICTURED)

4. Check the latch for proper operation. It should open and close freely. When closed, the lock handle (A) will rotate and move up until it is flush with the top of the latch.



The tertiary lock pin should fit without restriction through the holes in the latch (see illustrations above).



SAF-HOLLAND USA, Inc.
888.396.6501 Fax 800.356.3929

SAF-HOLLAND Canada, Ltd.
519.537.3494 Fax 800.565.7753
Western Canada
604.574.7491 Fax 604.574.0244

SAF-HOLLAND International, Inc.
616.396.6501 Fax 616.356.1511