

Drawbar Guides Installation Instructions

For PH-200/210, PH-300/310 and PH400/410

Series Pintle Hook

XA-0255 (Right), XA-02556 (Left)

General Information

1. DO NOT modify or add to the product
2. Wear safety goggles during installation and removal.
3. NEVER strike any part of the item with a steel hammer.
4. DO NOT weld on this product, other than as directed for installation.

This product is covered by HOLLAND's Commercial Products Warranty. HOLLAND reserves the right, without giving prior notice, to change specifications and dimensions as designs are altered or improved.

Mounting

1. Verify there is adequate clearance to install and inspect the drawbar guides. Review drawing on reverse side.
2. The mounting structure must be of sufficient strength to support the additional stresses and loads imparted on the structure during the product operation.
3. Position drawbar guides as shown on reverse side. Vertical position is taken from the bottom of the horn to the bottom of the tube. Horizontal position is taken from the centerline of the hook to the inside edge of the tube.

The Guides are now pre-welded at the proper angle. Weld the tubes parallel and perpendicular to the mounting surface. No need to angle guides at assembly. Guides are also properly paced horizontally so the latch can be replaced if needed without removal.

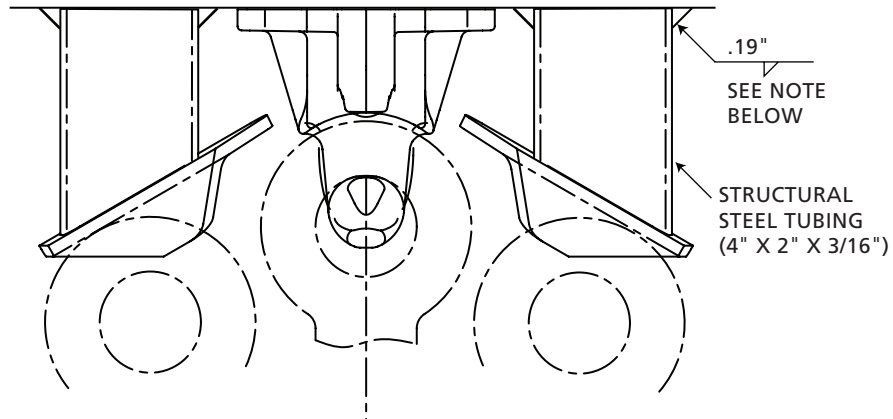
4. Remove a minimum of one (1) inch of paint from the drawbar guide tube where it will be welded to the vehicle. Install drawbar guides with a continuous 3/16" (.19") Fillet weld. Refer to drawing on reverse side.
5. Verify the weld size and integrity before placing vehicle in service.

WARNING

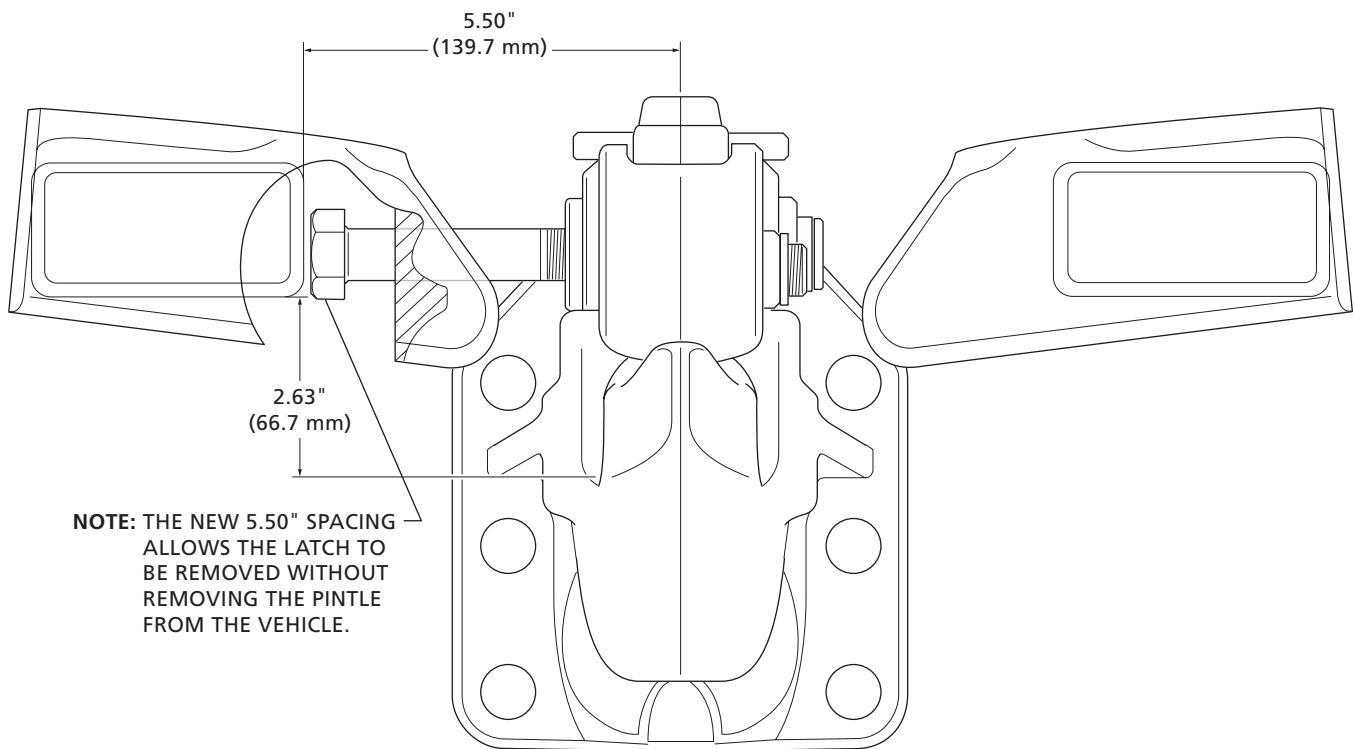
When welding, use a procedure which assures a sound, good quality weld which protects the welding operator and others. Over-welding may cause distortion and damage. Under-welding may not develop sufficient strength. A low hydrogen process and AWS EX70XX filler metal are recommended. Take precautions to ensure that the vehicle electrical system is not damaged by the welding.

Installation Instruction

XA-02555
XA-02556



NOTE: FILL PERIMETER (3/16") FILLET WELD REQUIRED TO DEVELOP MAXIMUM STRENGTH.



ALL DIMENSIONS SHOWN ARE NOMINAL