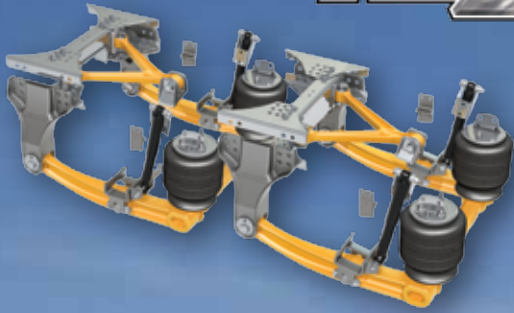


NEWAY<sup>®</sup>

ADZ



**NEWAY**<sup>®</sup>

**ADZ**

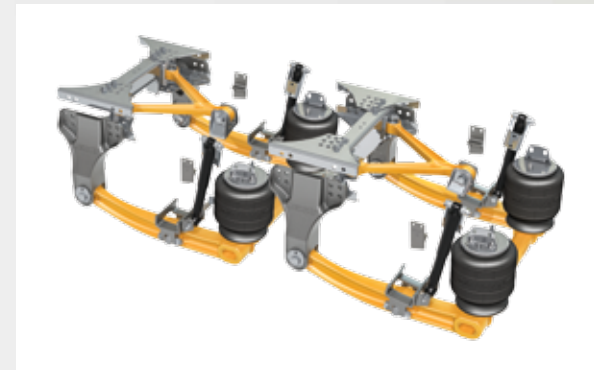
HEAVY-DUTY DRIVE AXLE SUSPENSION – **TOUGH MEET TOUGHER**

The NEWAY ADZ Suspension Series. From the company that pioneered air-ride suspensions for the heavy-duty truck market over fifty years ago comes the most innovative air-ride suspension technology. The ADZ Series carries on the NEWAY heritage of the industry's toughest air-ride suspension, now with new design versatility, making it light enough for over-the-road applications.

**TOUGHER** – Designed to improve durability and performance in the toughest environments.

**LIGHTER** – Design sheds an incredible 240 lbs. per axle without sacrificing durability and reliability to increase payload and improve operating efficiency.

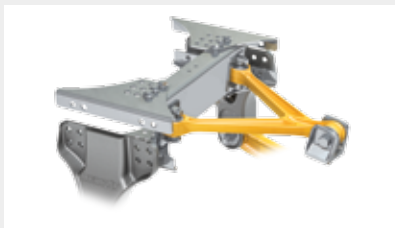
**MORE STABILITY** – Increases roll stability by 27% compared to the proven AD series, while providing superior handling.



**ADZ HEAVY-DUTY DRIVE AXLE AIR SUSPENSION**



Learn More About  
the ADZ Suspension



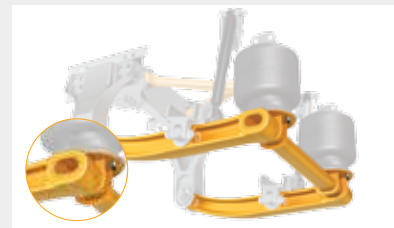
**THE LIGHTEST 100% OFF-ROAD AIR SUSPENSION**

*Simplified, light weight V-Rod upper control arms design replaces torque and track arms for enhanced durability and performance.*



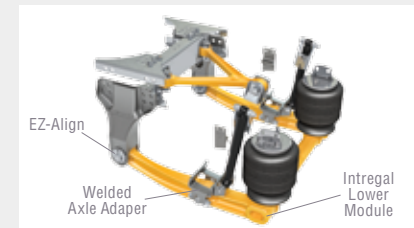
**THE TOUGHEST 100% OFF-ROAD AIR SUSPENSION**

*Innovative one-piece design lower module utilizes the same proven cast steel technology found in HOLLAND fifth wheels for an incredibly strong, yet light weight design.*



**HANDLE WITH CONFIDENCE ON CORNERS AND UNEVEN TERRAIN**

*One-piece lower control module design eliminates bushings for consistent and unmatched roll stability. By providing a linear roll rate, the ADZ raises the performance bar for high center of gravity loads.*



**REDUCED OPERATING AND MAINTENANCE COSTS**

*The V-Rod, Integral Lower One-Piece Module and EZ-Align provide a simplified design that reduces maintenance.*



**PACCAR FINANCIAL**

PACLEASE & PACCAR FINANCIAL PLANS TAILORED TO YOUR NEEDS.



XL-PS20007SL-en-US Rev C



PRINTED IN U.S.A. • FOR MORE INFORMATION, CALL 1-800-552-0024 • BUCKLE-UP FOR SAFETY

