

Service Bulletin

LSZ13 Suspensions

LSZ13 Crossmember Identification

November 2015

Introduction

Effective October 1, 2015, the NEWAY LSZ13 auxiliary axle has been updated with an improved crossmember system. The following procedures provide the necessary information to properly identify and order the correct LSZ13 crossmember service kits.

We recommend only the use of SAF-HOLLAND® Original Parts.

NOTE: A list of SAF-HOLLAND® technical support locations that supply SAF-HOLLAND® Original Parts can be found on our website at www.safholland.us or contact SAF-HOLLAND® Customer service Group at 888-396-6501.

Identification

Table 1 describes three (3) ways to identify the crossmember. The date of manufacture and serial number can be found on the suspension's serial tag, located on the front face of the roadside frame bracket (**Figure 1**). **Figures 2 and 3** show the visual differences between the crossmember versions.

Table 1

CROSSMEMBER IDENTIFICATION		
DATE	Manufactured Before October 1, 2015	Manufactured After October 1, 2015
S/N	61131930133 - 61152440000	61152440001 -
DESCRIPTION	No 3/4" Bolts on Front Face of Crossmember (Figure 2).	Four 3/4" Bolts on the Front of the Crossmember. One Per Corner (Figure 3).

Service

Service kits for each version of the crossmember are shown on pages 3 and 4. Installation procedures are detailed in LSZ13 Maintenance and Repair Manual, XL-PS20011MM-en-US

Figure 1

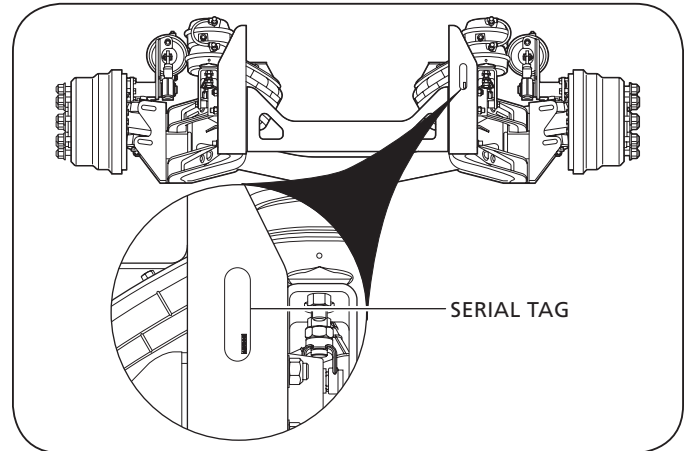


Figure 2

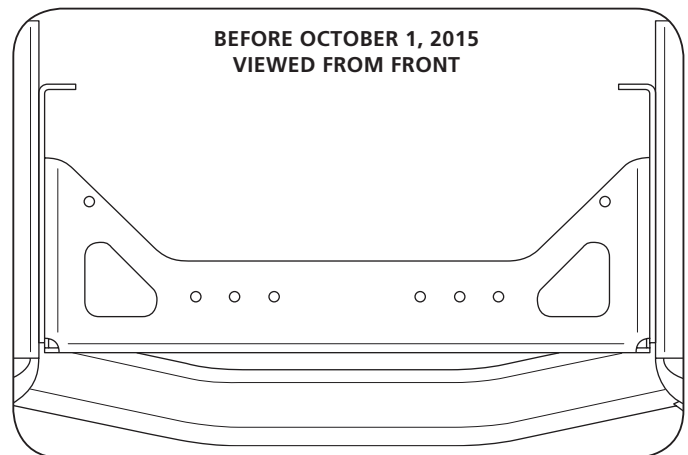
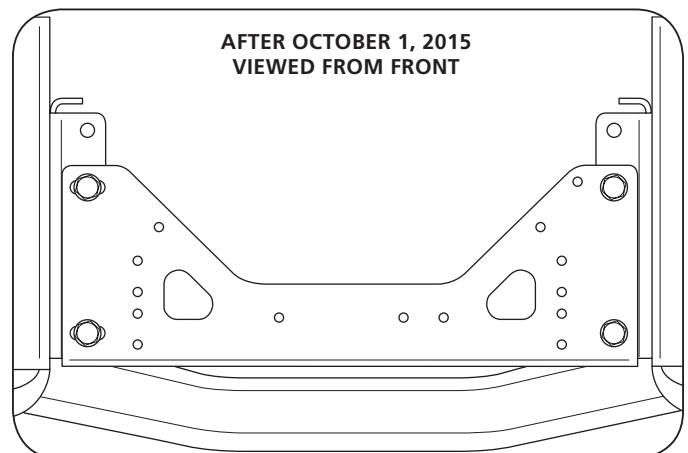
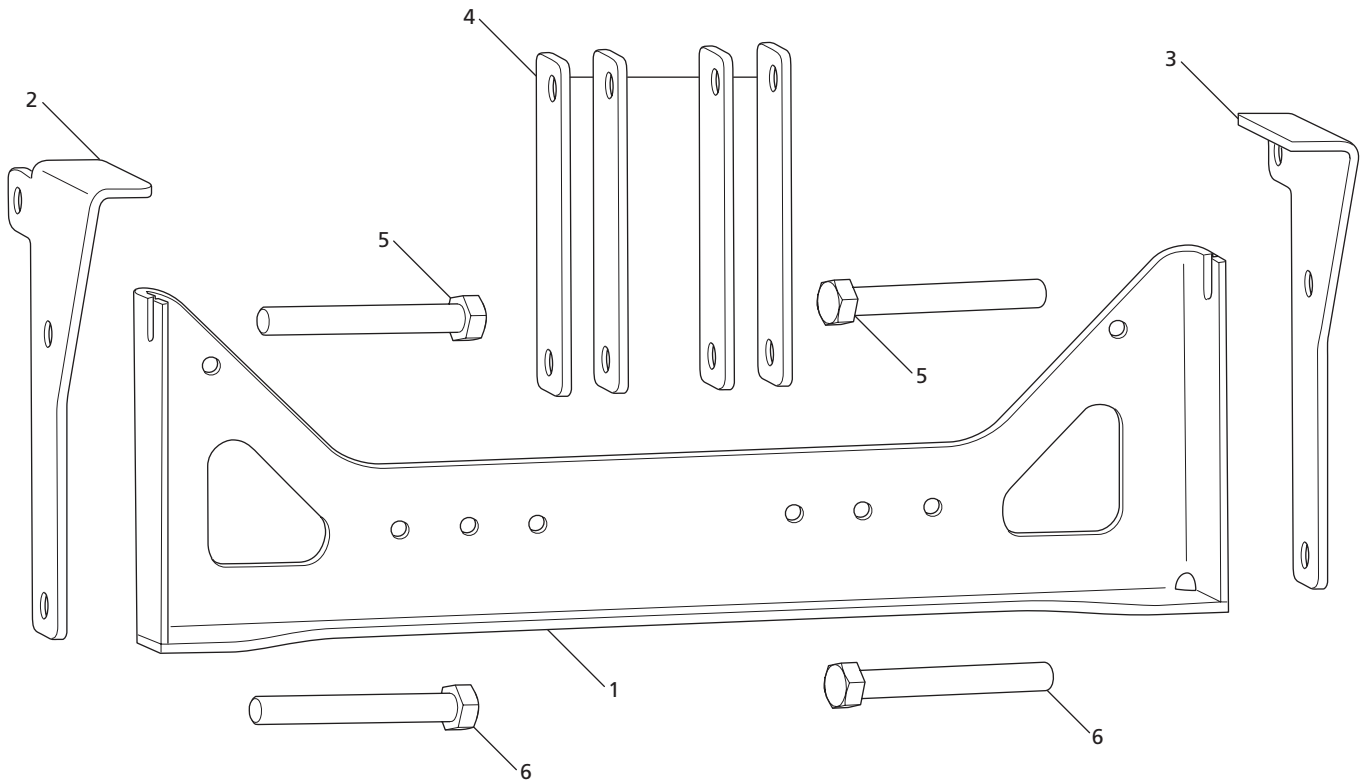


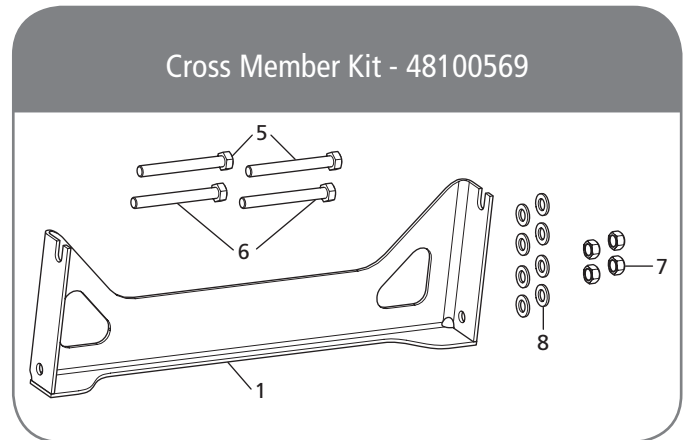
Figure 3

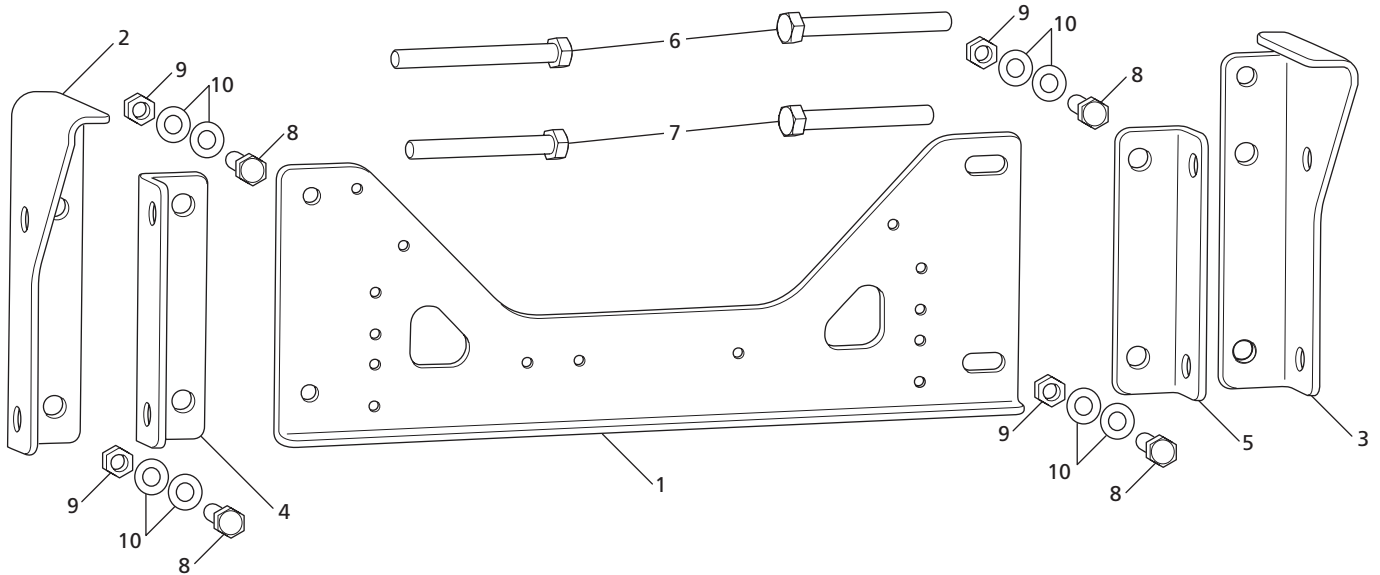




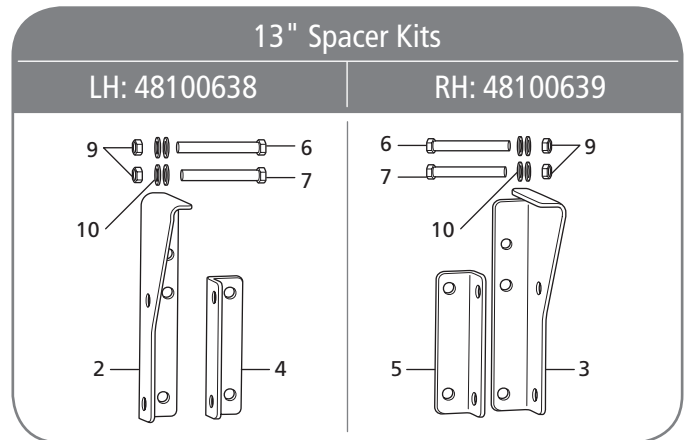
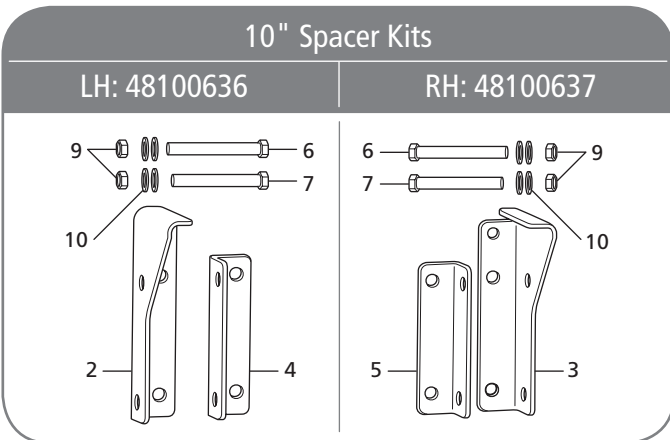
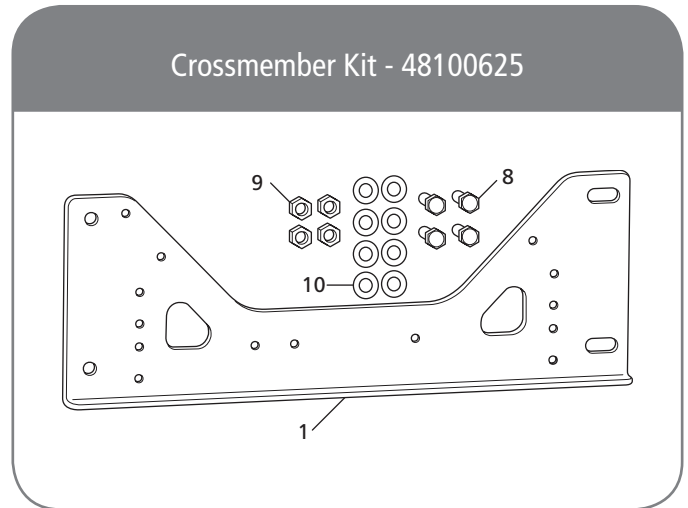
LSZ13 CROSSMEMBER, BEFORE OCTOBER 1, 2015*			
ITEM.	DESCRIPTION	PART NUMBER	QTY.
1	Crossmember	90026642	1
2	Shelf Bracket, Left-Hand -10"	90026726	1
	Shelf Bracket, Left-Hand -13"	90026728	1
3	Shelf Bracket, Right-Hand -10"	90026725	1
	Shelf Bracket, Right-Hand -13"	90026727	1
4	Spacer	90034902	4
5	Cap Screw, Hex 0.75-10 x 6.75" GR8	93003677	2
6	Cap Screw, Hex 0.75-10 x 6.50" GR8	93003671	2
7	Nut, Hex, Lock, 3/4-10 GR C	93400494	4
8	Washer, Flat, Narrow, 3/4	93600156	8

*Discontinued model, service parts only. Please contact Customer Service for part availability at 800-876-3929.





LSZ13 CROSSMEMBER, AFTER OCTOBER 1, 2015			
ITEM.	DESCRIPTION	PART NUMBER	QTY.
1	Crossmember	90026901	1
2	Shelf Bracket, Left-Hand -10"	90026916	1
	Shelf Bracket, Left-Hand -13"	90026928	1
3	Shelf Bracket, Right-Hand -10"	90026917	1
	Shelf Bracket, Right-Hand -13"	90026929	1
4	Spacer Wrapper, Left-Hand	90026920	1
5	Spacer Wrapper, Right-Hand	90026921	1
6	Cap Screw, Hex 0.75-10 x 7.00" GR8	93003683	2
7	Cap Screw, Hex 0.75-10 x 6.00" GR8	93003659	2
8	Cap Screw, Hex 0.75-10 x 2.00" GR8	93003563	4
9	Nut, Hex, Lock, 0.75-10 GR C	93400494	4
10	Washer, Flat, Narrow, 0.75	93600156	8





From fifth wheel rebuild kits to suspension bushing repair kits, SAF-HOLLAND Original Parts are the same quality components used in the original component assembly.

SAF-HOLLAND Original Parts are tested and designed to provide maximum performance and durability. Will-fits, look-alikes or, worse yet, counterfeit parts will only limit the performance potential and could possibly void SAF-HOLLAND's warranty. Always be sure to spec

SAF-HOLLAND Original Parts when servicing your SAF-HOLLAND product.

SAF-HOLLAND USA • 888.396.6501 • Fax 800.356.3929

www.safholland.us

SAF-HOLLAND CANADA • 519.537.3494 • Fax 800.565.7753

WESTERN CANADA • 604.574.7491 • Fax 604.574.0244

www.safholland.ca

SAF-HOLLAND MEXICO • 52.55.5362.8743 • Fax 52.55.5362.8743

www.safholland.com.mx

info@safholland.com