

SAF Trailer Suspensions Equipped with INTEGRAL® Disc Brakes

Product Change Notice

Two Old Style Disc Brake Dust Shields Replaced with New Universal Style Dust Shield

Effective with shipments September 2013

Please Note:

SAF-HOLLAND is changing their disc brake dust shield design. Figure 1 shows the two old style dust shields that bolted directly to the caliper. These are being replaced with a new universal style. Figure 2 shows the new universal style which fastens directly to the axle with a band clamp.

The new style dust shield allows for ease of assembly without having to remove caliper bolts.

This universal design does not change form, fit or function.

Axle and suspension part numbers are not affected by this change.

The new dust shield is interchangeable with existing disc brake axles and is available individually or as a kit. Both old style dust shields are no longer available for purchase.

If you require additional information, please contact your local SAF-HOLLAND representative, or contact SAF-HOLLAND at the phone number at the bottom of this notice.

Figure 1

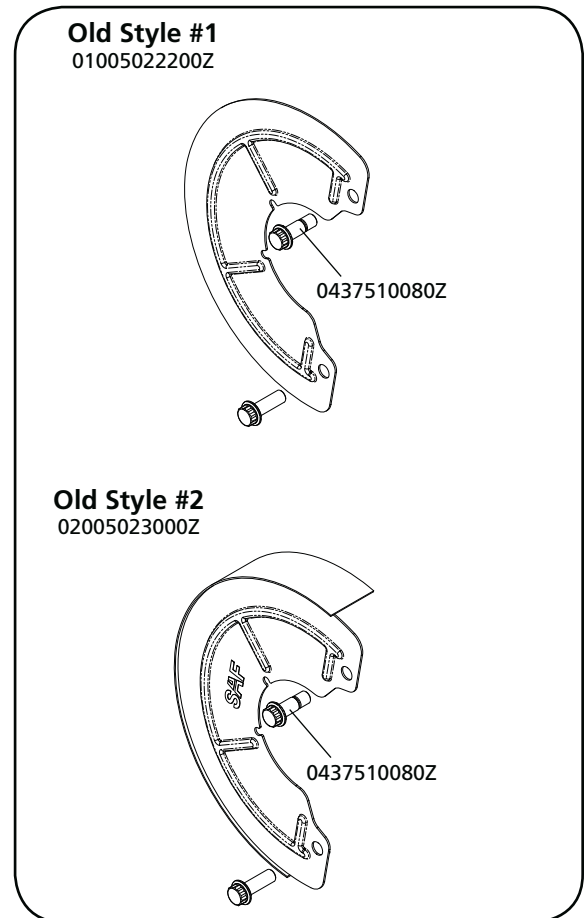


Figure 2

