

SAF INTEGRAL® Disc Brake Axle Systems

Product Change Notice for SAF INTEGRAL® Disc Brake Air Brake Chambers used on SAF CBX Series Suspensions

SAF-HOLLAND has made a product change to the INTEGRAL® Disc Brake Air Brake Chambers used on SAF CBX Series top mount suspensions.

Effective February 2016

Product Change:

SAF-HOLLAND announces a modification to the air brake chamber ports on all CBX suspension systems with INTEGRAL® disc brakes. Beginning July 2015, the service and parking brake ports will be configured per Table 1.

The new style air brake chambers can be installed on all existing disc brake systems. You may need to reconfigure your fittings and check brake hoses for proper length throughout the full articulation of the suspension (rebound and jounce).

This change results in the reduction of fittings and will have no effect on brake performance.

Important:

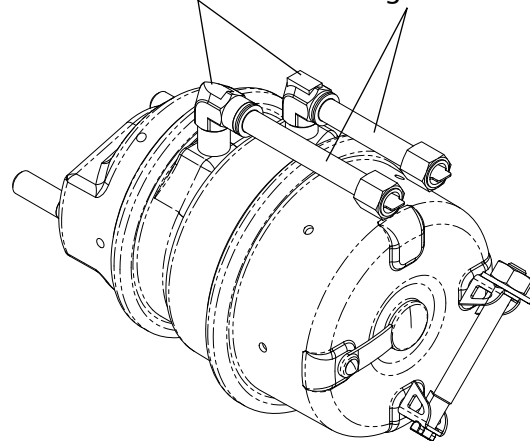
For instructions on replacing brake chambers, refer to SAF Brake Chamber Installation and Service Manual XL-SA10062IM available on the SAF-HOLLAND website www.safholland.us. All safety procedures contained in the Service Manual MUST be read and understood before starting any work on the suspension/axle.

16/24 CHAMBER

With Rigid Tubes

3/8-18 NPTF

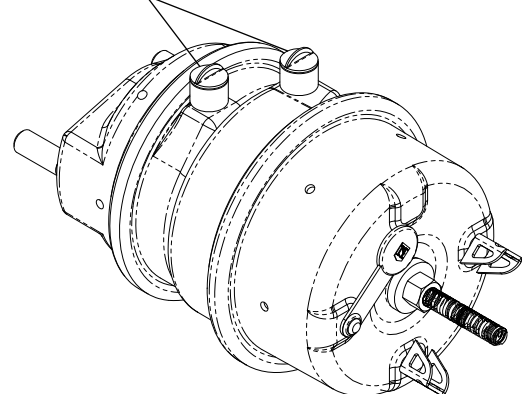
Rigid Extension Tubes



18/24 CHAMBER

With Threaded Ports Only

3/8-18 NPTF



Important Info (con't.)

Table 1

Service and parking brake ports configuration:

Model	Disc Brake Package	Chamber Size	Port Extensions	Notes	Part Number
CBX40	C88	TSE 16/24	Hard Line Extensions		04454109864
CBX40	P89	TSE 16/24	Hard Line Extensions		04454109864
CBX46	P89	TSE 18/24	Flexible Extensions Pre-Installed		2017300000220
CBX50	P89	TSE 18/24	Flexible Extensions Pre-Installed		2017300000220
CBX69	P89	TSE 18/24	Flexible Extensions Pre-Installed		2017300000220
CBX23, 25, 25/30	P89	TSE 18/24	No Extensions – Threaded Ports Only	Flexible Extension Kits available (no pre-install option)	04454115460
CBX23u, 25u, 25/30u	P89	TSE 18/24	Flexible Extensions Pre-Installed		2017300000220
CBX25y	P89	TSE 18/24	Flexible Extensions Pre-Installed		2017300000220
ULX40, ZFX40	C88	TSE 16/24	Hard Line Extensions		04454109864
ULX40, ZFX40	P89	TSE 16/24	Hard Line Extensions		04454109864

Kit for flexible extensions: 48100545