

# Product Change Notice

## SAF INTEGRAL™ Disc Brakes

### Disc Brake Head Unit Change

June 2012

SAF-HOLLAND is introducing a change to its SAF INTEGRAL™ trailer disc brake head unit (**Figure 1**).

The change is being implemented to accommodate a wider range of North American wheel rims. It is transparent on SAF supplied axles and axle/suspension systems. However, in order to facilitate implementation of this change, new axle and/or axle/suspension system part numbers will be, or have been, issued.

For axle or axle/suspension system part numbers, please contact your local SAF-HOLLAND representative or the appropriate SAF-HOLLAND location in your country at the phone number listed on the back cover of this notice.

**NOTE:** The change is subtle in appearance but does impact service component fit. Installation of the wrong head unit on your SAF INTEGRAL™ disc braked axle will result in the inability to install the caliper and pads over the disc brake rotor.

Replacement head units are available for the original SAF disc brake axle (Version 1), and for the new SAF disc brake axle (Version 2).

There is no change to the disc brake caliper or rotor.

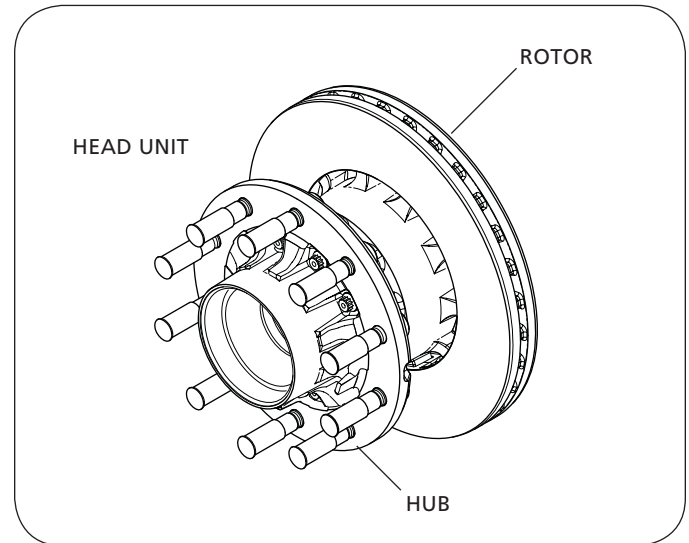
### Determining your Head Unit Part Number

Refer to Figure 2 and Table 1 below. Measure your stud length, Dimension "A" (**Figure 2**). This will determine whether your head unit has long wheel studs, or short wheel studs.

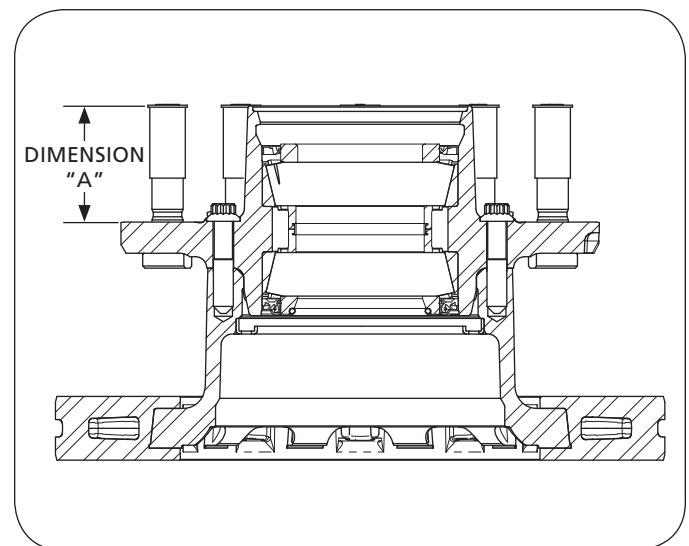
**Table 1**

HEAD UNIT STUD LENGTH	DIMENSION "A"	VERSION 1 PART NUMBER	VERSION 2 PART NUMBER
Short Wheel Studs	2.2" (56 mm)	03606304902Z	03606307602Z
Long Wheel Studs	3.2" (81 mm)	03606304901Z	03606307600Z
Hub Part Number		03307304901Z	03307307601Z

**Figure 1**



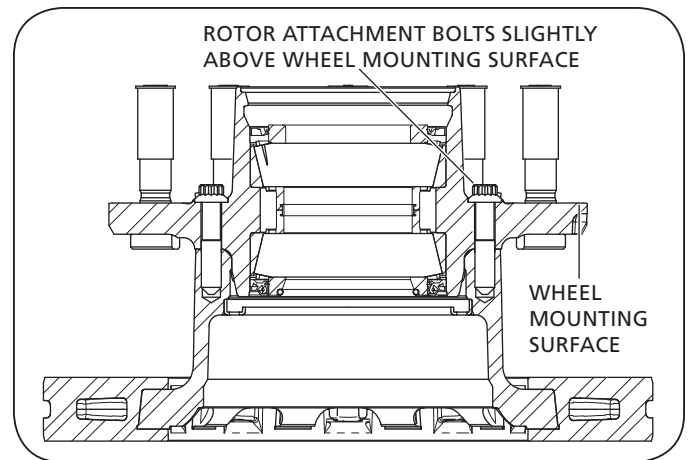
**Figure 2**



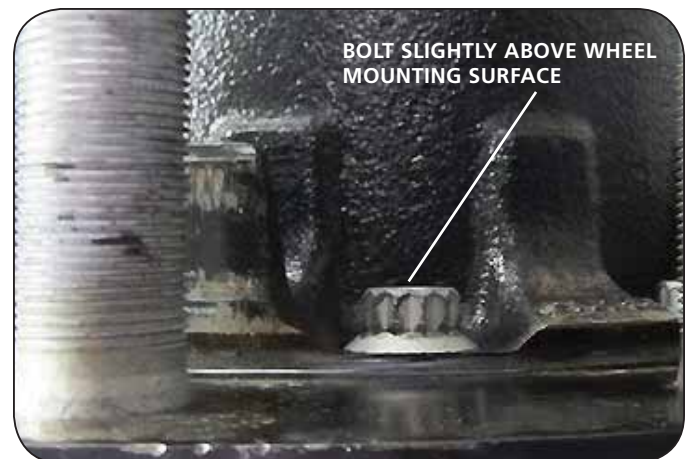
## Version 1 Head Unit Identification

Version 1 Head Units, the 12 point bolts that attach the rotor to the hub, are slightly above the wheel mounting surface (*Figures 3 and 4*).

**Figure 3**



**Figure 4**



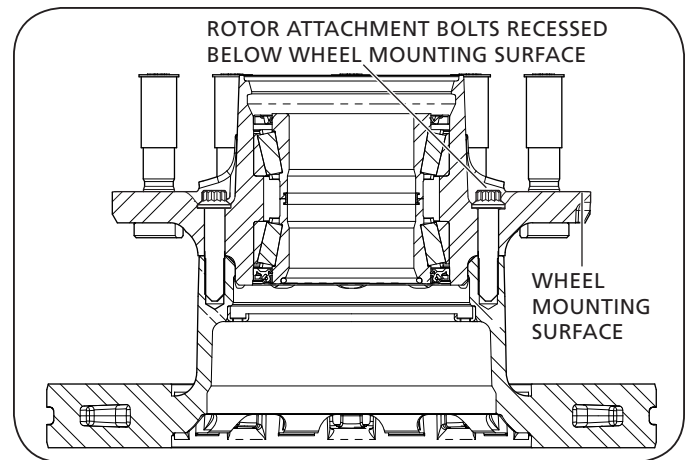
## Version 2 Head Unit Identification

Version 2 Head Units, the 12 point bolts that attach the rotor to the hub, are recessed below the wheel mounting surface (**Figures 5 and 6**).

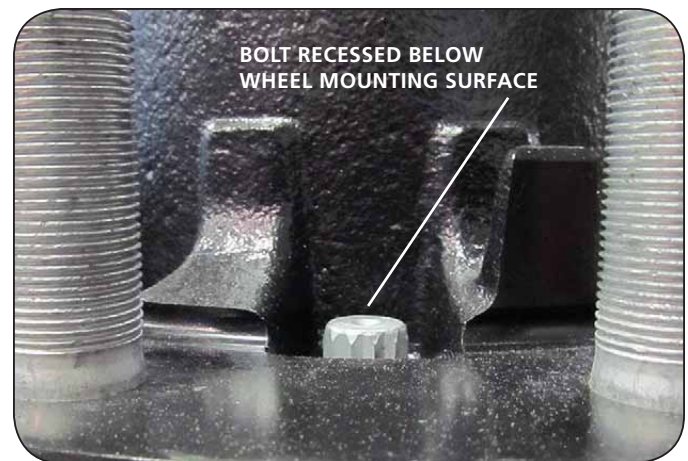
SAF disc brake axle production with Version 2 Head Units started in June 2012. Version 2 was phased into production as required to accommodate specific North American wheel rims. Version 1 Head Unit disc brake axles will be phased out through the second half of 2012.

If you require additional information on this change, please contact your local SAF-HOLLAND representative, or contact SAF-HOLLAND at the appropriate phone number on the back cover of this notice.

**Figure 5**



**Figure 6**





From fifth wheel rebuild kits to suspension bushing repair kits, SAF-HOLLAND Original Parts are the same quality components used in the original component assembly.

SAF-HOLLAND Original Parts are tested and designed to provide maximum performance and durability. Will-fits, look-alikes or, worse yet, counterfeit parts will only limit the performance potential and could possibly void SAF-HOLLAND's warranty. Always be sure to spec SAF-HOLLAND Original Parts when servicing your SAF-HOLLAND product.

**SAF-HOLLAND USA • 888.396.6501 • Fax 800.356.3929**  
[www.safholland.us](http://www.safholland.us)

**SAF-HOLLAND CANADA • 519.537.3494 • Fax 800.565.7753**  
**WESTERN CANADA • 604.574.7491 • Fax 604.574.0244**  
[www.safholland.ca](http://www.safholland.ca)

**SAF-HOLLAND MEXICO • +(52) 55.5362.8743 • Fax +(52) 55.5362.8743**  
[www.safholland.com.mx](http://www.safholland.com.mx)

[info@safholland.com](mailto:info@safholland.com)