

SAF Drum Brake Trailer Axles

Product Update Notice

Drum Brake Roller Guide Plate Replaces Outboard Cam Washer

Effective with shipments July 2013

Please Note:

Effective in July of 2013, SAF-HOLLAND is changing the outboard cam washer (01331021400Z) to a brake shoe roller guide plate (90026648) on Drum Brake trailer axles. The inboard cam washers (01331021400Z) remain unchanged.

The new roller guide plate (90026648) is compatible with all North American SAF drum brake axles.

This change is being implemented to minimize the potential for drum brake cam rollers to contact brake spiders on SAF North American drum brake axle/suspension systems.

Figure 1 shows the previous SAF drum brake cam and washer assembly. Figure 2 shows the new cam and washer assembly with the new roller guide plate installed.

Axle and suspension part numbers are not affected by this change.

If you require additional information, please contact your local SAF-HOLLAND representative, or contact SAF-HOLLAND at the appropriate phone number at the bottom of this notice.

Figure 1

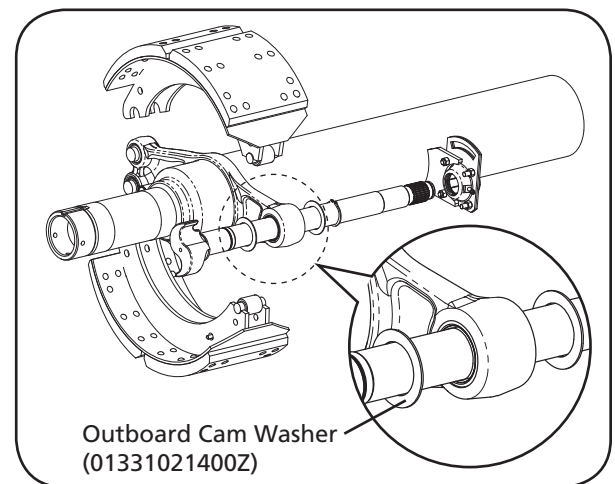


Figure 2

