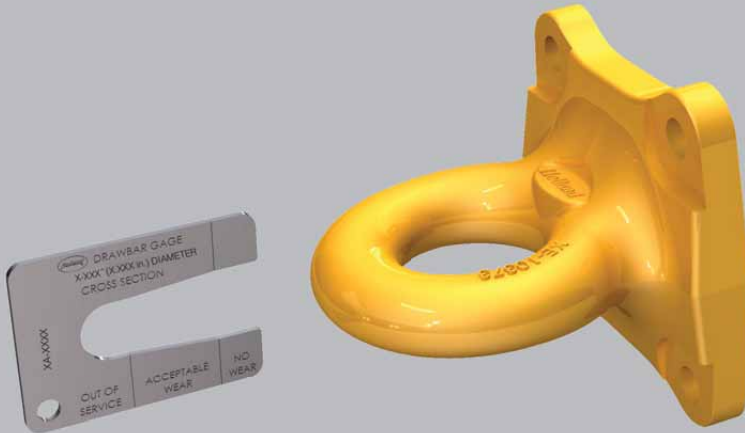


Owner's Manual

DRAWBAR EYE WEAR GAGES

Inspection Procedures



Contents	Page	Contents	Page
Introduction	3	Section 2 – Drawbar Eye Wear	
Notes, Cautions, and Warnings	3	Gage Selection.....	5
Drawbar Eye Wear Gage Parts List	4	Section 3 – Drawbar Eye Inspection	6

Introduction

This manual provides information necessary for the proper usage of the SAF-HOLLAND® Drawbar Eye Wear Gauges.

Notes, Cautions, and Warnings

Before starting any work on the unit, read and understand all the safety procedures presented in this manual. This manual contains the terms “NOTE”, “IMPORTANT”, “CAUTION”, and “WARNING” followed by important product information. These terms are defined as follows:

NOTE: Includes additional information to enable accurate and easy performance of procedures.

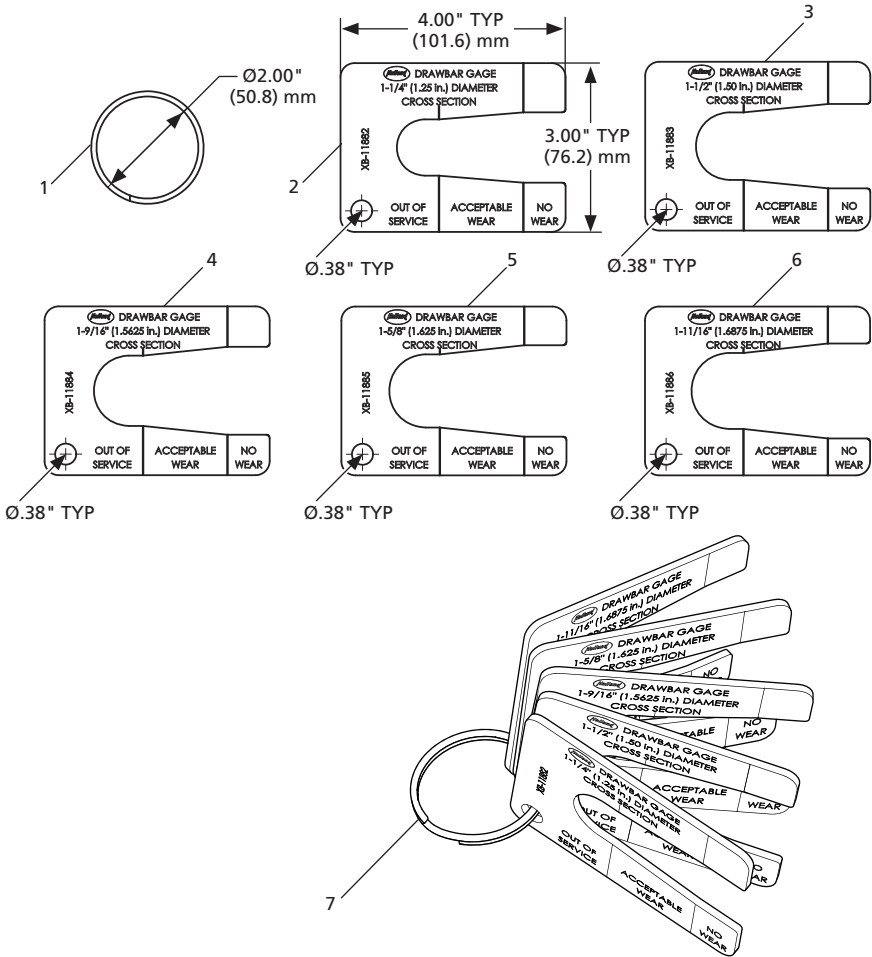
IMPORTANT: Includes additional information that if not followed could lead to hindered product performance.

CAUTION Used without the safety alert symbol, indicates a potentially hazardous situation which, if not avoided, could result in property damage.

CAUTION Indicates a potentially hazardous situation which, if not avoided, could result in minor or moderate injury.

WARNING Indicates a potentially hazardous situation which, if not avoided, could result in death or serious injury.

Drawbar Eye Wear Gage Parts List



DRAWBAR EYE WEAR GAGE PARTS LIST

ITEM	DESCRIPTION	DIAMETER	PART NUMBER	QTY.
1	Split Ring, 2"		XB-11888	1
2	Gage, 1-1/4" Drawbar Eye Wear	1.25"	TF-11882	1
3	Gage, 1-1/2" Drawbar Eye Wear	1.50"	TF-11883	1
4	Gage, 1-9/16" Drawbar Eye Wear	1.56"	TF-11884	1
5	Gage, 1-5/8" Drawbar Eye Wear	1.62"	TF-11885	1
6	Gage, 1-11/16" Drawbar Eye Wear	1.68"	TF-11886	1
7	Drawbar Eye Wear Gage Set		TF-11887	1

2. Drawbar Eye Wear Gauge Selection

Choose a gage that matches the original size of the drawbar eye by fitting the "No Wear" portion of the gage to an unworn portion of the eye. It may be necessary to reference SAF-HOLLAND® literature to assist in selecting the appropriate gage(s) to use for inspection of the SAF-HOLLAND® drawbar. Typically, unworn portions of the eye can be found in areas that are closer to the mounting surface (**Figure 1 and 2**).

Some drawbars will require two (2) different gages to inspect the different top-to-bottom vs. inside-to-outside cross sections. Therefore, gage size(s) will need to be verified on both the top-to-bottom of the drawbar eye and the inside-to-outside of the cross section of the drawbar eye.

NOTE: If two (2) drawbar wear gages are needed, use each gage only in the direction of the corresponding drawbar dimension (**Figure 3**).

Figure 1

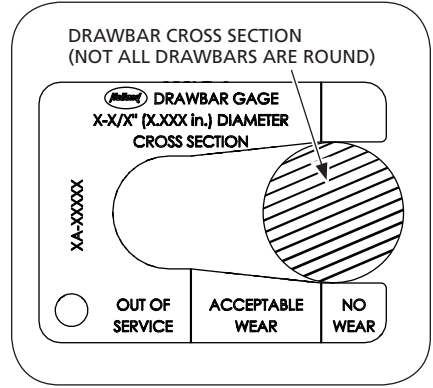


Figure 2

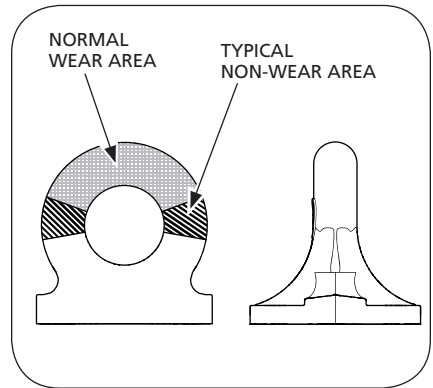
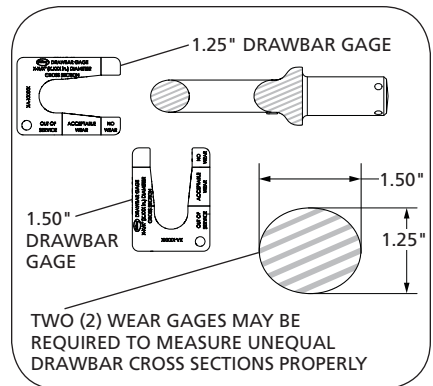


Figure 3



3. Drawbar Eye Inspection

- Using the appropriate wear gage(s), check all accessible areas of the drawbar eye.

NOTE: Check 180° around drawbar and any areas that appear to be worn (**Figure 4 and 5**).

- Make sure the wear gage is held square to the surface of the drawbar eye during inspection (**Figure 3**).
- If all portions of the drawbar eye fit into the "Acceptable Wear" portion of the gage, the drawbar should be considered usable for service (**Figure 5**).

Figure 4

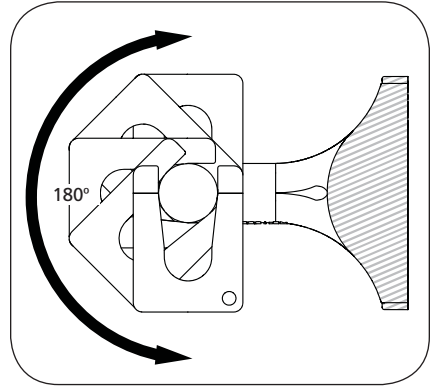


Figure 5

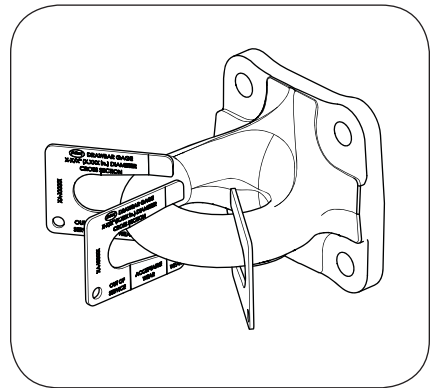
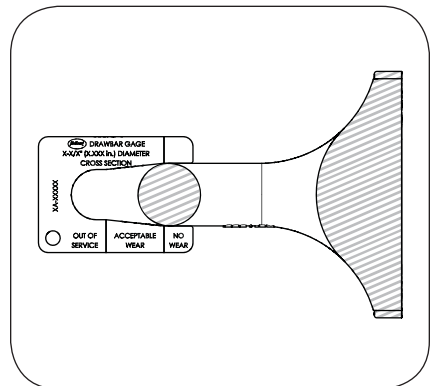


Figure 6



4. If any portion of the drawbar eye fits into the "Acceptable Wear" portion of the gage, but is closely bordering the "Out of Service" line, the drawbar should be considered "usable", but scheduled for replacement as soon as possible (**Figure 7**).
5. If any portion of the drawbar eye fits into the "Out of Service" area of the gage, the drawbar is no longer usable and must immediately be removed from service (**Figure 8**).

WARNING

Failure to replace an out-of-service drawbar as instructed could cause component failure which, if not avoided, could result in death or serious injury.

Figure 7

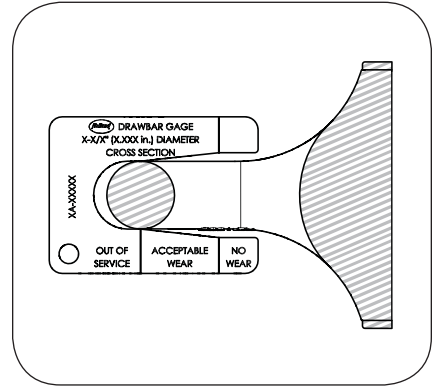
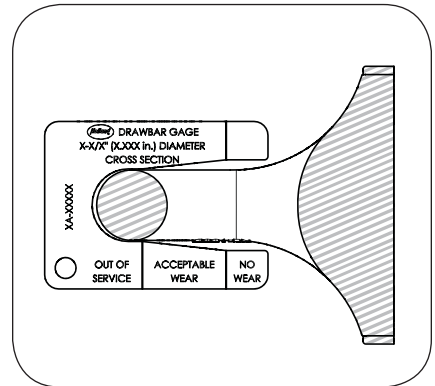


Figure 8





From fifth wheel rebuild kits to suspension bushing repair kits, SAF-HOLLAND Original Parts are the same quality components used in the original component assembly.

SAF-HOLLAND Original Parts are tested and designed to provide maximum performance and durability. Non SAF-HOLLAND parts will only limit the performance potential and could possibly void SAF-HOLLAND's warranty. Always be sure to specify SAF-HOLLAND Original Parts when servicing SAF-HOLLAND products.

SAF-HOLLAND USA, INC.

Muskegon • United States
Phone 888.396.6501
Fax 800.356.3929
www.safholland.us

SAF-HOLLAND (AUST.) PTY. LTD.

Melton • Australia
Phone +61.3.9971.7900
Fax +61.3.9743.6763
www.safholland.com.au

SAF-HOLLAND CANADA

Woodstock • Canada
Phone 519.537.3494
Fax 800.565.7753
www.safholland.ca

SAF-HOLLAND (MALAYSIA) SDN. BHD.

Petaling Jaya • Malaysia
Phone +60.3.8024.3433
Fax +60.3.8024.3431

SAF-HOLLAND SOUTH AFRICA LTD

Ormonde, Johannesburg • South Africa
Phone +27.11.496.3196
Fax + 27.11.496.3696
www.safholland.co.za

SAF-HOLLAND MIDDLE EAST FZE

Dubai • United Arab Emirates
Phone +971.(4).883.62.62
Fax +971.(4).883.62.65
www.safholland.ae

SAF-HOLLAND GmbH

Bessenbach • Germany
Phone +49.6095.301.602
Fax +49.6095.301.260
www.safholland.de

SAF-HOLLAND DO BRASIL

Jaguariúna-Sao Paulo • Brazil
Phone +55.19.3311.1550
Fax +55.19.3311.1554
www.safholland.com.br

SAF-HOLLAND (XIAMEN) CO. LTD.

Xiamen • China
Phone +86.592.6388.891
Fax +86.592.6288.892
www.safholland.cn

SAF-HOLLAND MEXICO

Tlalnepantla de Baz • México
Phone 52.1.55.5456.8641
Fax 52.55.58162230
www.safholland.com.mx

SAF-HOLLAND (THAILAND) CO., LTD.

Samutprakan • Thailand
Phone +66.2.740.0972
Fax +66.2.740.0974

info@safholland.com

SAF-HOLLAND USA, INC.
1950 Industrial Blvd, Muskegon, MI 49442
www.safholland.com

