

LTL Product Solutions

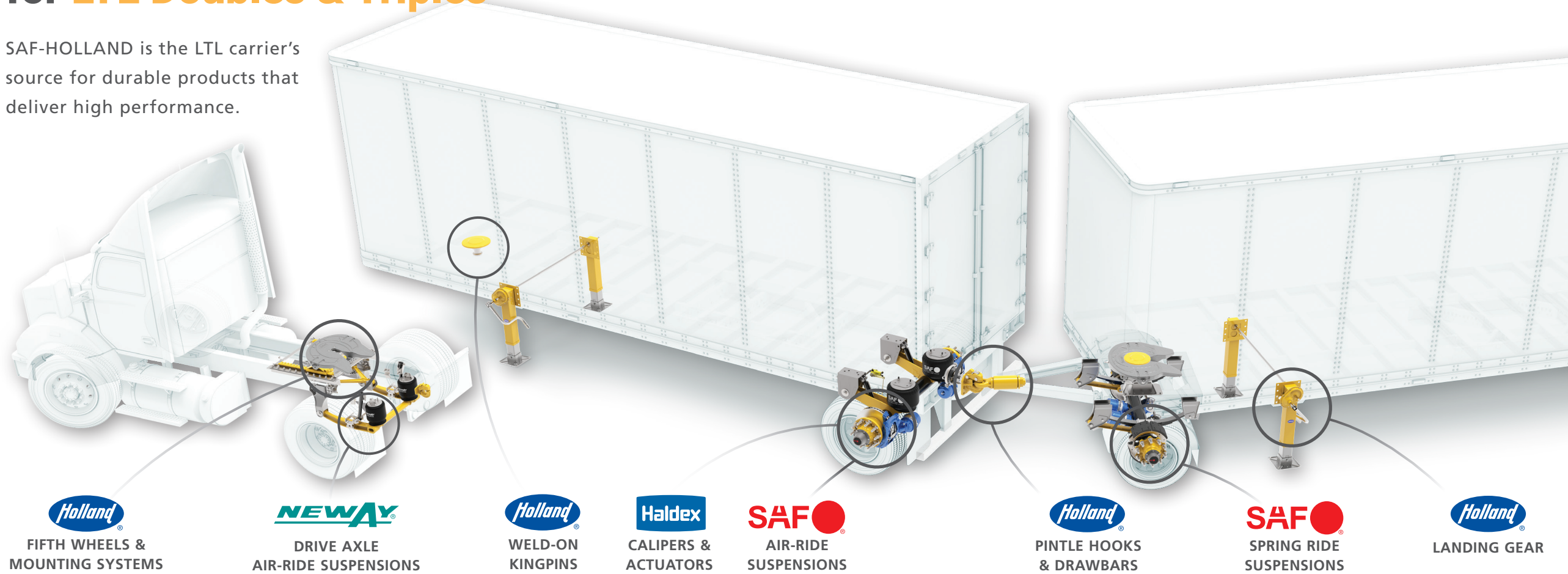
Durable, design optimized product solutions for on-highway carriers



Proven Product Solutions for LTL Doubles & Triples



SAF-HOLLAND is the LTL carrier's source for durable products that deliver high performance.



Holland
FIFTH WHEELS & MOUNTING SYSTEMS

NEWAY
DRIVE AXLE AIR-RIDE SUSPENSIONS

Holland
WELD-ON KINGPINS

Haldex
CALIPERS & ACTUATORS

SAF
AIR-RIDE SUSPENSIONS

Holland
PINTLE HOOKS & DRAWBARS

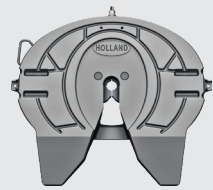
SAF
SPRING RIDE SUSPENSIONS

Holland
LANDING GEAR

Tractor Products

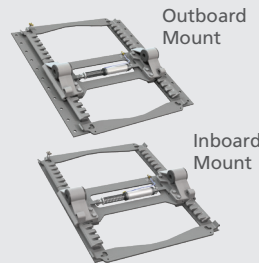
HOLLAND FW35 Series Fifth Wheel

The industry's most proven and versatile fifth wheel features a TwinLock™ design for fast acting and reliable coupling.



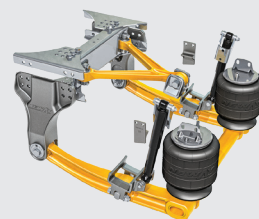
HOLLAND ILS Sliders

Enhanced design ILS (Integrated Low-Weight Slider) saves weight, reduces maintenance, and provides reliable fifth wheel repositioning.



NEWAY ADZ Drive Axle Air Suspension

Robust and lightweight design not only provides a superior performance, but also reduces component complexity for increased maintenance savings.

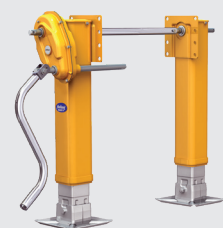


Semi-Trailer Products

HOLLAND Mark V Landing Gear

Proven durability for robust performance. The Mark V comes with two warranty options to fit your need.

* See warranty XL-LG123-01(10-year) or XL-LG11406WC-en-US (5-year) for details.



SAF Air and Spring Ride Suspensions with Drum or Air Disc Brake Axles

CBX air suspensions for LTL semi-trailers feature SwingAlign™, the industry's quickest axle re-alignment system.

DURALITE® Single axle spring ride suspensions offer increased durability with reduced maintenance costs. Optional mounting brackets and styles are available.



Converter Dolly Products

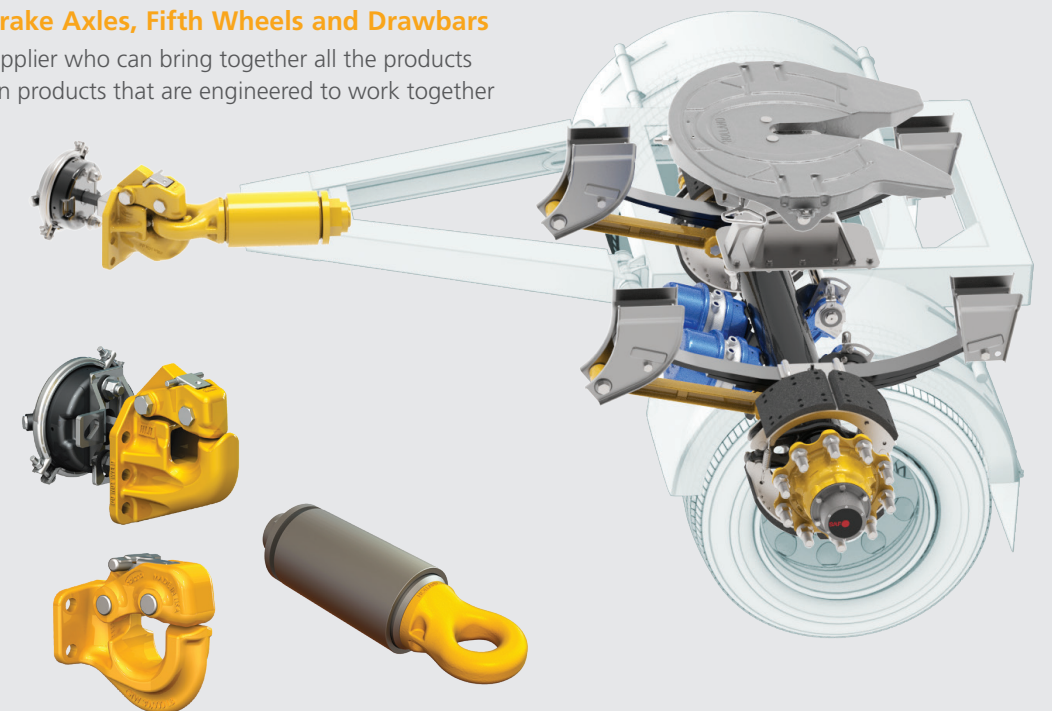
Spring Suspensions with Drum Brake Axles, Fifth Wheels and Drawbars

SAF-HOLLAND is the only component supplier who can bring together all the products necessary for converter dollies. All proven products that are engineered to work together for long life performance.

HOLLAND Coupling Products for Doubles and Triples

Several capacity models of rigid mount air cushioned pintle hooks and rubber cushioned swivel mount drawbars are available. All are engineered to work together to reduce wear and provide shock absorption.

Medium-duty pintle hooks and couplers also available for spotting dollies with tractors.



Engineering Your Road to Success

The SAF-HOLLAND® Group is one of the leading international manufacturers of suspension-related assemblies and components for trailers, trucks and buses. Our innovative products increase the efficiency, safety and environmental friendliness of commercial vehicles, contribute to the success of our customers. With around 5,500 employees worldwide, we are at the forefront of shaping the future of the transportation industry.



Trailer Axles and
Suspension Systems



Coupling and Lifting
Technologies



Brake Solutions and
Air Valve Technologies



Suspensions and Components
for Commercial Vehicles



Suspensions for
Trucks and Buses



Trailer
Telematics



V.ORLANDI
Coupling and Lifting
Technologies



Trailer Axles and
Suspensions Systems

safholland.com

SAF-HOLLAND, Inc.
Tel 800.876.3929

SAF-HOLLAND Canada Limited
Tel 519.537.3494
Western Canada 604.574.7491

SAF-HOLLAND Mexico
Tel 52.55.5456.8641