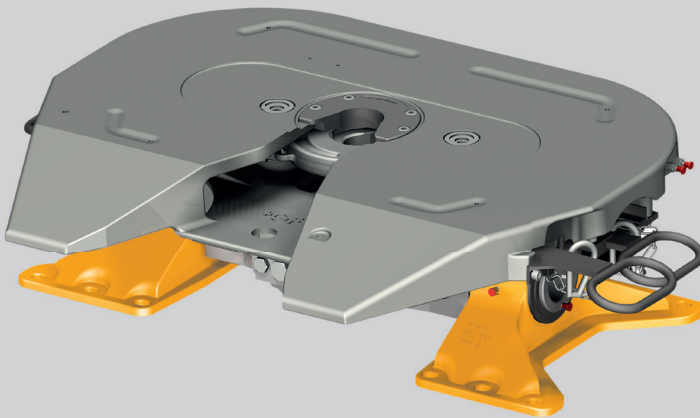


## Maintenance - Repair

### Fifthwheel SK-HD 38.36 G



---

# Fifth wheel SK-HD 38.36 G

## Mounting and Operating Instructions

### List of contents

1. Mounting Instructions	3
2. Lubrication	6
3. Operating Instructions	7 - 11
4. Maintenance	11
5. Wear Limits	12
6. Adjusting Play	13
7. Repair Instructions	14
8. Spare Parts List	17
9. Exploded-view drawing	18

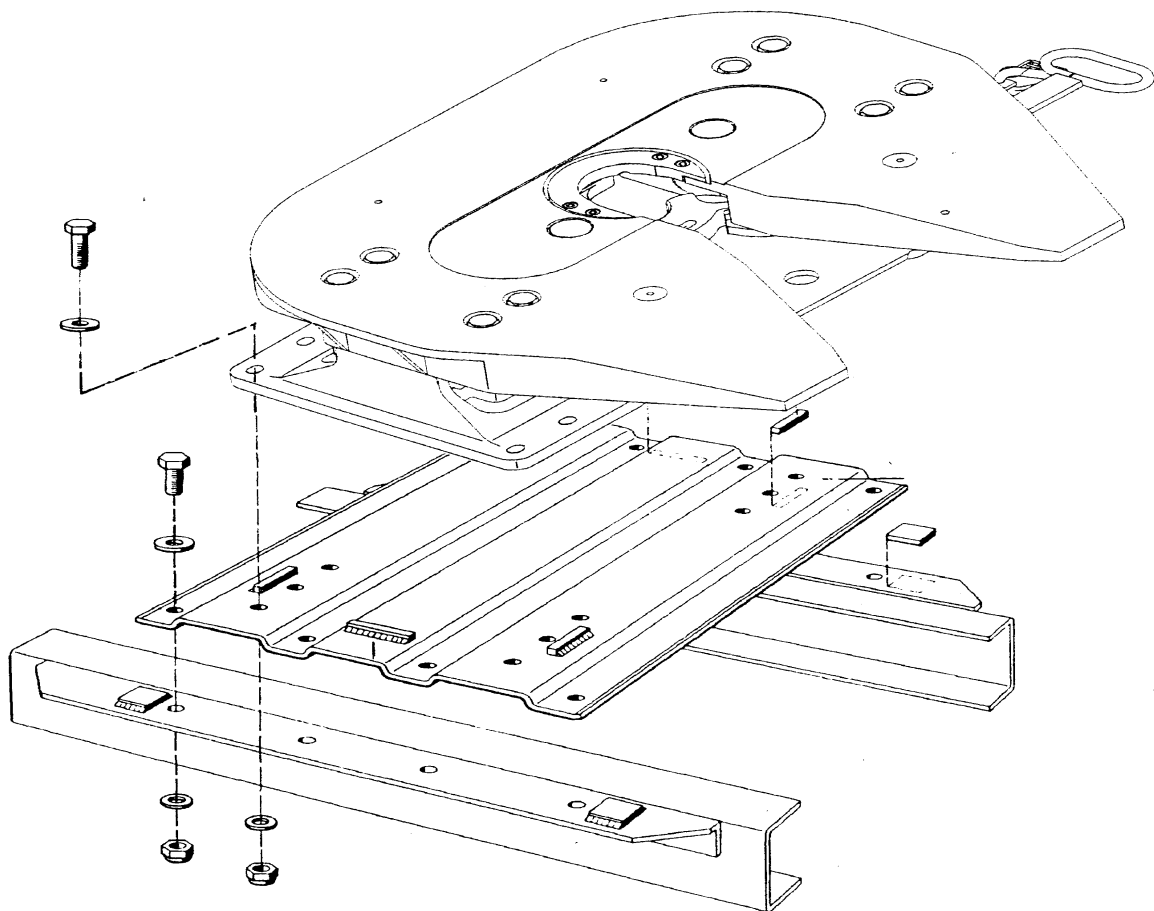
---

## General Information

Failure to observe these instructions can lead to dangerous operating conditions. Please read through and carefully follow these instructions before mounting the fifth wheel and using it for the first time.

- Modifications of any kind will invalidate warranty claims and result in the cancellation of the design approval.
- The mounting of fifth wheels, mounting plates, sliders and kingpins, as well as repair work, may only be carried out by trained personnel or in suitable workshops.

## 1. Mounting Instructions



- 
- When mounting fifth wheels, please follow the relevant mounting instructions as provided by SAF-HOLLAND and the vehicle manufacturer.
  - The fifth wheel will usually be fitted on a mounting plate. We recommend the use of SAF-HOLLAND mounting plates and the respective mounting kit.
  - The mounting plate and the fifth wheel must be positioned to the articulation point recommended by the vehicle manufacturer.
  - Thrust plates can be used to secure the mounting plate in the direction of travel and the fifth wheel in the longitudinal and transverse directions.
  - The mounting plate must be selected depending on the width of the vehicle frame and the desired overall height.

- The fifth wheel must be attached to the mounting plate with twelve screws M16, grade 8.8.

- The specified tightening torques are:  
190 Nm for M16x1,5 fifth wheel on mounting plate  
350 Nm for M20x1,5 mounting plate on subframe

- The thickness of the paint layer in the locking region of the bolts must comply with standards prescribed by law so as not to impair the clamping pressure. Compliance with Governmental inspection regulations on bolts and the locking of these in vehicle construction is required.
- It is a requirement that the technical data be entered into the appropriate Vehicle Registration Documents in accordance with the local Vehicle Registration Regulations (e.g. §27 of the Regulations Governing the Registration of Road Vehicles in Germany).
- In the area of the brackets, mounting plates must be sportingly reinforced, in particular flat ones and those with a height of 22 mm.
- The fifth wheel must be able to move freely, and may not touch either the mounting plate or parts of the frame or auxiliary frame when used for its foreseen application.
- When mounting fifth wheels, all actual and national registration regulations must be considered.
- If the fifth wheel is mounted on a slider, the relevant mounting instructions must be followed.

- 
- Beside the superimposed load, the criterion for determining the max. permissible load for a fifth wheel and mounting plate is the D-value, which can be calculated according to DIN 74081, with the following formula:

Example of a calculation:

$$D = g \cdot \frac{0,6 \cdot m_K \cdot m_A}{m_K + m_A - A} \text{ in kN}$$

$$D = 9,81 \cdot \frac{0,6 \cdot 17 \cdot 120}{17 + 120 - 28} = 110,2 \text{ kN}$$

Key:

$m_K$  = permissible gross weight of the tractor in t  
 $m_A$  = permissible gross weight of the semitrailer in t  
 $A$  = permissible vertical load on the tractor in t  
 $g$  = Earth gravitation 9,81 m/sec.

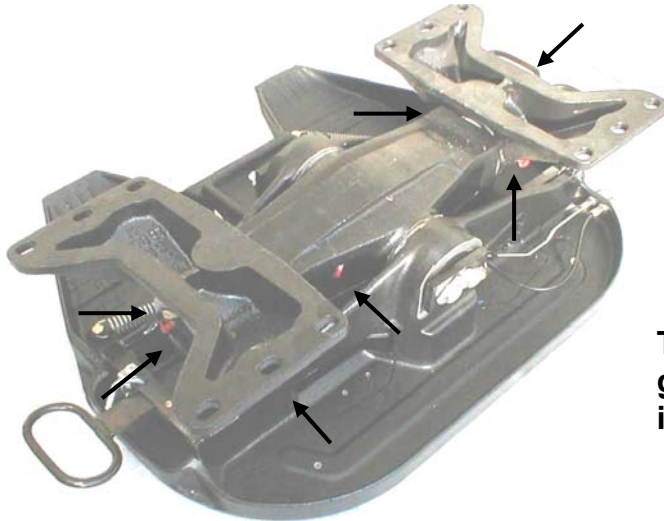
**Example:**  $m_K = 17 \text{ t}$   
 $m_A = 120 \text{ t}$   
 $A = 28 \text{ t}$

The data for permissible loads for SAF-HOLLAND fifth wheels and mounting plates can be found on the respective pages in the brochure. These data apply for use on paved roads and transport conditions as customary in Central Europe. Please enquire for conditions of use other than these.

## 2. Lubrication

Before putting the fifth wheel into operation, and then regular every 5'000 km, apply ample coatings of long-life, high-pressure grease\* to the surface of the SAF-HOLLAND fifth wheel plate, the locking parts and the wearing ring.

- The locking mechanism is equipped with two grease nipples on the plate, which must be greased from the outside, even with coupled semi-trailer (see A).



**The rocker assembly is equipped with 9 grease nipples, each of which, must be individually greased.**

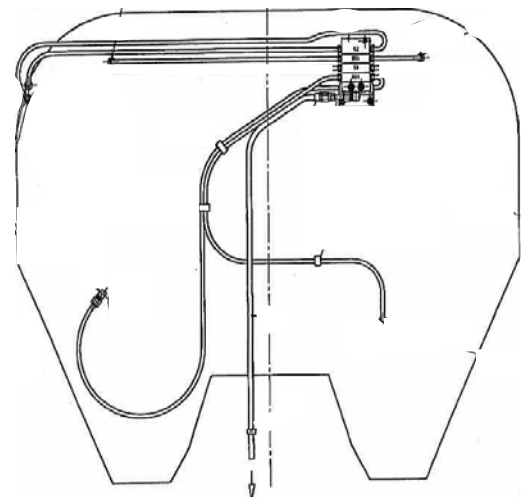
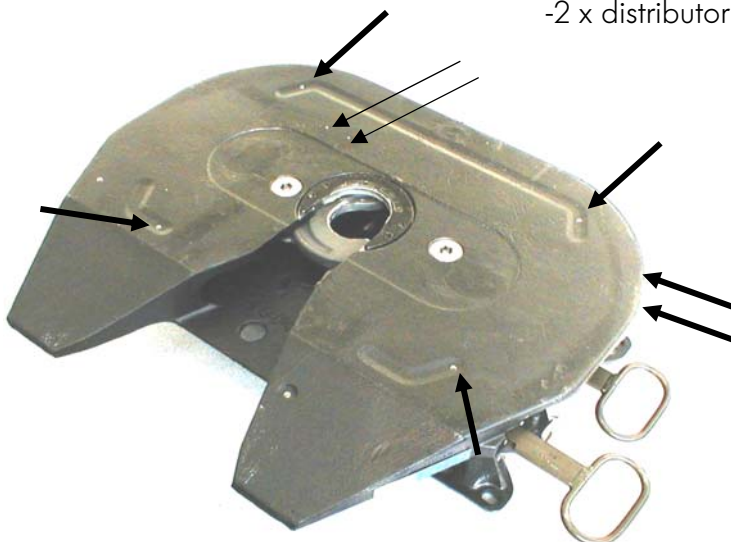
\* We recommend using a long-time high pressure lubricant (NLGI class 2) with MoS<sub>2</sub> or graphite additives, e.g. MOTOREX MOLY 218, SHELL RETINAX HDX2, Renolit LZR 2 (suitable for central lubrication systems), Renolit FG 150. If other lubricants are used, the lubrication intervals are to be adapted accordingly. When used with a central lubrication system obey the instructions of the manufacturer.

### Central lubrication

Connection to central greasing installation is possible.

Ensure that the operation and freedom of movement of the fifth wheel are not affected by the connection of a central lubrication system.

- 6 x M8 x 1 lubricating point connections
- 2 x distributor attachments



### 3. Operating Instructions

#### 3.1 Coupling

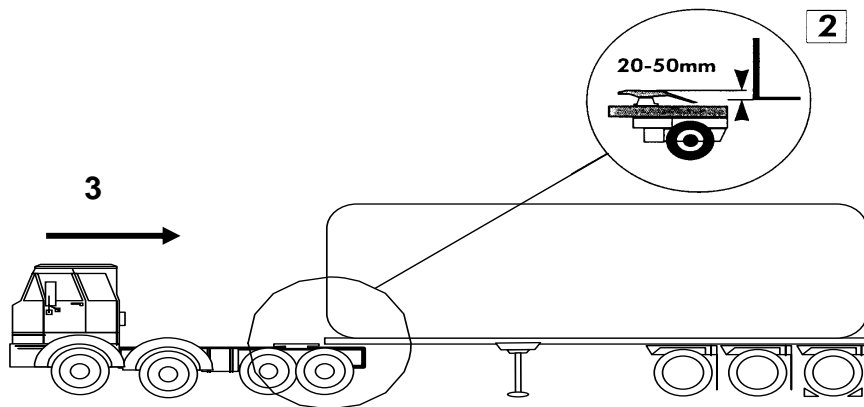
The semitrailer must be secured and supported .

1. The locking mechanism is in the open position

The Fifth wheel must be ready for coupling, i.e. the unlocking handle must be fully extended.



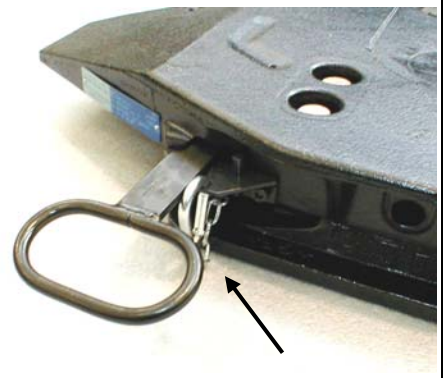
2. The semitrailer plate must be approx. 5 cm lower than the fifth wheel coupler plate. Reverse with the tractor slowly under the semitrailer. The locking mechanism engages automatically.



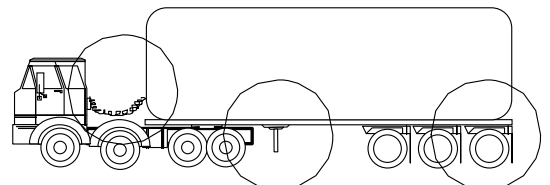
#### 3. Start-up jerk to be made in low gear.

##### Securing:

4. Inserting the hook into the slot beside the operating handle provides a check if the mechanism is properly locked. If the hook does not click, the coupling operation must be repeated.



**ATTENTION:** *In any case, it must be made sure that the Fifth wheel is properly locked and secured.*



---

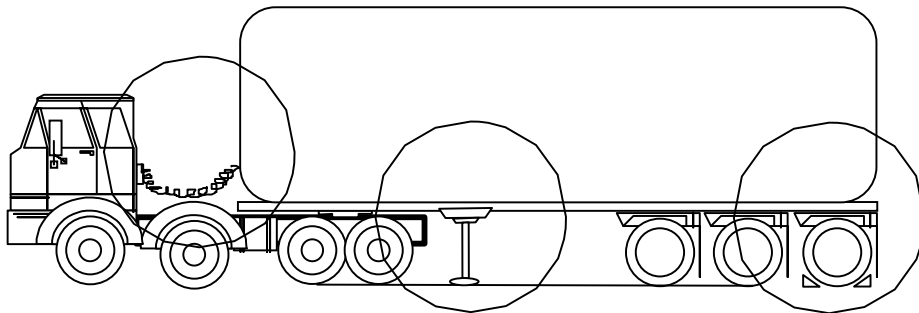
## 3.2 Uncoupling

Secure the wheels of the semi-trailer with chocks.

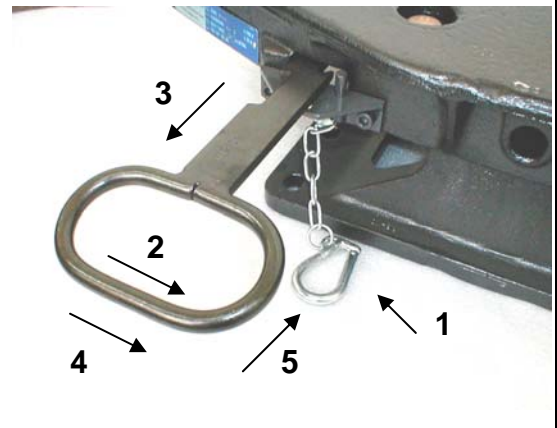
Raise the semi-trailer using the landing gear until sufficient relief is given to the suspension of the towing vehicle.

Disconnect the supply cables.

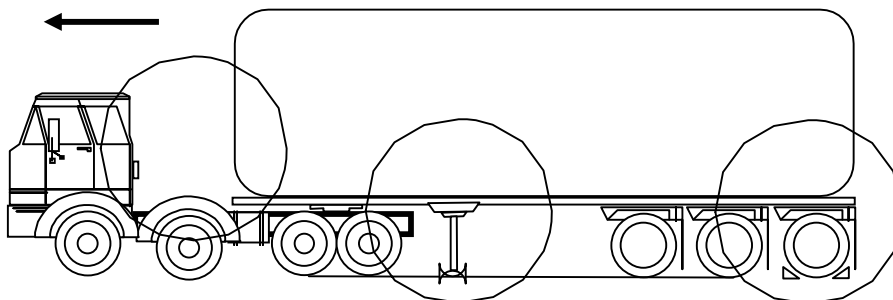
Open the locking mechanism.



- Disengage snap hook 1
- Swivel the unlocking handle to the rear 2  
pull it out 3 and hook its lug onto the  
edge of the plate 4 & 5



Drive the tractor out.



The Fifth wheel is automatically ready for coupling again.



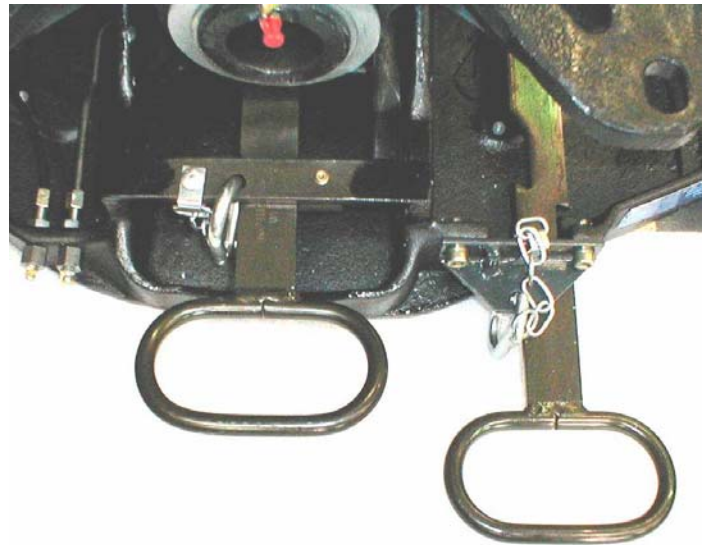
---

## 3.2 ON / OFF – road operation

### „On – road“ operation:

The plate locking mechanism is located on both sides of the fifth wheel beneath the hitch plate.

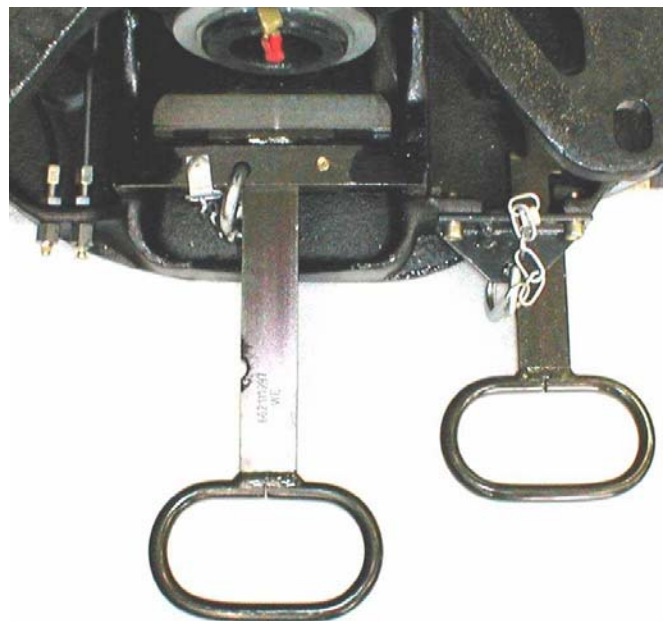
For safe use „on – road“ and other firm level applications, the plate locking mechanism **must** be engaged.



### „Off – road“ operation:

The plate locking mechanism should be opened for „off – road“ applications.

- 1.) Remove snap hook .
- 2.) Fully open **both** of the locking handles (1 each side of the plate) until the stop prevents further outwards movement.
- 3.) Lock the handle in position with the snap hook. If the hook cannot be inserted, the lock is not fully open and the operation must be repeated.



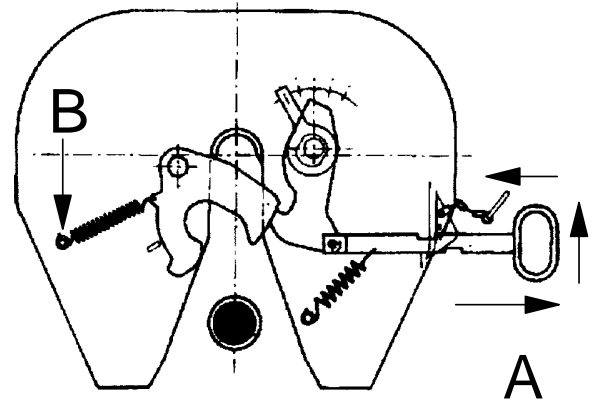
- The plate locking mechanism can only be operated if the tractor and trailer unit is absolutely level ( if necessary using appropriated aids ).
- With the plate unlocked, the vehicle may only be driven „off – road“ at low speed. Before driving „on - road“ the plate must always be locked.

### 3.3 Conversion 3 1/2" to 2" and vice-versa

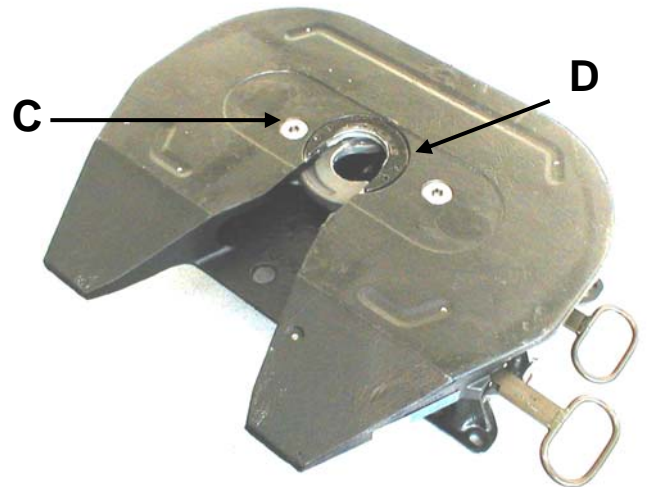
Even in mounted condition, the Fifth wheel can be converted within a few minutes.

#### Dis- and Reassembly of Coupler jaw

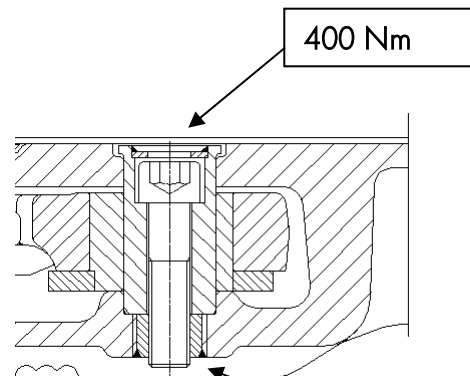
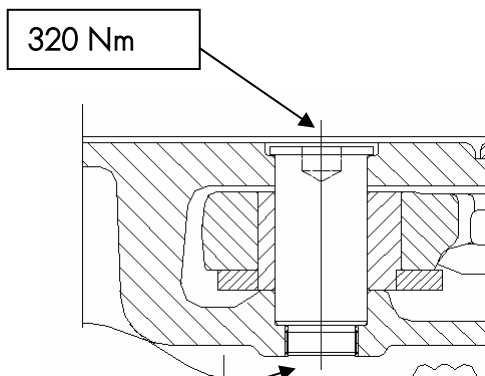
- Pull the Unlocking handle fully towards the outside (locking mechanism open) (A). Hook its lug onto the edge of the plate.
- Unhook the spring of the Coupler jaw on the coupler plate (B).



- Unscrew the pin ( C ) 17mm across flats or 19 mm across flats upwards with a hollow screw wrench.
- Take off coupler jaw with spring.
- Degrease and clean pin threads as well as respective threads of the tapped holes in the coupler plate.



- Apply " Loctite " to the threads of the tapped holes.
- Install in reverse order; tightening torque for the pin ( C ).



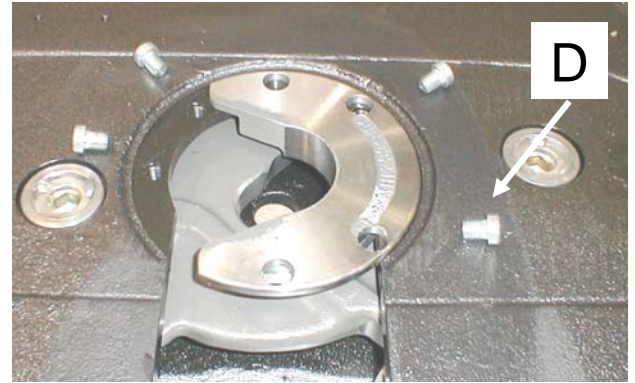
"Loctite 262"

"Loctite 243"

---

## Dis- and Reassembly of Wearing ring

- Unscrew all 4 fillister socket head screws SW 8 mm (D).
- Remove the Wearing ring (turning it about 90°)
- Clean and coat the machined surfaces of the new wearing ring with multi-purpose grease, and insert, turning it about 90°, into the final position.

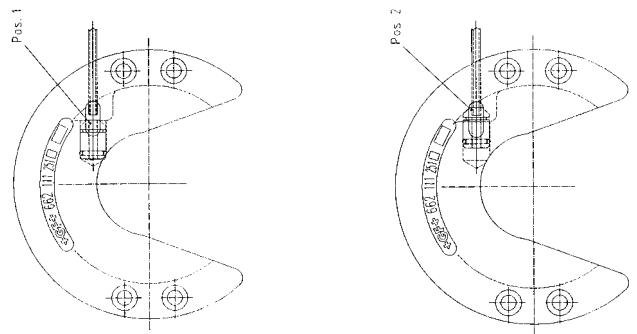


### Attention:

Use new self securing fillister head screws ("Loctite 243") and tighten them with a torque of:  
46 Nm for the wearing ring 662 111 319 + 662 111 250  
70 Nm for the wearing ring 662 111 342 + 662 111 343

### Wearing ring 2" 662 111 319

- Prior to disassembling , push slider to pos.1
- After reassembling , push slider to pos.2 and make sure , that the grease pipe slides into the plastic slider .



Before starting operation: Coat again with multi-purpose grease and replace the manufacturer's plate!

## 4. Maintenance

Various parts are normally subject to wear during operation; this can, however, be reduced to a minimum by proper maintenance. The following points must therefore be observed before putting the Fifth wheel into operation and each time it is serviced:

- We recommend that the bearing surfaces of the Fifth wheel and the semi-trailer plate as well as the King pin be checked for damage each time they are serviced and repaired where necessary (see "Wear Limits").
- The functionality of the fifth wheel must be checked depending on the working conditions, however at the latest every 50,000 km.
- Replace worn or damaged parts by original SAF-HOLLAND spare parts.
- Important: Each Fifth wheel is provided with a Serial Number, which is stated on both the type plate and in addition the coupler plate's edge. It is important for clear identification of spare parts.

## 5. Wear Limits

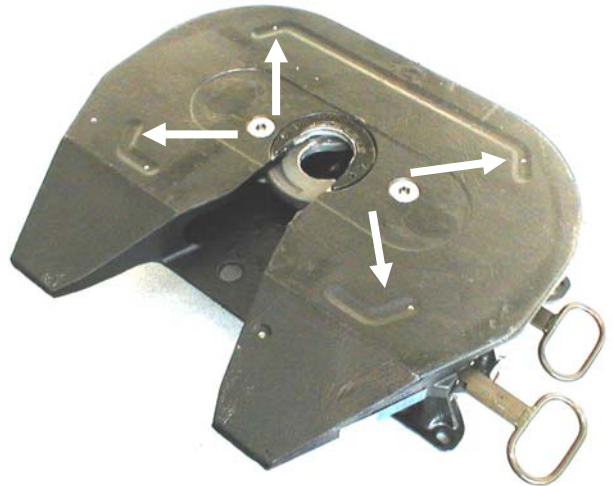
The following must be checked:

1. Wear on fifth wheel plate
2. Locking mechanism
3. King pin

### Fifth wheel plate

#### Visual check

The coupler plate must be replaced when it is worn down to the bottom of the lubrication groove.



### Fifth wheel locking mechanism

Use the limit gauge to check wear on the locking mechanism.

If the locking mechanism is fully adjusted, and the wearing marks are reached, then both, the Wearing ring and the coupler jaw must be replaced.

See "Play adjustment"

#### 2" King pin

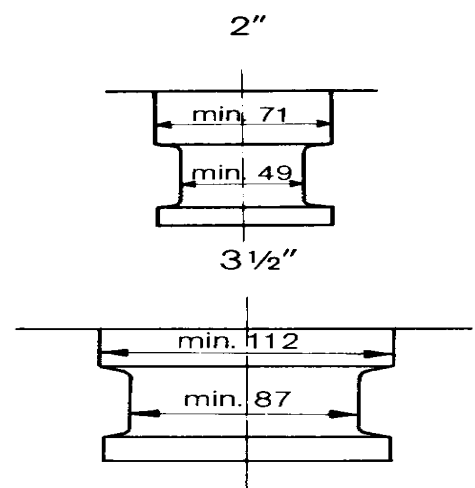
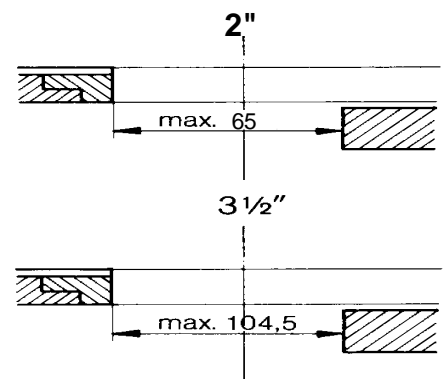
If the dimensions 71 resp. 49 are reached, the king pin must imperatively be exchanged.

New = 73 resp. 50,8

#### 3 " King pin

If the dimensions 112 resp. 87 are reached, the king pin must imperatively be exchanged.

New = 114 resp. 88,9



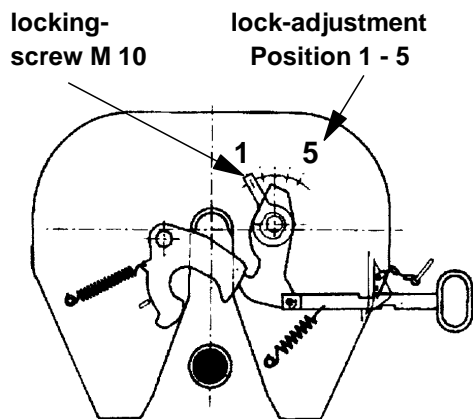
---

## 6. Adjusting play

The locking mechanism of a fifth wheel is subject to a certain degree of wear, depending upon mileage and maintenance. The SAF-HOLLAND fifth wheel type **SK-HD 38.36 G** is equipped with an adjusting mechanism to compensate for play. This mechanism is intended to compensate for wear on the coupling parts, but not on the king pin!

### Adjusting the fifth wheel's locking mechanism

The adjustment must be carried out with a NEW KING PIN.

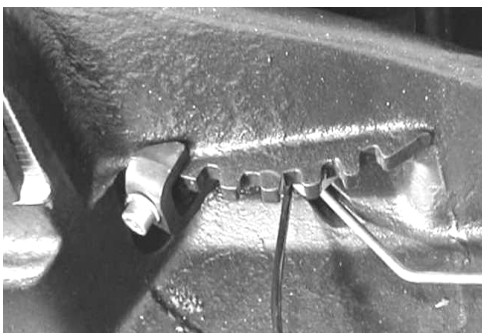


Loosen the fillister screw M10 SW 8 on the fork so that the fork can be moved. The regulation by one notch is equal to an adjustment of 0,5 mm. Re-tighten the screw with a torque of 46 Nm.

Repeat this procedure as required when making further adjustments.

#### WARNING

When adjusting the locking mechanism, ensure that the king pin has a play of at least 0,5 mm in the locking mechanism of the fifth wheel. If necessary, adjust the above play by one or more steps until this play is reached.



Inserting the hook into the slot beside the operating handle provides a check if the mechanism is properly locked.

If this is not possible, return fork by one or more notches. If no further adjustment is possible, both coupler jaw and wearing ring must be replaced (see "Wear limits").

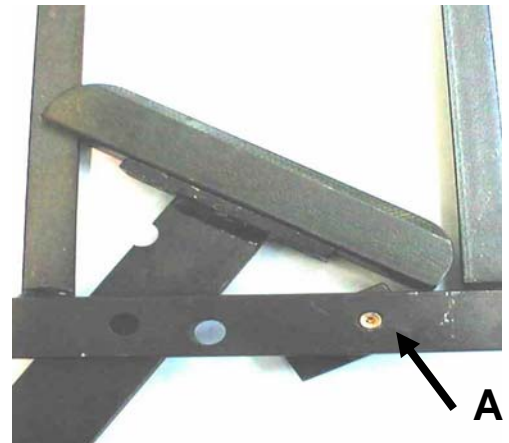
If the king pin reaches the minimum permitted limits (see page 10), it must be replaced.



## 7. Repair Instructions

### 7.1 Locking handle replacement.

- 1.) Remove grub screw (A) and remove handle (see photo.)

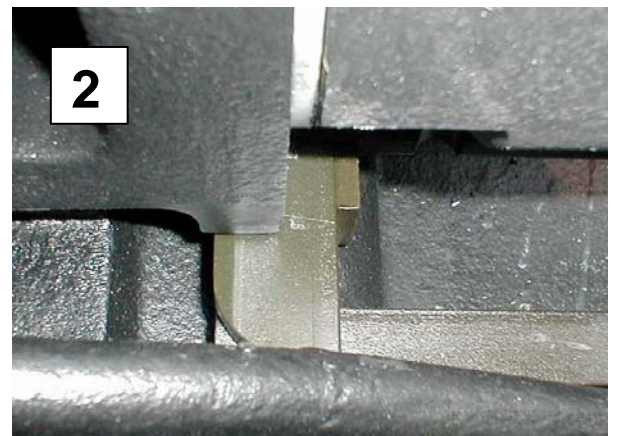
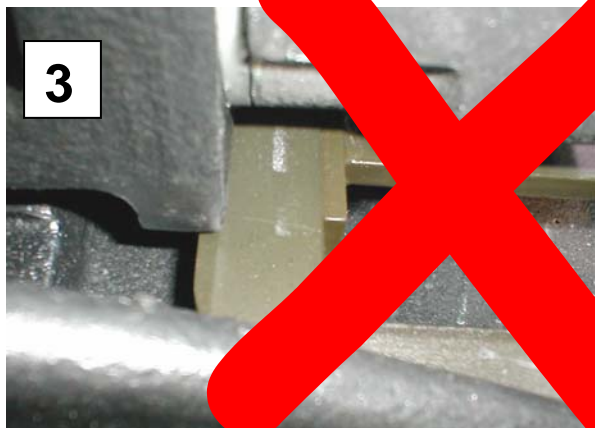
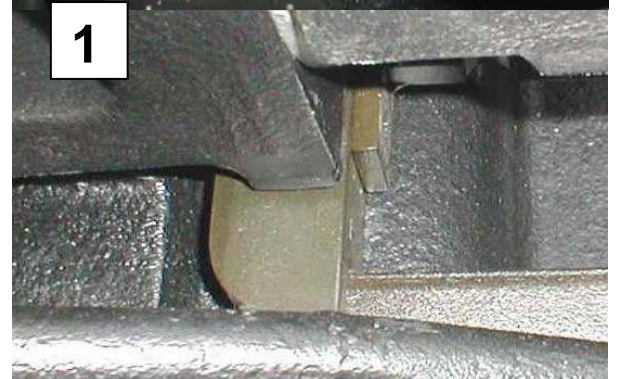
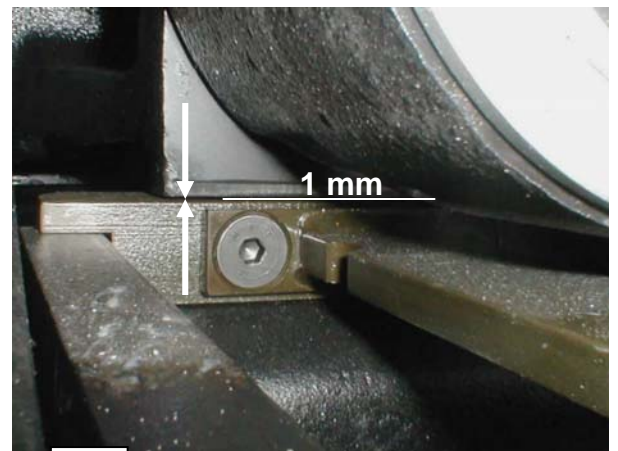


- 2.) Insert new handle.
- 3.) When setting the free movement in the mechanism, it is important to ensure that there is a minimum gap of 1 mm on both sides of the plate.

Adjust the handle until the specified gap is achieved

#### Caution:

The handle must be so adjusted, that the rocker mechanism is adequately seated on the stop of the locking handle (see **1** or **2**), not as illustrated in photo **3**.

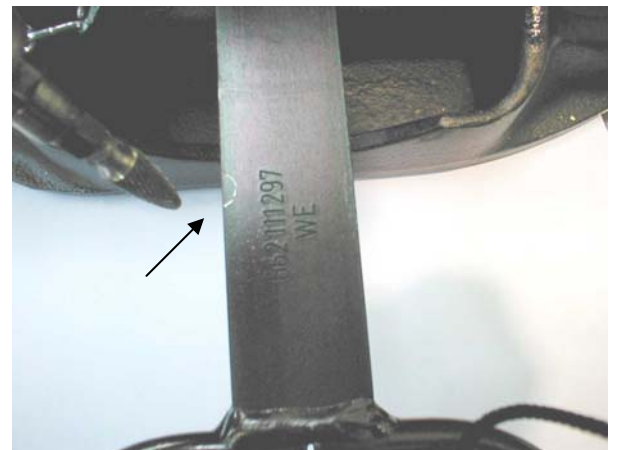


---

4. After correctly adjusting the play, mark the closed position for the snap hook on the locking handle.



5. Pull out the locking handle and file out the marked area.



6. Secure the locking handle with the snap hook.



**Caution:**

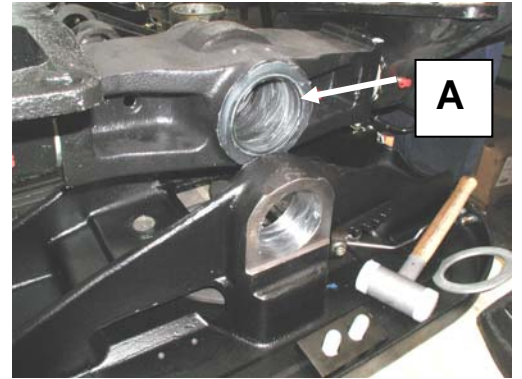
The locking handles on both sides of the fifth wheel must always be closed prior to „on – road“ use.

## 7.2 Spacer replacement

1.) Straighten the tabs on the screw securing plate and remove the hexagon bolts.



2.) Push out the main shaft and remove the spacer washers.



3.) Insert new spacers.

4.) Carefully replace main shaft, ensuring that the "O" - rings (A) on both sides of the rocker are not damaged.



5.) Insert a new securing plate and new hexagonal Bolts.



6.) Hexagonal bolts AF 22 with 125 Nm and Hexagonal bolts AF 30 with 180 Nm tighten. Secure all 4 bolts.

### Caution:

It must be possible to move the rocker assembly after tightening the bolts.





## 8. Spare parts for the SK-HD 38.36 G fifth wheel

Type		Order-No.		
	662 111 088 290 mm; 3,5"			<u>Up Serial-Nmber:</u> 41000046
	662 111 089 290 mm; 2"			
Pos.	Description	Quant.		
1	Coupler plate	1	662 111 261	662 111 261
2	Unlocking handle	1	662 111 276	662 111 276
9	Coupler jaw assy. 3,5"	1	662 111 247	662 111 247
9	Coupler jaw assy. 2"	1	662 111 249	662 111 249
10	Locking hook assy.	1	662 111 239	662 111 239
10a	Eccenter	1	662 111 322	662 111 322
10b	Lubrication pipe	1	662 130 118	659 144 106
11	Pin	2	662 111 316	662 111 344
12	Wearing ring 3,5"	1	662 111 250	662 111 343
12	Wearing ring 2"	1	662 111 319	662 111 342
16	Tension spring	1	662 126 410	662 126 410
16a	Tension spring	1	662 111 130	662 111 130
17	Snap hook with chain	3	662 100 574	662 100 574
18	Fillister screw with hex. socket	4	659 112 363	659 112 624
19	Pivot	1	662 126 449	662 126 449
19a	Bolt	3	662 126 172	659 112 359
20	Washer	1	662 126 175	662 126 175
22	Grease nipple	2	662 126 224	662 126 224
24	Manufacturer's plate	1	659 120 380	659 120 380
26	Hemispherical ribbed nail	2	662 126 173	662 126 173
28	Hammer rivet	1	662 126 151	662 126 151
29	Lubrication pipe	1	662 111 289	659 144 106
30	Lock nut	2	662 126 176	
31	Eyebolt	2	662 126 465	
35	Safety flange	1	662 111 281	662 111 281
36	Fillister screw with hex. socket	2	659 112 358	659 112 358
37	Pipe clamp	1		662 111 345
38	Plug	1		662 111 346

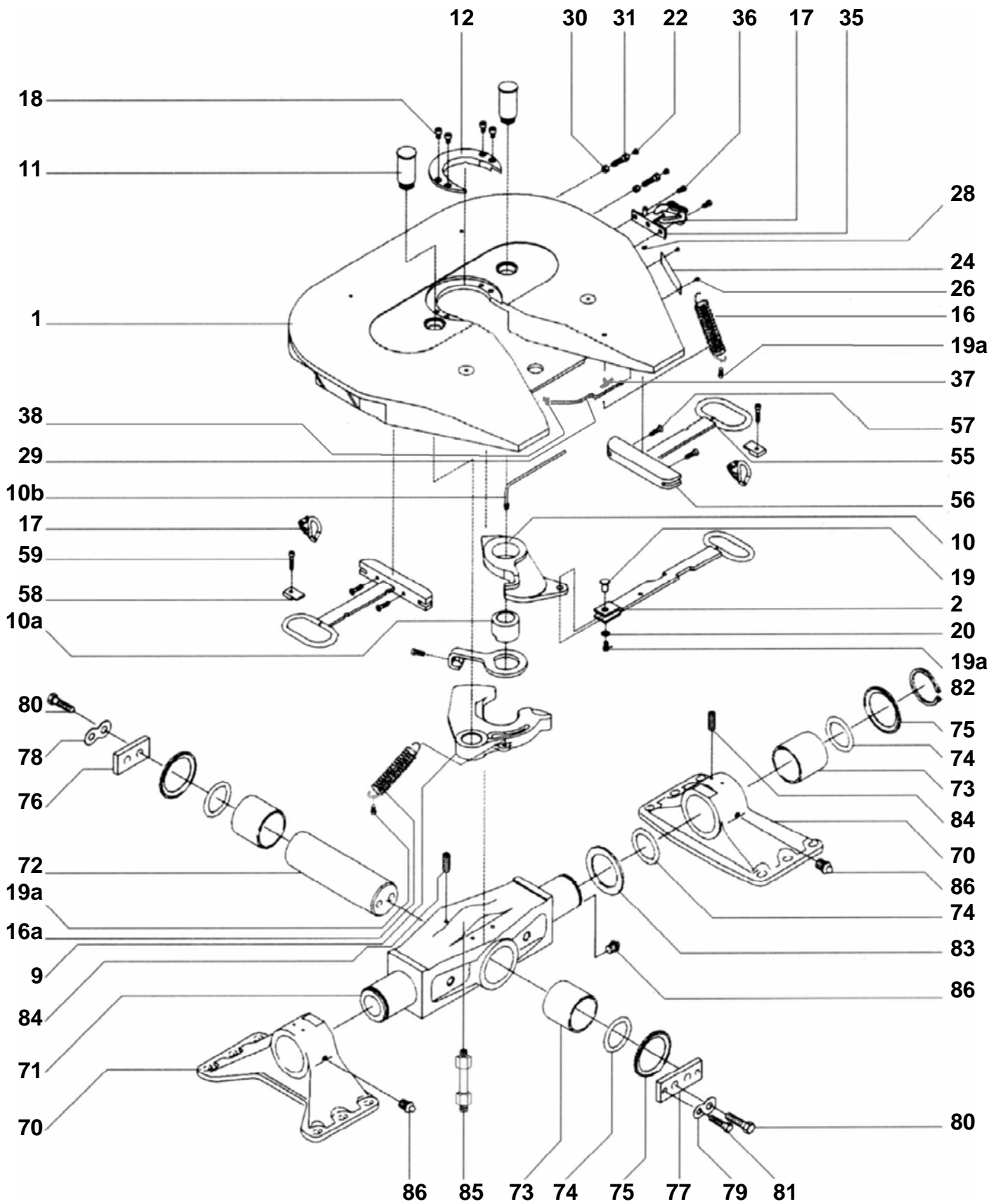
### Locking handle-set ( 662 111 313 )

55	Locking handle	2	662 111 297	662 111 297
56	Stopper	2	662 111 296	662 111 296
57	Hexagon – socket screw	4	662 100 371	662 100 371
58	Safety plate	2	662 111 298	662 111 298
59	Bolt	2	662 126 155	662 126 155

### Rockerassy. ( 662 111 096 )

70	Bracket	2	662 111 299	662 111 299
71	Rocker arm	1	662 111 303	662 111 303
72	Pivot pin	1	662 111 306	662 111 306
73	Bearing bushing	4	662 111 300	662 111 300
74	"O" ring	6	662 111 301	662 111 301
75	Spacers	4	659 122 075	659 122 075
76	Plate	1	662 111 304	662 111 304
77	Plate	1	662 111 307	662 111 307
78	Securing plate	1	662 111 305	662 111 305
79	Securing plate	2	662 111 308	662 111 308
80	Hexagonal screws	4	662 111 203	662 111 203
81	Hexagonal screws	2	659 112 320	659 112 320
82	External locking ring	2	662 111 302	662 111 302
83	Spacers	2	659 122 074	659 122 074
84	Cylindrical notched pin	8	662 111 311	662 111 311
85	Taper grease nipple, with extension	1	662 111 312	662 111 312
86	Taper grease nipple	6	662 126 224	662 126 224

# 9. Exploded drawing SK-HD 38.36 G





**Notruf  
Emergency Hotline** +49 6095 301-247

**Kundendienst  
Customer Service** +49 6095 301-602

**Aftermarket  
Spare Parts** +49 6095 301-301

**Fax** +49 6095 301-259

**service@safholland.de**  
**www.safholland.com**