



# LGH SERIES

## LGH SERIES

### SPECIFICATIONS



#### Heavy Duty Landing Gear

90000 kg Static Load

27000 kg Lifting Capacity

10000 kg Side Load (Single Leg)

High Strength Reinforced Landing Gear for the Most Demanding Applications

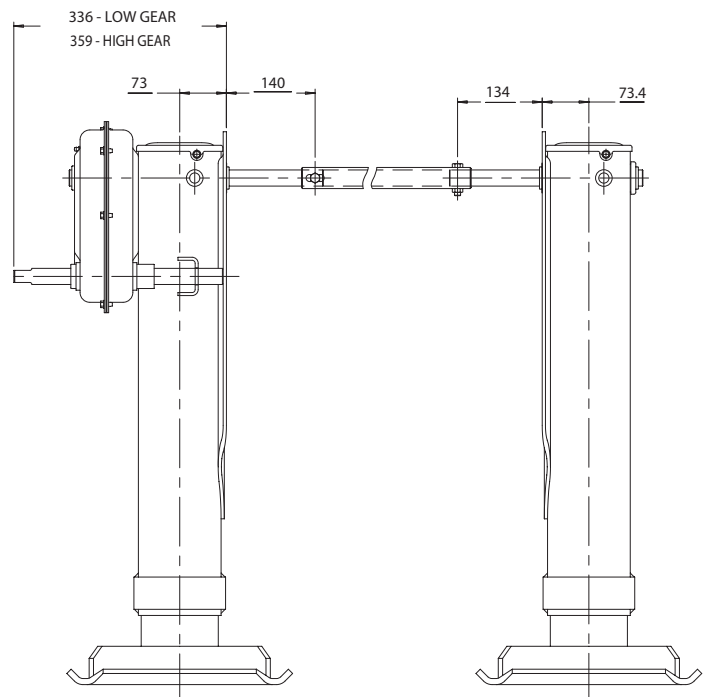
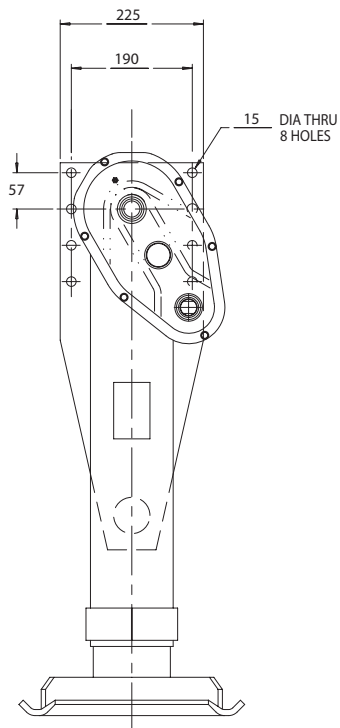
#### FEATURES

- Reinforced upper and lower leg
- Heavy duty tapered mounting plate
- Heavy duty thrust bearing
- Heavy duty reinforced foot pads



#### WARNING

Mounting must be carried out in accordance with Holland instructions



#### Lift per one revolution of handle :

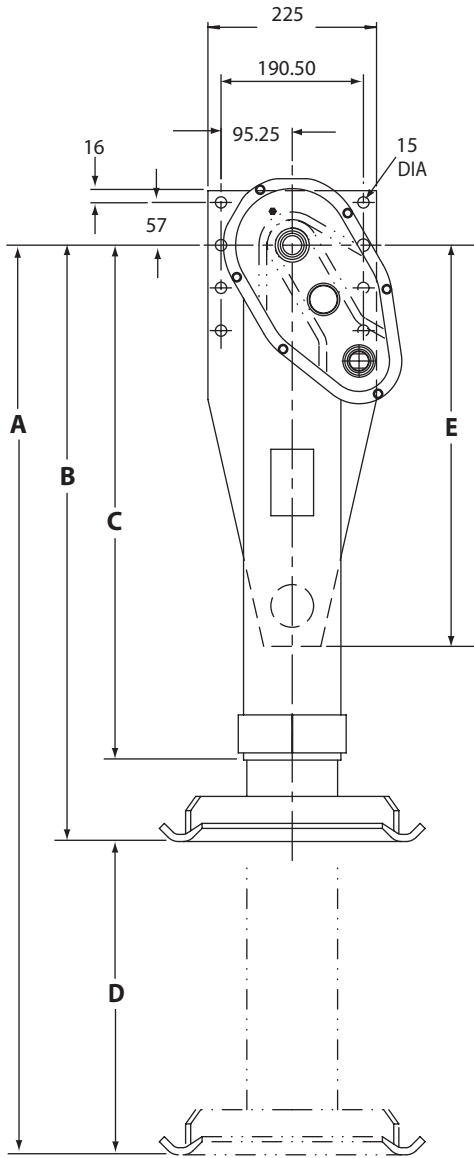
Low Gear	0.8mm
High Gear	10.5mm

#### Crank force per handle :

at 20t Lifting Capacity	30 kg
at 27t Lifting Capacity	37 kg

Holland reserves the right, without prior notice, to change specifications and dimensions

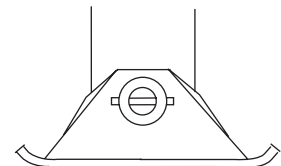
# LGH SERIES LANDING GEAR - DIMENSION TABLE



	A	B	C	D	E
<b>Self Level Foot</b>					
LGH-1A012	1041	721	622	343	460
LGH-2A012	1140	759	660	381	460
LGH-3A012	1231	798	688	419	536
LGH-4A012	1273	826	716	447	536
LGH-5A012	1331	856	752	475	536



	A	B	C	D	E
<b>Skid Foot</b>					
LGH-1A212	1059	754	622	305	460
LGH-2A212	1135	792	660	343	460
LGH-3A212	1212	820	688	391	536
LGH-4A212	1270	848	716	422	536
LGH-5A212	1326	884	752	442	536



For spare parts information contact Holland



**SAF-HOLLAND GmbH**  
 Hauptstraße 26  
 D-63856 Bessenbach, Germany  
 Phone: +49 (0) 6095-301302  
 Fax: +49 (0) 6095-301200

**HOLLAND EUROHITCH Ltd.**  
 Hoo Farm Ind. Est. Worcester Rd.  
 Kidderminster, Worcs. DY11 7RA, UK  
 Phone: +44 (0) 1562-732010  
 Fax: +44 (0) 1562-732020

**HOLLAND EUROPE GmbH**  
 Altenkamp 9, D-33758  
 Schloss Holte-Stukenbrock, Germany  
 Phone: +49 (0) 5207-89560  
 Fax: +49 (0) 5207-895656