



# AXLE LIFTS

## TWIN SIDE LIFT SPECIFICATION

**NOTE : Product Discontinued - for  
spare parts information only**



Air Suspension Axle Lift Systems

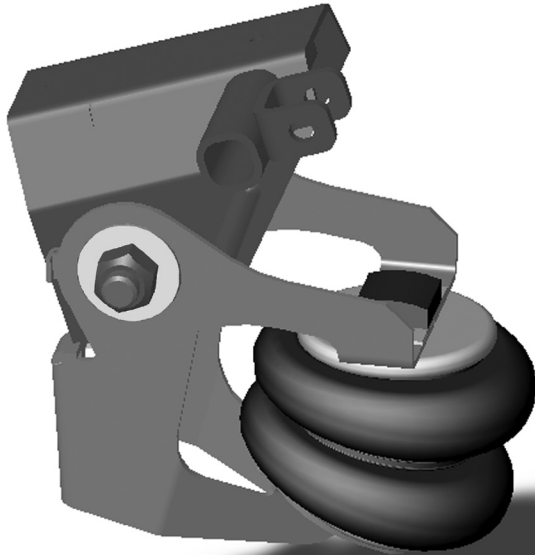
Twin Side Lift suitable for all NSE 90 and  
NSE 110 air suspensions

Weight 20 Kg



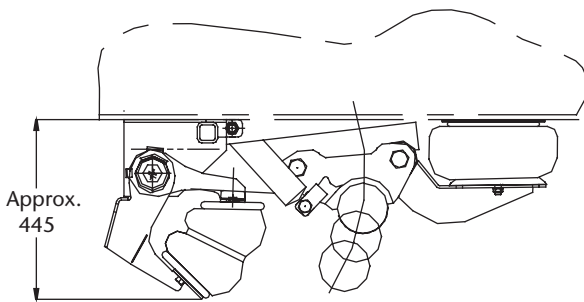
**WARNING**

Mounting must be carried out  
in accordance with Holland  
instructions

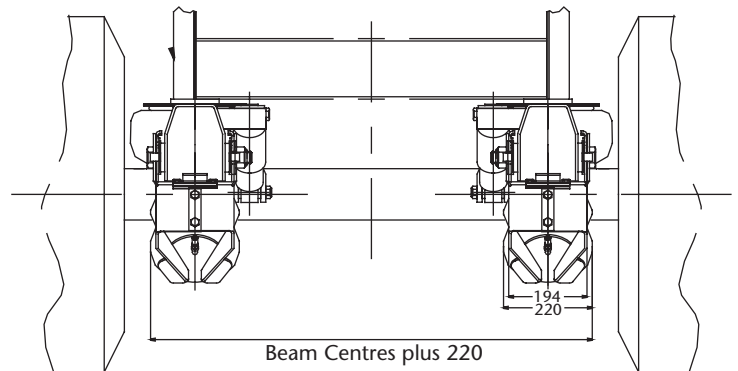


### FEATURES

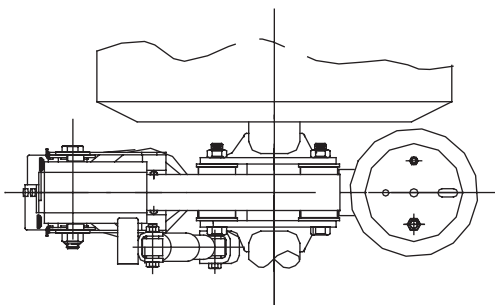
- Easy, bolt on installation
- No welding or additional fixing to trailer frame
- Lightweight twin bag system



Approx.  
445

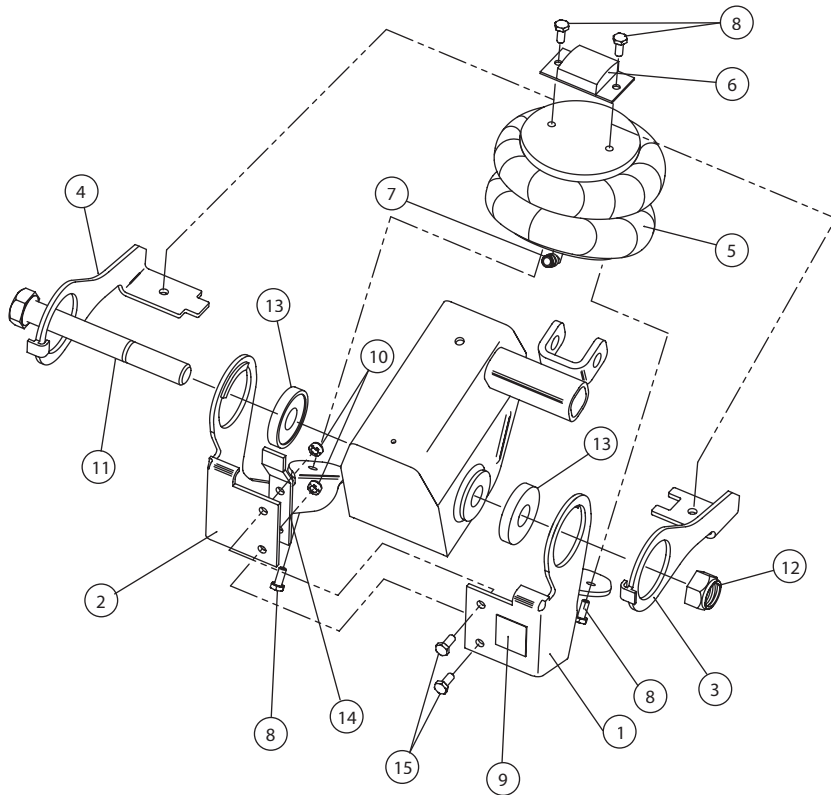


Beam Centres plus 220



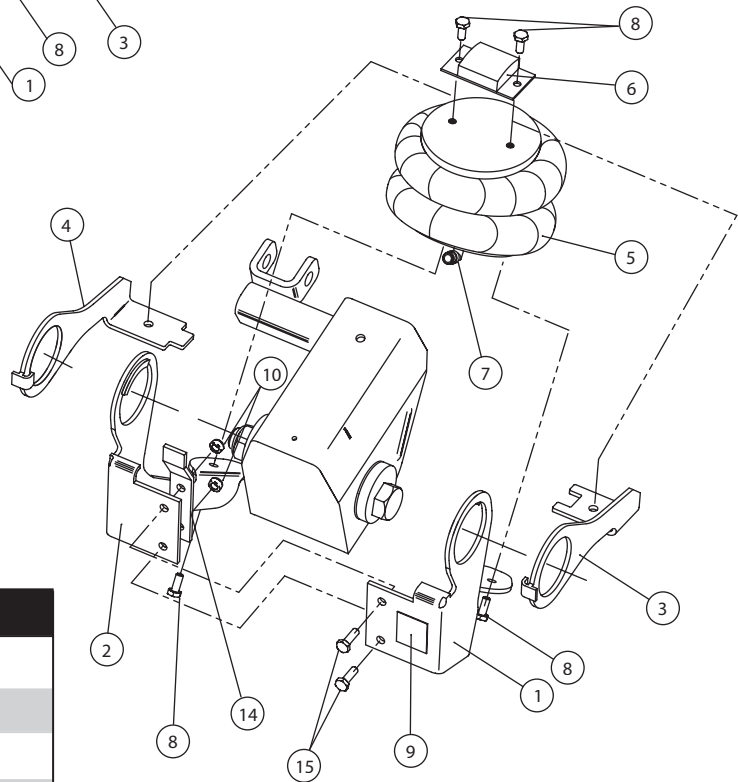
All dimensions in mm

## TWIN SIDE LIFT - SPARE PARTS



◀ Fixed Bracket Side

EZ-ALIGN Bracket side ▶



Item	Part No.	Qty	Description
1	TBA	2	Lower Bracket LH Side
2	TBA	2	Lower Bracket RH Side
3	TBA	2	Upper Bracket LH Side
4	TBA	2	Upper Bracket RH Side
5	TBA	2	Air Spring
6	TBA	2	Rubber Bumper and Plate
7	TBA	2	8mm Air Fitting
8	TBA	8	Bolt M10 x 1.5 x 25 Long
9	TBA	2	Data Plate
10	TBA	4	Nut M10 x 1.5 Nyloc
11	TBA	1	Bolt M30 x 3.5 x 240 Long (fixed side)
12	TBA	1	Nut M30 x 3.5 Nyloc (fixed side)
13	TBA	2	Boss (fixed side only)
14	TBA	2	Keeper
15	TBA	4	Hex Head Bolt M10 x 30



**SAF-HOLLAND GmbH**  
Hauptstraße 26  
D-63856 Bessenbach, Germany  
Phone: +49 (0) 6095-301302  
Fax: +49 (0) 6095-301200

**HOLLAND EUROHITCH Ltd.**  
Hoo Farm Ind. Est. Worcester Rd.  
Kidderminster, Worcs. DY11 7RA, UK  
Phone: +44 (0) 1562-732010  
Fax: +44 (0) 1562-732020

**HOLLAND EUROPE GmbH**  
Altenkamp 9, D-33758  
Schloss Holte-Stukenbrock, Germany  
Phone: +49 (0) 5207-89560  
Fax: +49 (0) 5207-895656