

# 68 T

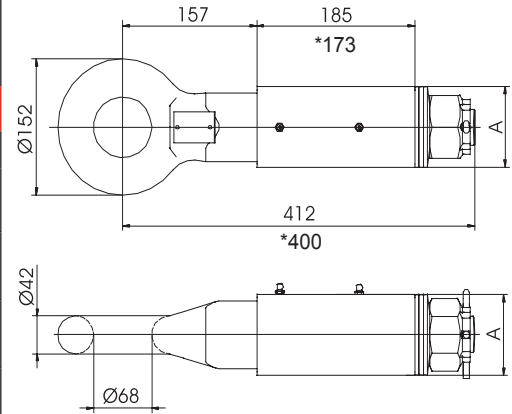
## Occhioni - Drawbar eyes

Occhioni sfilabili  
Removable drawbar eyes



### BNA - NF R41 - 102 - ECE R55

Codice Part number	A [mm]	Valore - Value				Peso Weight [kg]	Omologazione Homologation	Tipo Type
		D [kN]	Dc [kN]	S [kg]	V [kN]			
OC68R05*	80	160	-	-	-	17,5	E11 01-10565	OC68R05
OC68R10	90	200	120	1000	60	21	E11 01-9582	OC68R
OC68R20	100	200	140	1000	90	23,3	E11 01-9629	OC68R20
OC68R30	100 X 100	200	160	1000	140	25	E20 01-3491	OC68R30

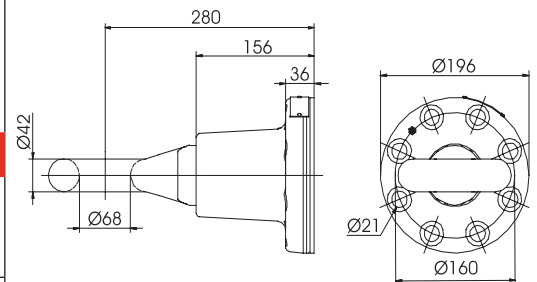


Occhioni flangiati  
Flanged drawbar eyes



### BNA - NF R41 - 102 - ECE R55

Codice Part number	Valore - Value				Peso Weight [kg]	Omologazione Homologation	Tipo Type
	D [kN]	Dc [kN]	S [kg]	V [kN]			
OC68F8E	200	140	1000	90	24	E11 01-8428	OC68F



VITI INCLUSE  
BOLT KIT INCLUDED