



# PRODUCT CATALOGUE

ORIGINAL SPARE PARTS

Edition 2020

Order no. 8 018 1020 00

Failsafe, true to size, and perfectly adjusted to the relevant component or the complete system, so that you can rely 100 % on **SAF-HOLLAND ORIGINAL PARTS** – whatever the application, whatever the circumstances, and all over the world. This means you can be certain of always being able to carry out your transportation orders reliably and highly efficiently, because in addition to their uncompromising quality, **SAF-HOLLAND ORIGINAL PARTS** have the following advantages to offer:

#### 1. WE DELIVER FAST – OFTEN EVEN WITHIN 24 HOURS

Time is money, and machine downtime costs you money, so we maintain a sophisticated logistics system for parts and can thus react quickly if required. You can obtain **SAF-HOLLAND ORIGINAL PARTS** either through our dense global network of more than 9000 competent dealerships and service partners, or directly from one of our own central backup warehouses. So that you can get back on the move again as quickly as possible — often within 24 hours.

#### 2. YOU WILL GET PRACTICALLY EVERYTHING – EX WAREHOUSE

If servicing or repairs are needed, we are at your immediate disposal: Because we have been dealing with the demands of spare part dealers, garages and fleet customers for decades, we are well-placed to be able to cater for them in day-to-day operations. The solid basis for this is the unusually wide and extensive range of **SAF-HOLLAND ORIGINAL PARTS** we offer – and our country organizations throughout Europe always keep stocks of the most important parts. Efficiency from A-Z — on standby ex warehouse.

#### 3. CONTINUOUSLY AVAILABLE – FOR YEARS

Longevity and ease of servicing are just two of the outstanding performance features of our components and systems. They are thus often in use in trucks and trailers for many years without any problems, not least because of the key contribution made by **SAF-HOLLAND ORIGINAL PARTS** towards ensuring their reliability and maintaining their value. This contribution alone is reason enough for us to ensure that you can obtain exactly the part you need at any time — for years.

#### 4. YOU CAN BE CERTAIN THAT YOU ARE GETTING EXACTLY THE PART THAT YOU NEED

It is not only in the development and production of our products that we have always seen ourselves as pioneers. In supplying spare parts, too, we always look for our own, even better solution. Consequently, you will already find a QR-code on many of our components and systems – your electronic key to an immediate overview of all the relevant **SAF-HOLLAND ORIGINAL PARTS**. With it you can unequivocally establish at any time exactly which part you really need. This is not only particularly convenient and practical, but above all 100 % certain.













#### 5. COMPETENCE AND SERVICE – HAND IN HAND

We see ourselves not only as a supplier of highly efficient parts and systems: more than anything else, we are also your guarantee of a continuous and certain supply of spare parts. Accordingly, we are constantly monitoring our standards, and we maintain direct contact with our trade and workshop partners and with our fleet customers. This allows us to put our production quality and the speed and reliability of our logistics to the test again and again, enabling us to improve the **SAF-HOLLAND ORIGINAL PARTS** service systematically — hand in hand with our customers and suppliers.

#### 6. WE ARE THERE FOR YOU – WITH ADVICE AND ASSISTANCE AT THE READY

“The whole is more than the sum of all the parts”, as they say – and that is why for us, supplying spare parts means far more than simply providing them. For us, it also means service and commitment, and we offer practical support as a matter of course – whether it’s a question of giving you personal advice or the practical solution to a problem. Whenever you need **SAF-HOLLAND ORIGINAL PARTS**, we are the crucial “part”, because we will always be there for you – committed, professional and reliable, with advice and assistance at the ready.

**WITH THE QUALITY OF THE ORIGINAL:  
SAVE TIME AND MONEY – AND GAIN CERTAINTY FOR  
PLANNING AND IMPLEMENTATION!**

<p><b>FIFTH WHEELS</b> Lightweight Fifth Wheel</p>		<p>from page</p>	<p>24</p>
<p><b>FIFTH WHEELS</b> Standard Fifth Wheel</p>		<p>from page</p>	<p>32</p>
<p><b>FIFTH WHEELS</b> Recolube</p>		<p>from page</p>	<p>74</p>
<p><b>FIFTH WHEELS</b> Dual Height Fifth Wheel</p>		<p>from page</p>	<p>81</p>
<p><b>FIFTH WHEELS</b> Heavy Duty Fifth Wheel</p>		<p>from page</p>	<p>88</p>
<p><b>SLIDERS</b> Manual and pneumatic model</p>		<p>from page</p>	<p>113</p>
<p><b>MOUNTING PLATES</b> Pre-Drilled, Un-Drilled, Mounting Kits</p>		<p>from page</p>	<p>141</p>
<p><b>ACCESSORIES</b> Anti-theft lock, Steering wedge, Hubodometer, SAF-O-Meter RECOSS®</p>		<p>from page</p>	<p>147</p>
<p><b>LUBRICANTS</b> LiLube® Plus, LiLube® MoS2, LiLube® Expert, Grease cartridge</p>		<p>from page</p>	<p>157</p>
<p><b>KINGPINS</b> 2" and 3½" models</p>		<p>from page</p>	<p>163</p>
<p><b>BALL RACES</b> Single Row and Double Row</p>		<p>from page</p>	<p>193</p>
<p><b>LANDING LEGS</b> HERCULES, Drop leg</p>		<p>from page</p>	<p>203</p>
<p><b>TRILEX® WHEEL SYSTEM</b> Wheelspider, Rims, Spacing rings, Clamps and Bolts</p>		<p>from page</p>	<p>215</p>

# FIFTH WHEEL SECTION GUIDE



6 t

- light distribution traffic
- mid-sized carrier class
- recreational vehicles up to 7.5 t



14/15 t

- Flexible distribution traffic
- Volume carrier
- Two-axle tractor



20 t

- Standard long-distance haulage
- Silo/tank/volume transport
- Two- and three-axle tractors



36 t

- HGV traffic
- Traffic in difficult terrain

## GC 6



Imposed load: 6000 kg  
D-value: 49 kN  
Overall height: 120 mm

Page 24

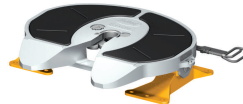
## FW3214-W



Imposed load: 14000 kg  
D-value: 104 kN  
Overall heights: 165, 190, 225 mm

Page 28

## FWAL-E



Imposed load: 20000 kg  
D-value: 150 kN  
Overall heights: 167, 197, 219 mm

Page 69

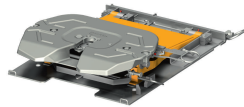
## SK-HD 38.36



Lock size: 2"/3,5"  
Imposed load: 23000 kg (2")  
Load: 36000 kg (3,5")  
D-value: 162/260 kN  
Overall heights: 150, 190 mm

Page 88

## SK-S 36.20 H



Imposed load: 15000 kg  
D-value: 110 kN  
Overall heights: 167 mm  
Lift heights: 100, 150, 200 mm

Page 81

## SK-S 36.20



Imposed load: 20000 kg  
D-value: 152 kN  
Overall heights: 128, 150, 185, 225, 250 mm

Page 32

## SK-HD 38.36 G



Fifth wheel for off-road use with gimbal mounting  
Lock size: 2"/3,5"  
Imposed load: 23000 kg (2")  
Load: 36000 kg (3,5")  
D-value: 162/260 kN  
Overall heights: 290 mm

Page 92

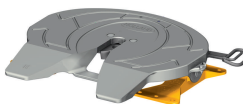
## SK-S 36.20W



Imposed load: 20000 kg  
D-value: 152 kN  
Overall heights: 128, 150, 185, 225, 250 mm

Page 38

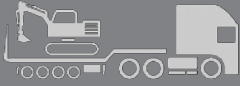
## FW3510



Imposed load: 23000 kg  
D-value: 175 kN  
Overall heights: 150, 180, 200 mm

Page 64

# FIFTH WHEEL SECTION GUIDE



45 – 75 t

- Extremely heavy goods transports and special transports



Terminal

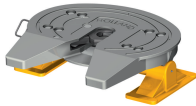
- For transport with terminal tractor units



Harbour

- Special model for harbor applications

## FW0100



Imposed load: 45000 kg  
 D-value: 165/170 kN (2")  
 240 kN (3,5")  
 Overall heights: 230, 270 mm

Page 96

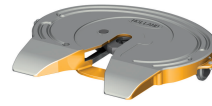
## FW3510-TR



Imposed load: 36000 kg  
 23000 kg\*  
 D-value: 175 kN  
 \* (when used in highway traffic)

Page 104

## FW0E70-T



Imposed load: 45000 kg  
 D-value: 165 kN (2")  
 250 kN (3,5")

Page 108

## FW0165



Imposed load: 74000 kg  
 D-value: 165/170 kN (2")  
 240 kN (3,5")  
 Overall heights: 230, 270 mm

Page 100

## Kingpin



D-value 2"	50S15	165 kN
D-value 2"	50S18	165 kN
D-value 3,5"	90S15	165 kN
D-value 3,5"	90S18	320 kN

Page 163

### Technical Data

The load data specified only applies to operation on paved roads and to transport conditions usual in Central Europe. Please contact us regarding operating conditions which deviate from these. We reserve the right to modify dimensions or design if required. No responsibility is taken for the correctness of the details provided, these are solely intended for technical information.

# ORDER INFORMATION FOR PRODUCTS AND SPARE PARTS

## GENERAL REMARKS

As per the following catalogue you will find the types of fifth wheels available:

1. Choose the type of fifth wheel to fit your requirements and conditions of use.
2. Depending on the model various versions and additional options are available. They can be combined.
3. The required overall height is defined by the height of the mounting brackets and the mounting plates.
4. The fifth wheel can be mounted with a mounting plate on the vehicle frame. Undrilled or already to OEM specific wish predrilled mounting plates are available. Please indicate the type of vehicle when ordering.
5. Alternative solutions are either the weight saving direct mounting or the flexible assembly on a slider.
6. Pre-assembled mounting kits contain all necessary mounting accessories.

Please take note of the ordering information on the product and spare part pages.

## ASSEMBLY AND MOUNTING

When mounting the fifth wheels the SAF-HOLLAND instructions, the assembly instructions of the vehicle manufacturers as well as the respective valid legal regulations are to be followed.

- Please take note of the required locking torque for bolts.
- Self-locking micro-encapsulated bolts are to be exchanged after use.

## OPERATING AND MAINTENANC

The correct operating, maintenance and care prolong the life span of the fifth wheel significantly. Please take note of the operating and maintenance information in your operating manual. Mounting, operating and maintenance instructions are available in PDF format on our homepage [www.safholland.com](http://www.safholland.com).

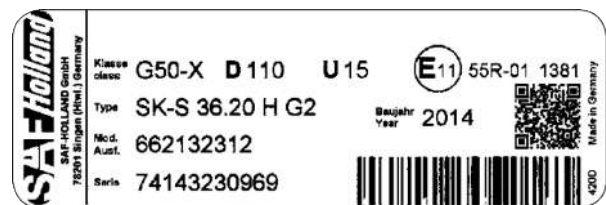
## SPARE PARTS IN ORIGINAL

### QUALITY

Products from HOLLAND and SAF stand out due to their high maintainability. The few moving wearing parts can easily and quickly be exchanged. We recommend the use of original SAF-HOLLAND spare parts which are available in pre-assembled repair kits for wear ring, locking mechanism and bearings. The suitable spare parts for your model are to be found directly after the product page. The spare parts for the phased out range is in a separate chapter. The exploded drawing will help you to locate quickly the part to be exchanged. In the column Disp. indicates the shopping cart icon whether this part can be ordered separately. Repair kits for the standard version SK-S 36.20 are compatible to the versions direct mounting D and mounting angles V as well as the phased out models SK-S 36.20. Repair kits for low maintenance models are also compatible to each other.

### TYPE PLATE

Please always indicate the serial number of your fifth wheel when placing your spare part order, it is located on the manufacturer's plate and laterally engraved at the platemark.



## ENQUIRIES AND ORDERS

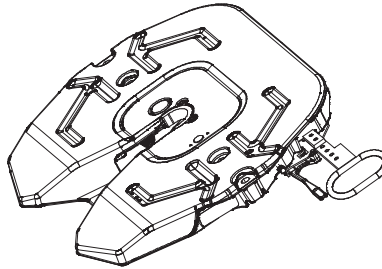
SAF-HOLLAND with its worldwide distribution network will supply you reliably and quickly with products and spare parts. Please contact your nearest SAF-HOLLAND retailer for commercial vehicles, representatives or subsidiary. A list of our international representatives and foreign distributors can be found under:

[www.safholland.com](http://www.safholland.com).

# FIXED FIFTH WHEELS AND MOUNTING

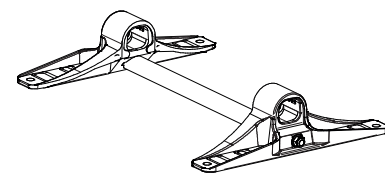
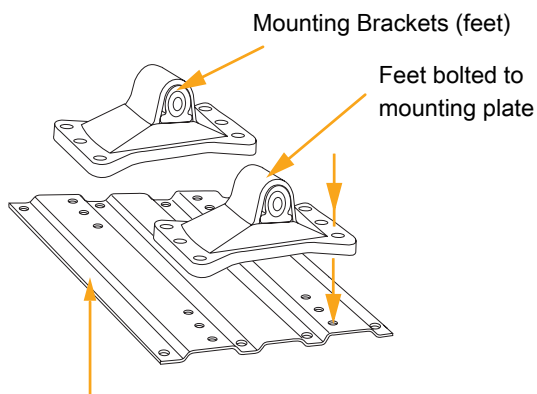
## Top Plate Assembly

SK-S 36.20  
SK-HD 38.36  
etc.



### Conventional ISO Mounting

### Alternative ISO Direct Mounting

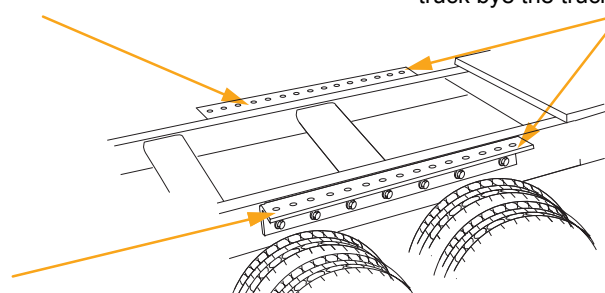


Bracket is bolted directly to L-profile eliminating mounting plate

## Truck Chassis

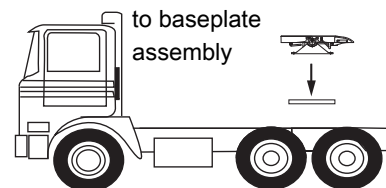
Mounting plate sits directly onto flitch plates and is bolted to them

Standard "L" profile mounting angles (flitch plates) normally fitted on the truck by the truck manufacturer



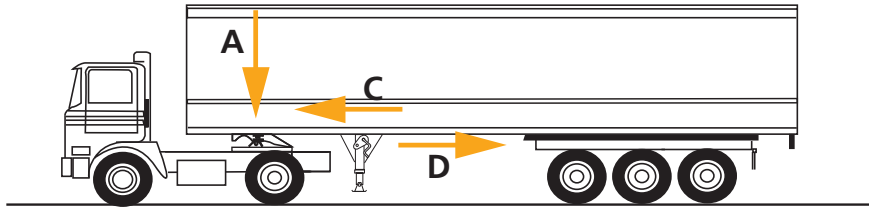
It is common for the holes used for attachment of the baseplate to be pre-drilled in the mounting angles by the truck manufacturer but hole sizes and pitch centres vary with different manufacturers

Fifth wheel bolted to baseplate assembly



## WHAT DOES IT DO?

In conjunction with the kingpin fitted to the trailer its main function is to connect the truck (tractor unit) with the semi-trailer.

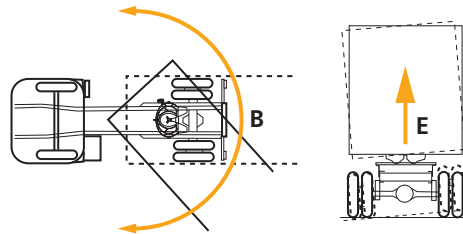


In doing so it must:

- Support the weight of the trailer imposed on it (A)
- Allow the trailer to articulate (trailer pivots relative to tractor on inclines)

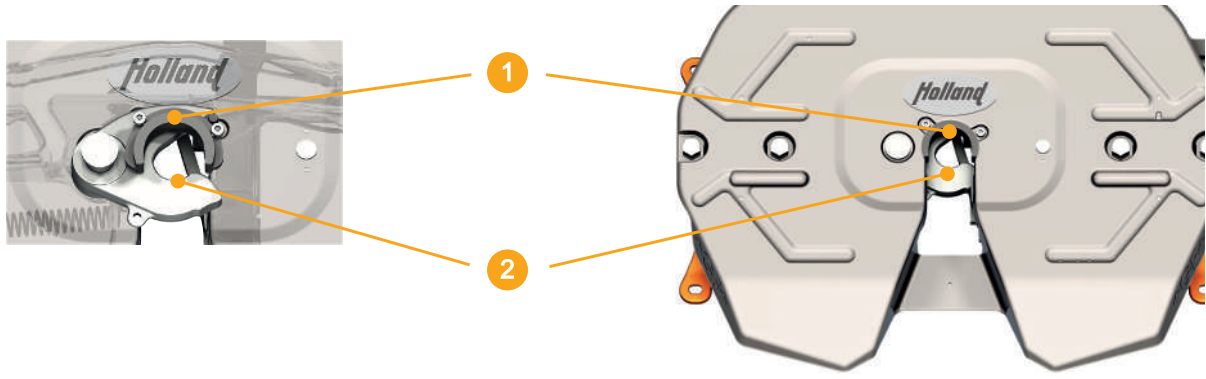
Resist the forces of:

- the trailer pushing forward e.g. under braking (C)
- the trailer “pulling back” on it e.g. starting off / accelerating (D)
- the trailer trying to lift off e.g. when cornering due to roll (E)



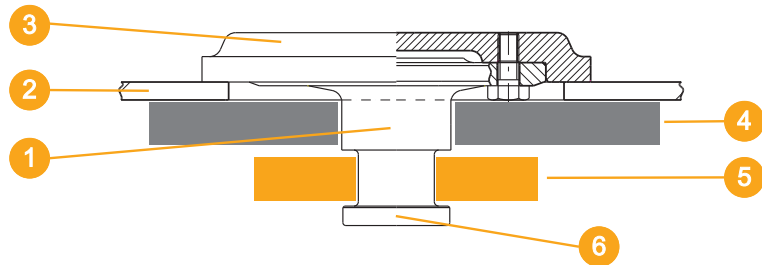
Large flat surface spreads load, supports weight and allows rotation of trailer through contact with trailer skidplate A) and (B)





- 1 Wear Ring Contact Area Resists "Push" (C)
- 2 Coupler Jaw Contact Area Resists "Pull" (D)

To allow free and easy rotation and reduce wear, lubrication is required on the top surface. This is normally grease, note the grease grooves in the top plate to help to retain and distribute the grease.



- 1 Kingpin
- 2 Kingpin Mounting Plate
- 3 Trailer Skidplate
- 4 Fifth Wheel Top Plate
- 5 Fifth Wheel Locks Around Kingpin
- 6 Flange On Kingpin Resists "Lift" (E)

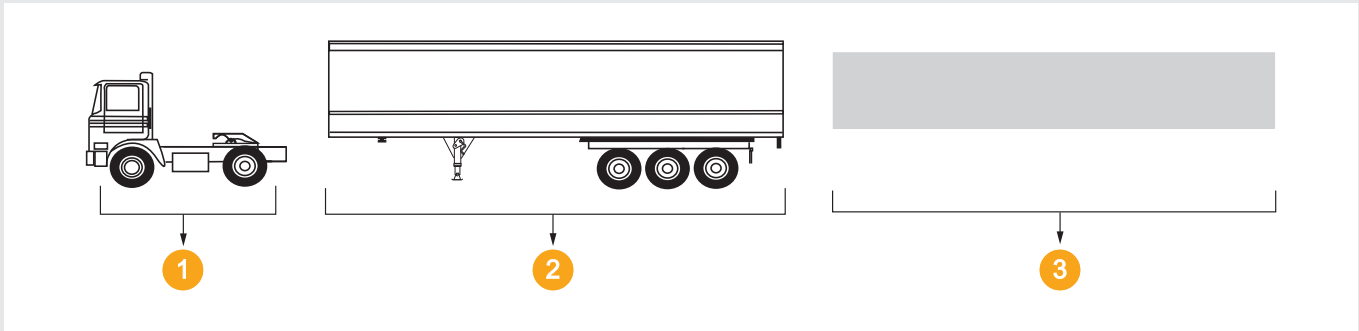
## FIFTH WHEEL RATINGS AND CAPACITIES

All Fifth Wheel couplings will have ratings and capacities which are normally given as:

**Vertical (or Imposed) Load** acting directly on the fifth wheel through the trailer skidplate. There is no vertical load applied through the kingpin.

**D-value** which is defined as the theoretical reference force for the horizontal force between the towing vehicle and trailer.

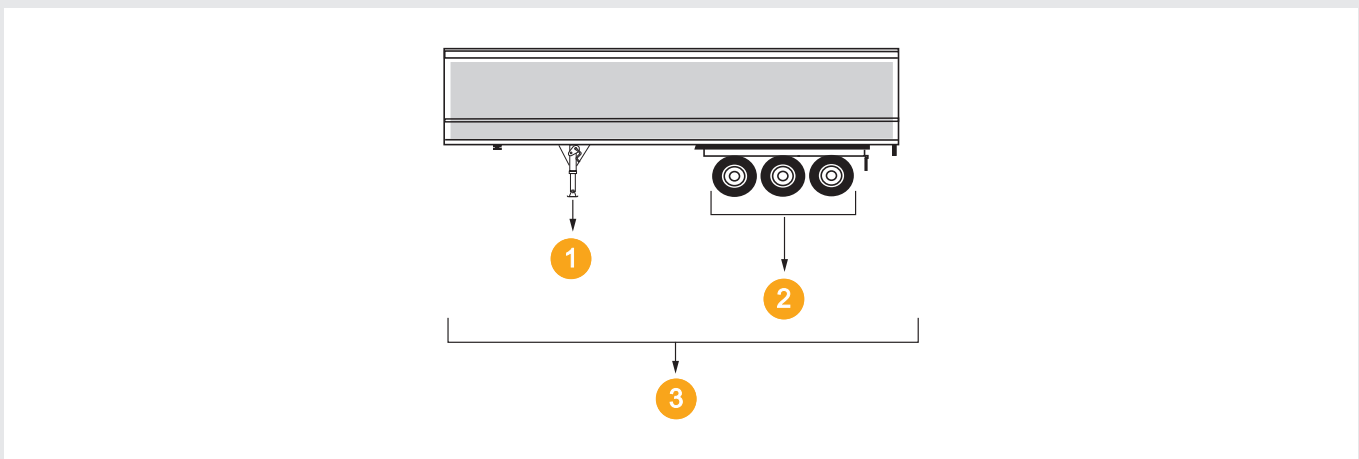
**Gross Combination Weight (GCW)** is the total weight of the tractor unit, trailer and load added together – used only in certain countries as reference. The longitudinal force exerted between the fifth wheel locks and the kingpin. For this reason kingpins also have a D-value rating.



- 1 Weight of tractor 7 tonnes
- 2 Trailer Weight 7 tonnes
- 3 Weight of Load 24 tonnes

With the trailer loaded and supported on its landing legs the load (weight) is distributed between the axle-bogie and the landing legs.

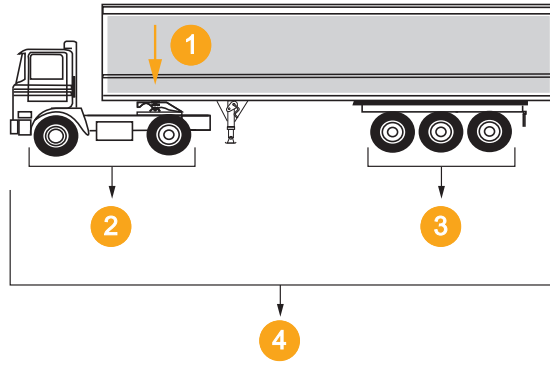
When the trailer is coupled to the tractor unit the load (weight) is distributed between the axles and the fifth wheel.



- 1 Landing Legs 15 tonnes
- 2 Axle-Bogie 16 tonnes
- 3 Total Weight of Trailer and Load 31 tonnes

The weight distribution is different because of the relative positions of the landing legs and kingpin.

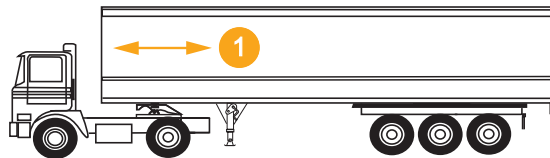
\* The tractor unit weight now includes the 9 tonnes vertical load.



- 1 Vertical Load 9 tonnes
- 2 Tractor\* 16 tonnes

- 3 Bogie 22 tonnes
- 4 Gross Combination Weight 38 tonnes

D-value – a calculation of the forces between the fifth wheel and kingpin when pulling the trailer which are higher during acceleration and braking.



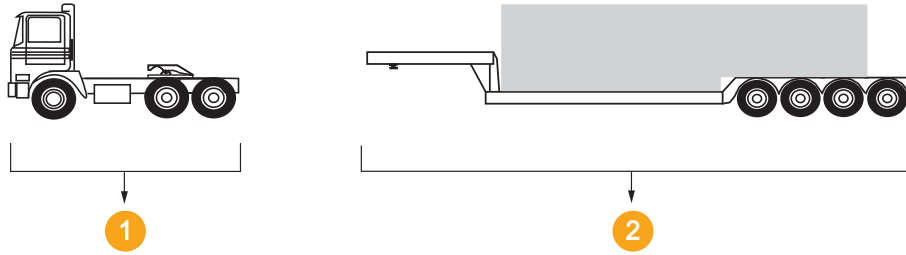
- 1 D-value

To be correct for the application a fifth wheel must have the appropriate Vertical Load and D-value.

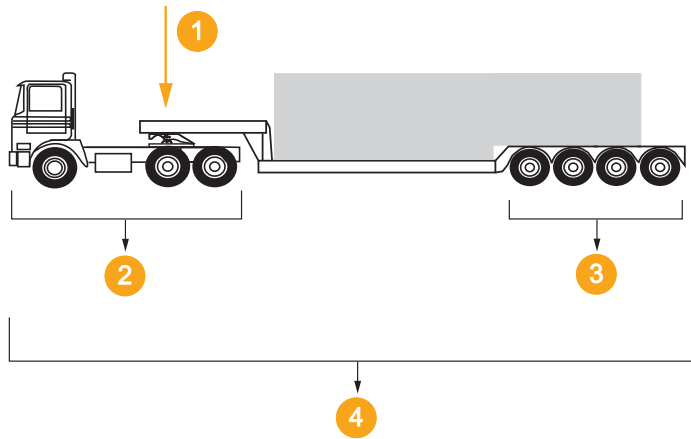
**Vertical Load imposed by fully loaded trailer must be at or below fifth wheel rating. D-value of fully laden combination must be at or below fifth wheel rating.**

It is not possible to balance one figure against another.

## WEIGHT DISTRIBUTION FOR A TYPICAL HEAVY DUTY COMBINATION



- 1 Weight of Tractor 9 tonnes
- 2 Total Weight of Trailer and Load 71 tonnes



- 1 Vertical Load 21 tonnes
- 2 Weight of tractor\* 30 tonnes
- 3 Weight on Bogie 50 tonnes
- 4 Gross Combination Weight 80 tonnes

\* The tractor unit weight now includes the 21 tonnes vertical load

### NOTES SPECIFIC TO HEAVY DUTY FIFTH WHEELS:

80 tonnes GCW is the maximum GCW at which a 2" kingpin should be used, generally the D-value limitation will take care of this (see above example), however, we should always work to this limitation — **max. GCW on a 2" kingpin is 80 tonnes** — even if the D-value calculation would allow a higher GCW.

# D-VALUE CALCULATION

## GENERAL INFORMATION

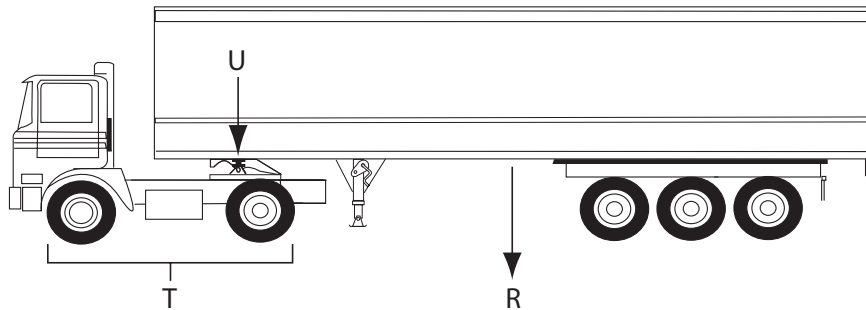
All fifth wheels and kingpins, tested and approved under 94/20/EG and ECE-R55 regulations are given a D-value rating as an indication of the maximum horizontal force permitted between the towing vehicle and trailer.

In order to confirm the suitability of a particular fifth wheel or kingpin for a given tractor/trailer combination it is necessary to carry out a D-value calculation.

## FORMULA

The D-value formula for a tractor and semi-trailer combination is as follows:

$$D = g \times \frac{0,6 \times T \times R}{T + R - U} \text{ (kN)}$$



U Vertical load on the fifth wheel

T Weight of towing vehicle including the vertical load on the fifth wheel

R Total weight of the loaded semi-trailer

g Acceleration due to gravity (assumed to be 9.81 m/s<sup>2</sup>)

## DEFINITION

The “D-value” is defined as the theoretical reference force for the horizontal force between towing vehicle and trailer.

The D-value is taken as the basis for horizontal loads in the dynamic tests for all automatic coupling devices between a towing vehicle and trailer.

## EXAMPLE CALCULATION

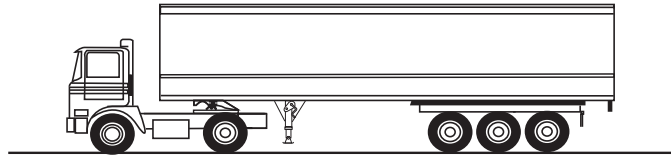
T = 17 (Tractor weight 7 t plus vertical load 10 t), g = 9.81

$$D = 9,81 \times \frac{0,6 \times 17 \times 33}{17 + 33 - 10} \text{ (kN)}$$

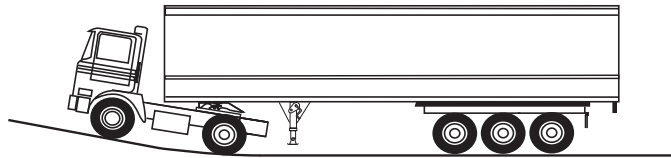
R = 33 (10 t imposed on fifth wheel and 23 t on rear bogie), U = 10

# THE EFFECT OF GRADIENTS

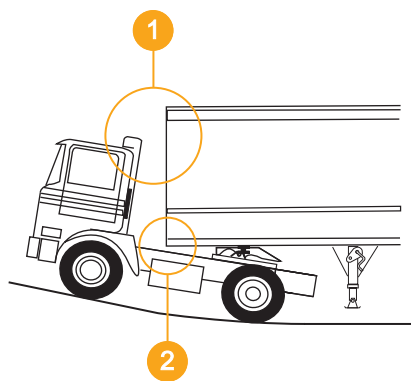
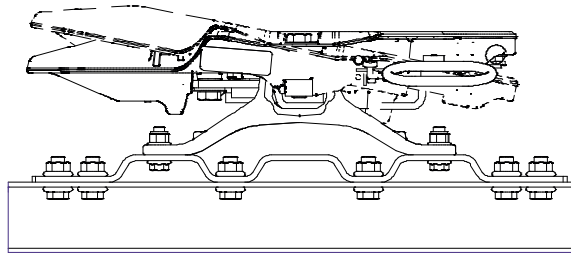
On a level road



Starting to go uphill



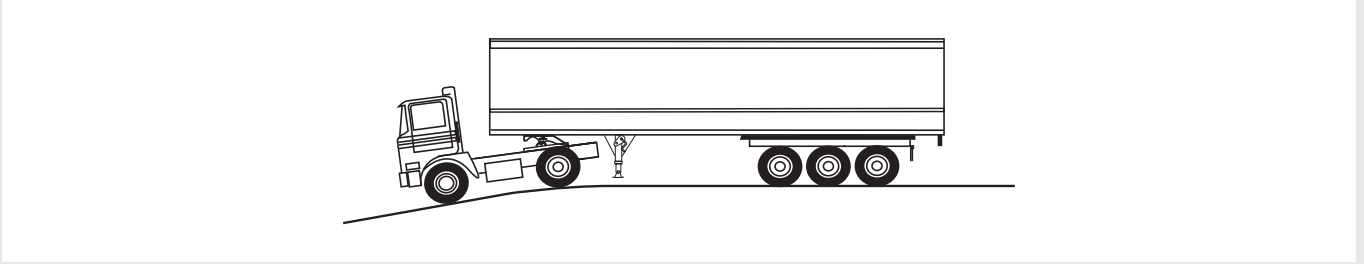
Fifth wheel articulates (or oscillates) forward.



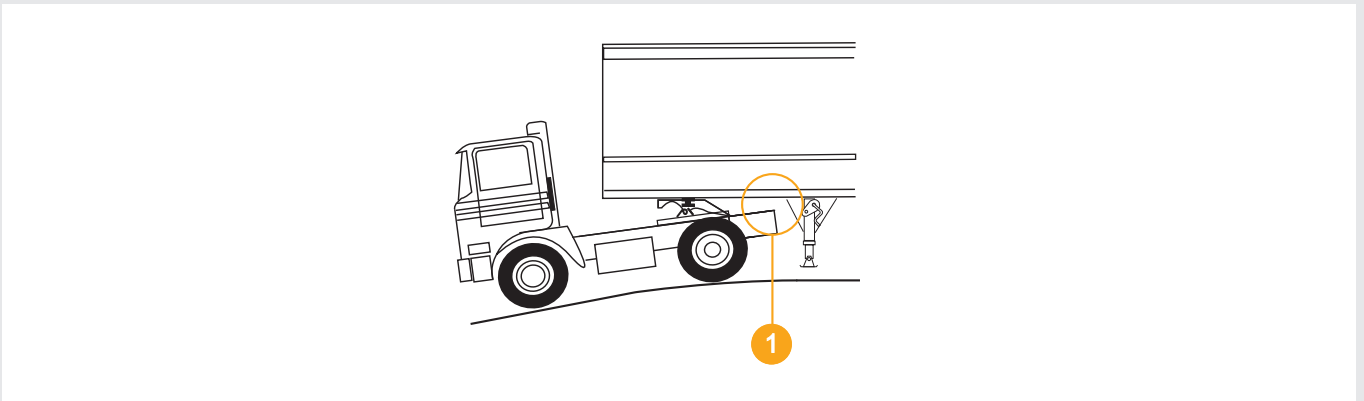
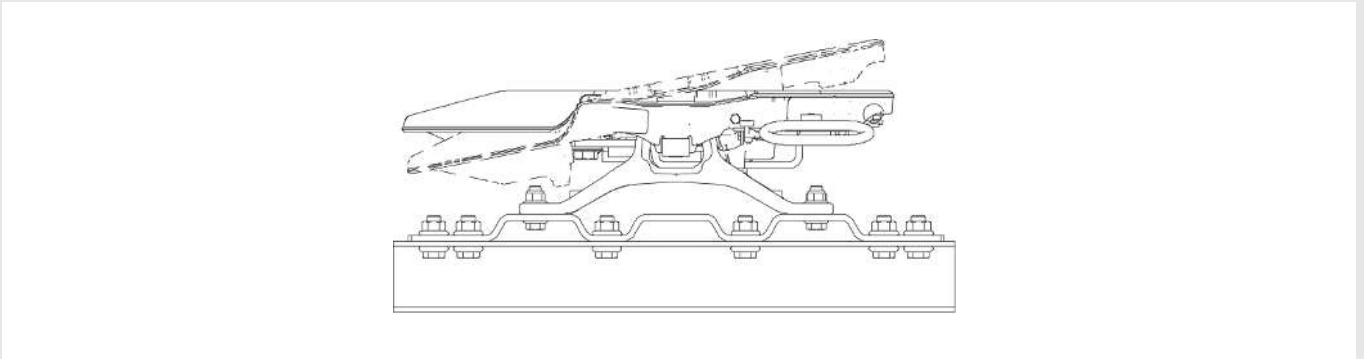
- 1 Reduced clearance between Tractor Cab and Trailer
- 2 Reduced clearance between top of Chassis and Trailer

There must be a minimum of 6° free articulation when the tractor and trailer are coupled.

## Downhill



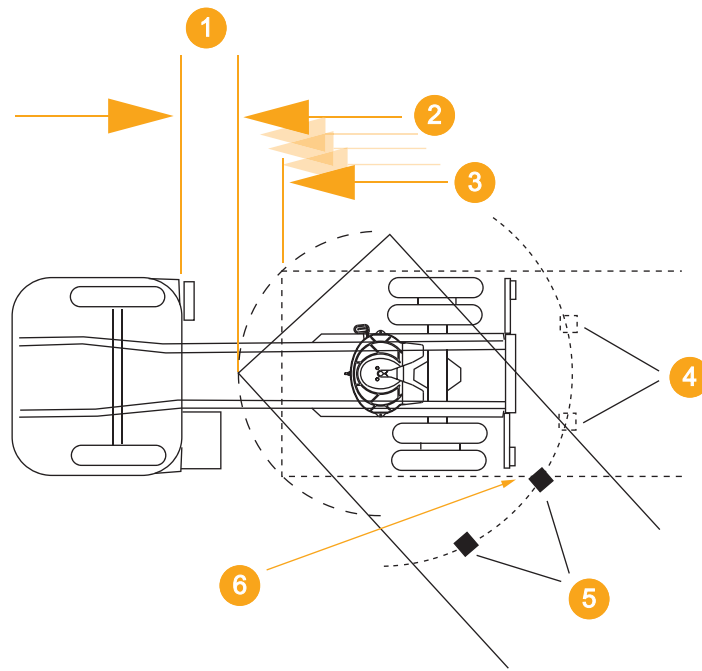
Fifth wheel articulates (or oscillates) to the rear.



1 Reduced clearance between rear of Chassis and Trailer

There must be a minimum of 7° free articulation when the tractor and trailer are coupled.

# EFFECTS OF TURNING

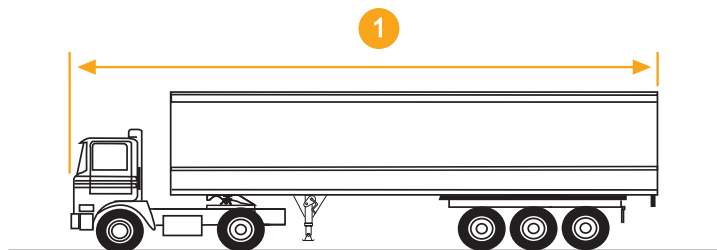


- |                      |   |
|----------------------|---|
| 1 Cab clearance      | 4 Landing Gear by travelling in line                    |
| 2 Cornering          | 5 Landing Gear during cornering                         |
| 3 Travelling in line | 6 Reduced clearance at rear of chassis during cornering |

Clearance at rear of chassis also reduced during cornering

Imagine then the effect of turning and beginning to climb a hill at the same time – the combined effect of turning and climbing will reduce cab clearance even more.

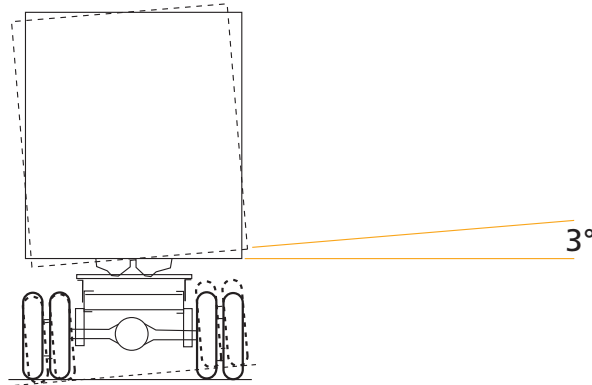
Fifth wheel position is therefore critical for several reasons including the overall length of the combination which is limited by legislation



- |                  |
|------------------|
| 1 Overall length |
|------------------|

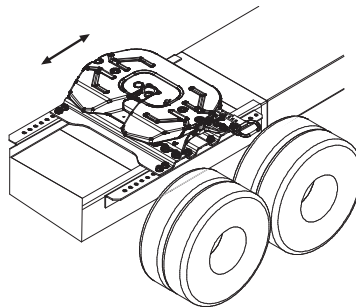


## ROLL BETWEEN THE TRACTOR AND TRAILER



Rotation about the longitudinal axis of up to 3° of movement between the tractor and trailer is permitted. On a standard fifth wheel this occurs as a result of clearance in the fifth wheel to bracket fit, compression of the rubber bushes and also vertical movement between the kingpin and locks may allow some lift of the trailer one side.

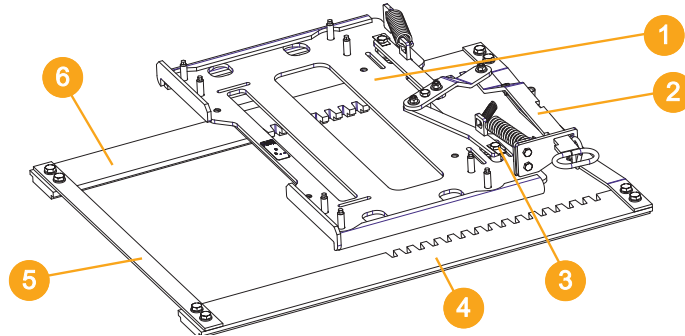
## SLIDING FIFTH WHEELS AND MOUNTING



The fifth wheel can be moved forwards or backwards to accommodate different trailer lengths and/or alter weight distribution on the tractor unit.

# SLIDING FIFTH WHEELS – MOUNTING STYLES

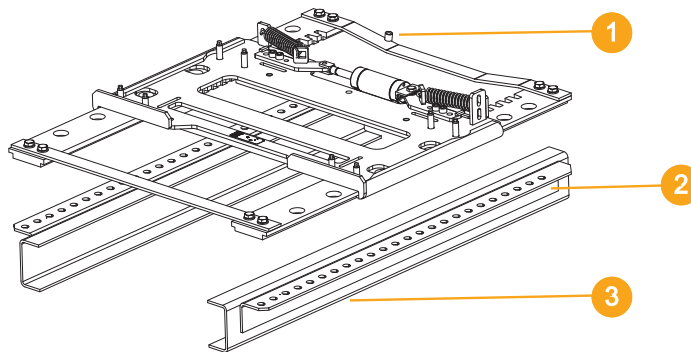
## SLIDER SK-V 20



- |                   |                                    |
|-------------------|------------------------------------|
| 1 Carriage        | 4 Rack                             |
| 2 Cross member    | 5 Base Frame with racks and levers |
| 3 Locking Plunger | 6 Rack                             |

The fifth wheel SK-S 36.20 cpl. is mounted on a carriage which can be moved forward and backward along a base frame. The carriage is locked in position by plungers which lock into of the racks of the base frame.

## SLIDER MOUNTED TO CHASSIS ANGLES



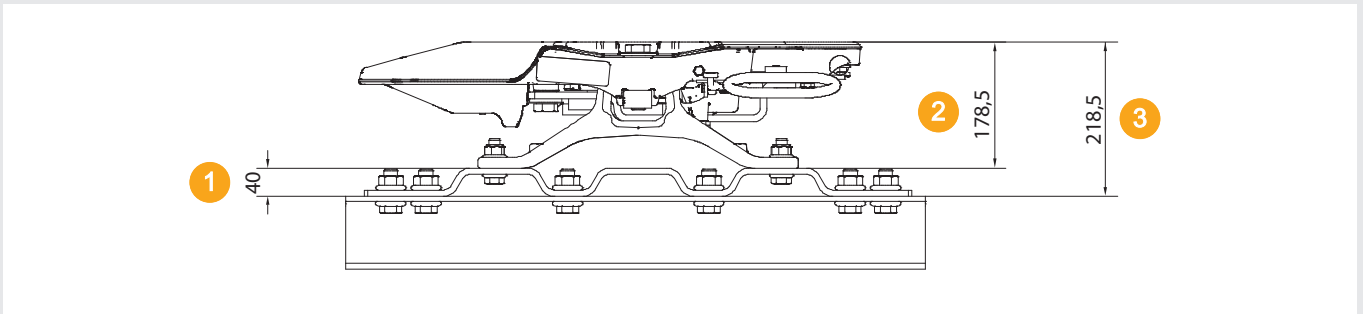
- |                  |
|------------------|
| 1 Sliders        |
| 2 Chassis Angles |
| 3 Truck Chassis  |

Our standard slider for normal roadgoing operations, rated up to 44 tonnes GCW and 18 tonnes vertical load.

The base frame racks are predrilled with holes so that the slider can be bolted directly to the manufacturer's mounting angles without the need for a separate subframe.

# FIXED FIFTH WHEELS – HEIGHT

## CONVENTIONAL ISO MOUNTING

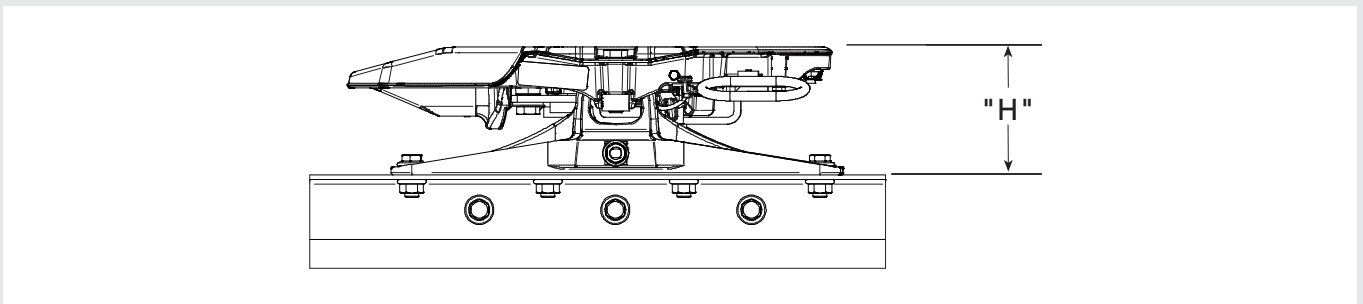


- 1 Height of Baseplate
- 2 "H"
- 3 Installation Height

The fifth wheel height is from the bottom of the mounting bracket to the top surface of the fifth wheel. It does not include the height of the baseplate which needs to be added to the fifth wheel height "H" to give the installation height.

The baseplate/mounting plate height will vary according to the type of mounting. The lowest will be a simple flat plate (usually 12 mm min.) a european style ripple plate is normally 22 mm or 40 mm.

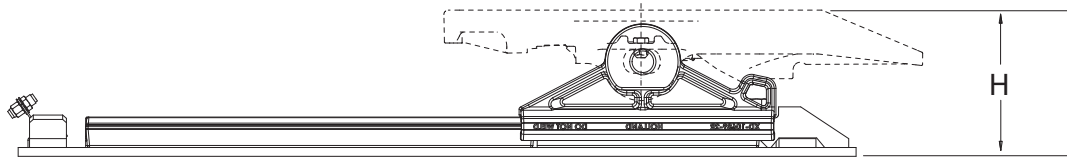
## DIRECT MOUNTING



- 1 "H"

As there is no separate baseplate with a direct-mount installation the fifth wheel height "H" is also the installation height.

## SLIDING FIFTH WHEELS – HEIGHT



H Installation height

For the standard ILS slider the slider height “H” is also the installation height.

## MOUNTING ANGLES / FLITCH PLATES



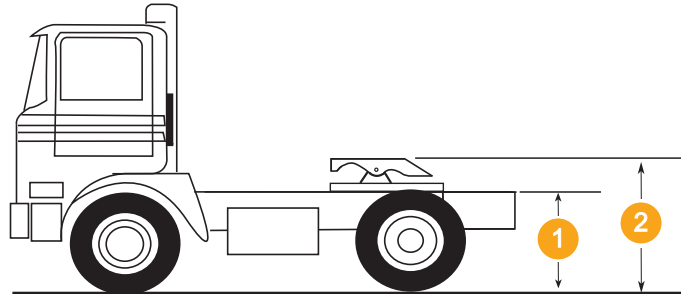
- 1 Truck Chassis Frame
- 2 Mounting Angle

- 3 Flush Mounting Angle
- 4 Raised Mounting Angle

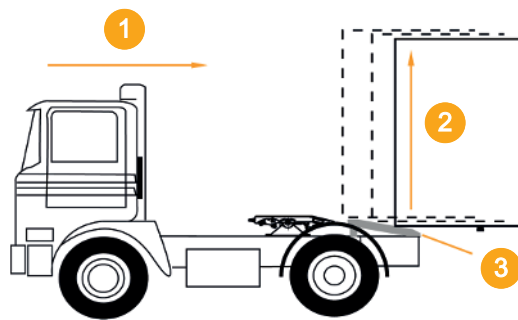
On most vehicles mounting angles are referred to as being “flush” although they are not actually flush with the top of the chassis but actually 3 or 4 mm above the chassis. Some vehicles, usually for heavy duty application, have a mounting angle which is raised by up to 60 mm. Installation height is actually from the top of the mounting angle to the top of the fifth wheel as the baseplate or slider normally sits on top of the mounting angle.

## “FIFTH WHEEL HEIGHT” AND LEAD ON RAMPS

Some customers will ask for a fifth wheel to give a “fifth wheel height” of (for example) 1250 mm. They are talking about the height of the fifth wheel from the ground when installed on the truck. The fifth wheel height will be the chassis height “CH” plus the installation height e. g. a SK-S 36.20 D installed on a tractor with a chassis height of 1060 mm will give the 1250 mm fifth wheel height.



- 1 “CH”
- 2 “FW”



- 1 Tractor reverses into Trailer
- 2 Trailer lifts to correct coupling height as it rides up the ramps
- 3 Lead on ramps

### WARNING:

Chassis height (and fifth wheel height) can be given as laden or unladen always insist on working to the unladen figures.

Lead on Ramps are required by certain (UK) customers. If the trailer is too low during coupling it may hit the rear wings or other components causing damage to the vehicle. With ramps fitted the trailer will ride up the ramps avoiding damage to the wings etc.

### NOTE:

The height of the ramps is critical, it must be high enough to protect the wings but low enough to allow the correct angle of articulation without the underside of the trailer skidplate hitting the top of the ramps. Sometimes this can be a compromise and where the fifth wheel installation height is low it may not be possible and/or practical to fit ramps.

## DEVELOPMENTS IN FIFTH WHEEL TECHNOLOGY



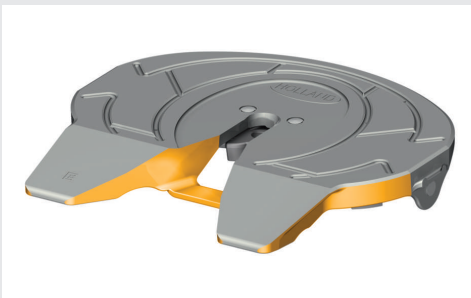
### NOLUBE FIFTH WHEELS

Fifth Wheels developed to reduce maintenance costs, replaceable lube plates on the top surface eliminate the need for grease so reducing servicing time, costs and vehicle downtime. The lock system and components do still require grease / lubrication.



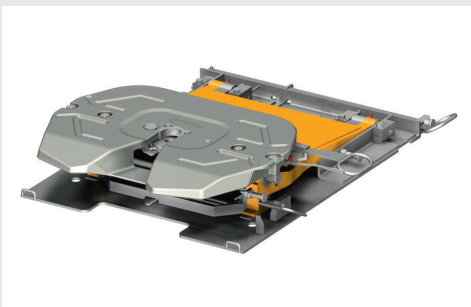
### INNOVATIVE FIFTH WHEEL OF FORGED ALUMINIUM

A further development of the above where lock components, etc. are manufactured with special coatings/treatments eliminating the need for lubrication during the life of the fifth wheel. These fifth wheels can be used in a fleet where other fifth wheels/trailers are still using a greased system – the grease will not harm the NoLube components.



### TERMINAL FIFTH WHEELS E.G. FW 3510-TR

Developed specifically for use on terminal tractors cast in a specially selected extra high grade steel and tailor made for increased loads and durability in this extremely demanding environment. Available with optional manual secondary lock for movement of trailers on the public highway.

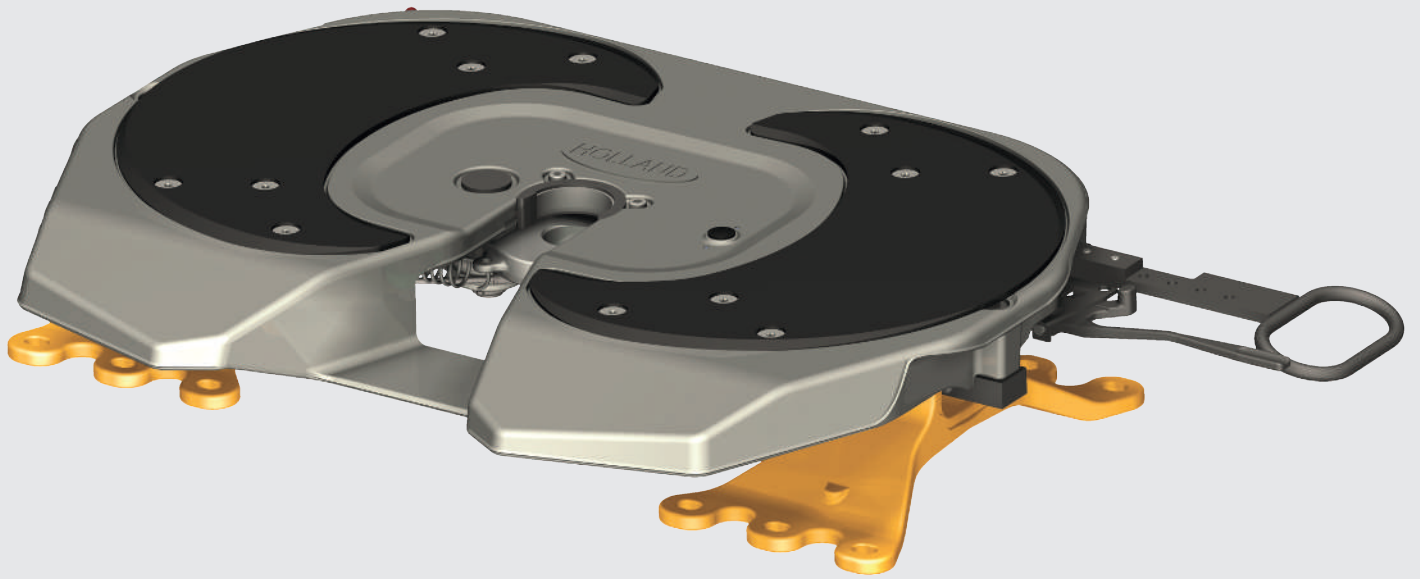


### DUAL HEIGHT FIFTH WHEEL SK-S 36.20 H

A height adjustable fifth wheel which can be used in lowered or raised position. It is designed for volume transportation with 2-axle low liner trucks and mega trailers. The dual height fifth wheel allows in uncoupling condition to elevate the lifting device by air so that trailers with different coupling heights can be coupled with the same truck. The elevating fifth wheel is available pre-drilled to fit all european vehicles.

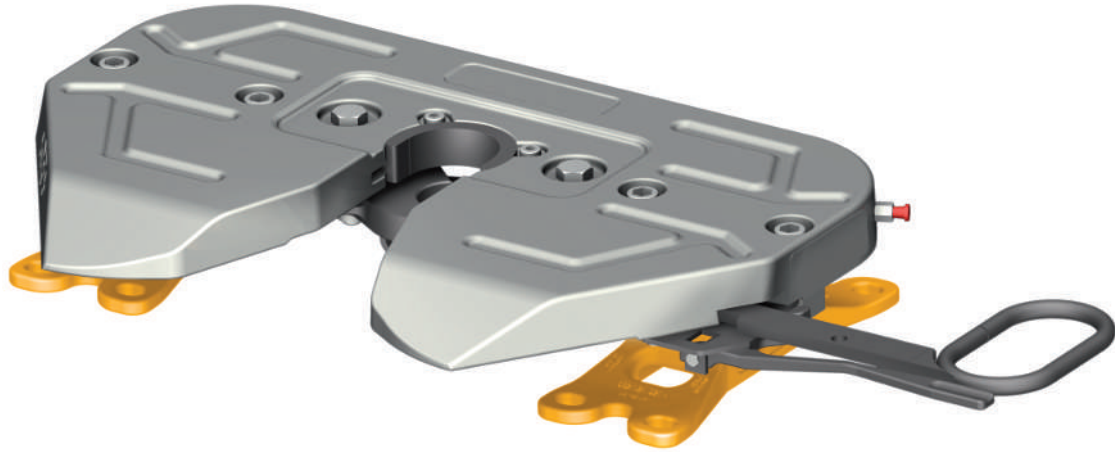


SAF-HOLLAND Group



# FIFTH WHEELS

## GC 6



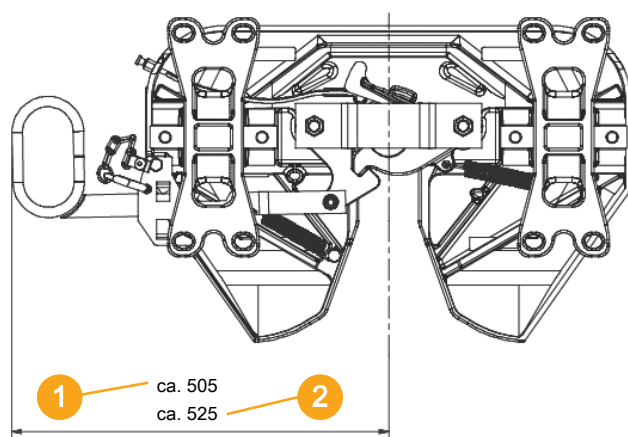
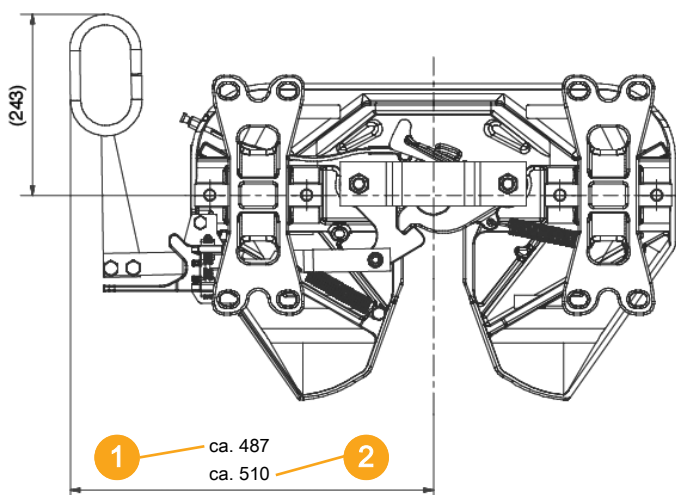
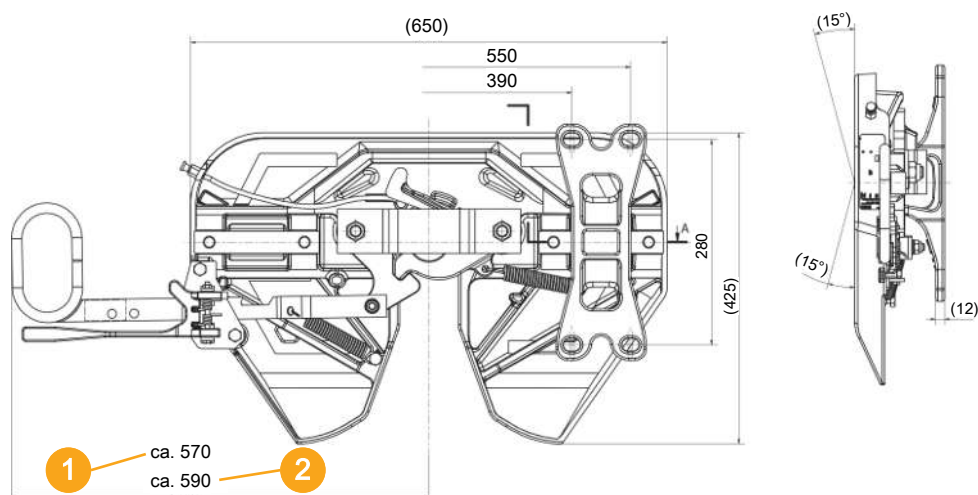
- Approved for forced steering
- ECE Type Approval no: E11 55R-01 6737
- ECE Type Approval no: E11 55R-01 6737
- No mounting plate required

### TECHNICAL DATA

Type	Lock size [Inch]	Overall height [mm]	Imposed load [t]	D-value [kN]	Weight [kg]	Angle of inclination degree (w1/w2)	Order no.
Standard	2"	120	6	49	45	max.15° / max.15°	<b>662121005</b>
grip	2"	120	6	49	45	max.15° / max.15°	<b>662121006</b>
snap hook	2"	120	6	49	45	max.15° / max.15°	<b>662121007</b>



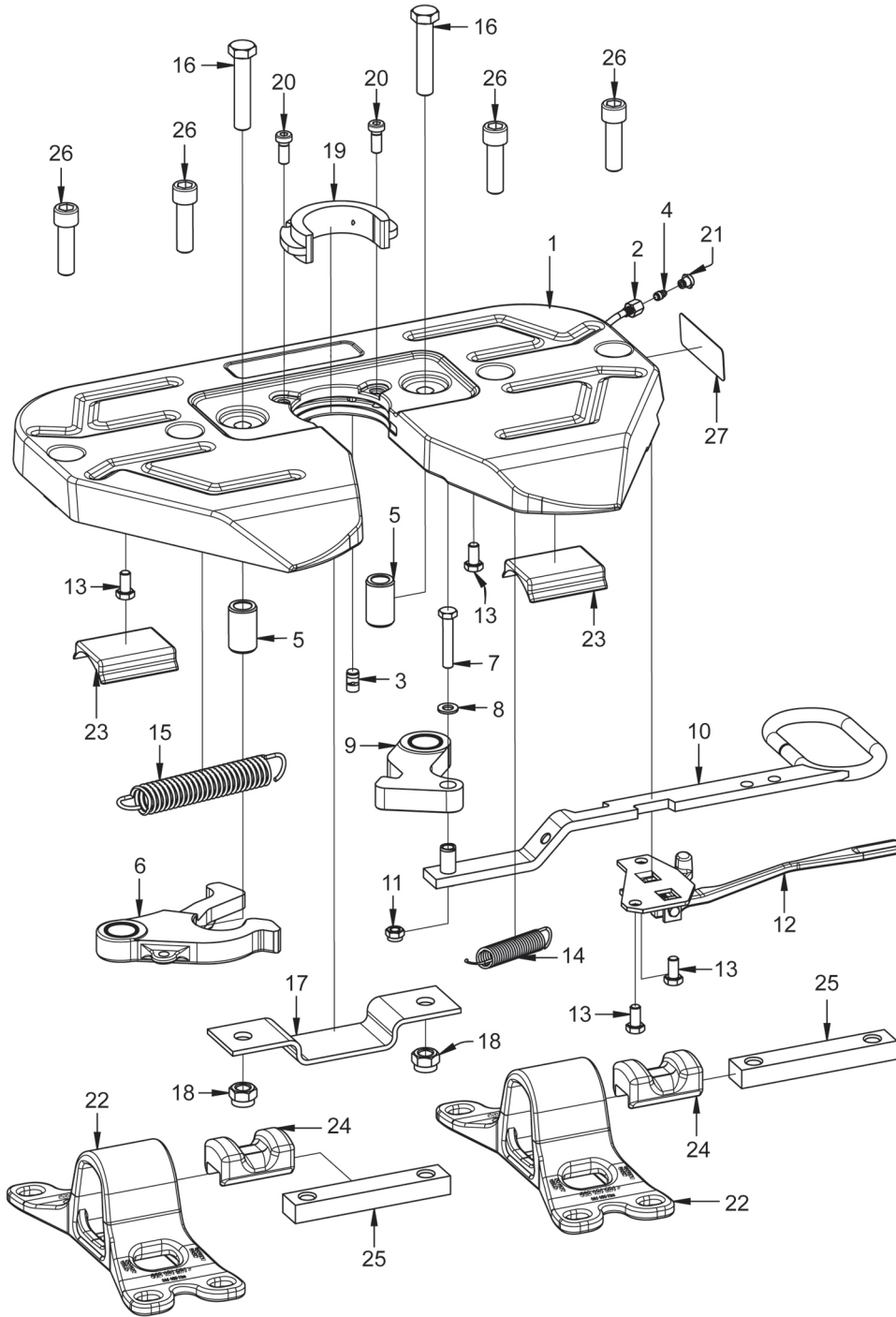
## DIMENSIONS



- 1 In Position "locked"
- 2 In Position "unlocked"

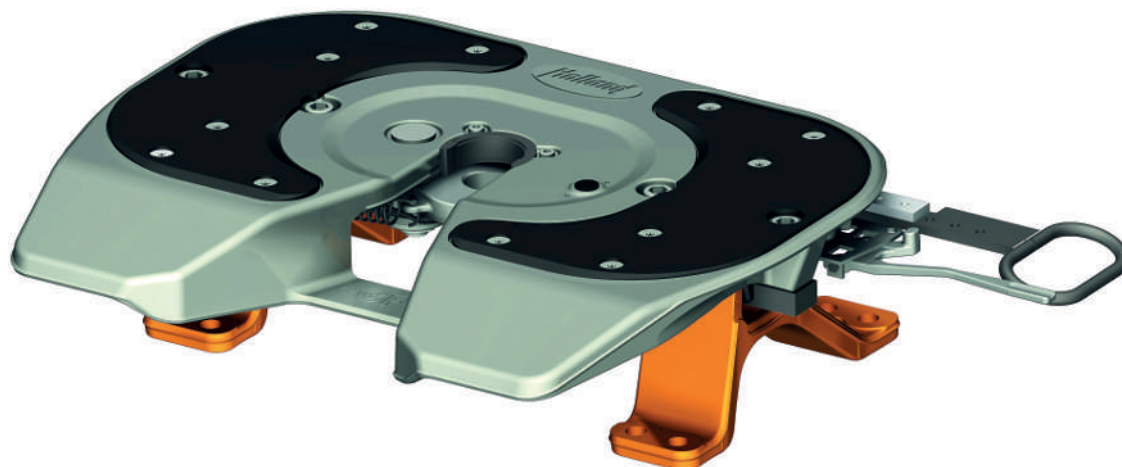
Subject to modifications in dimensions and design

# SPARE PARTS GC 6



Item	Component	Dimensions	Pcs.	Order no.
	Repair kit wear ring (19, 20)			662101534
	Repair kit locking mechanism (6, 16, 18, 19, 20)			662101739
	Repair kit bearing (23, 24, 25, 26)			662101740
	Coupling plate without mounting bracket			662121010
1	Coupling plate		1	
2	Lubrication tube		1	659144160
3	Plug		1	662129380
4	Grease nipple		1	662126224
5	Pin		2	662119141
6	Coupler jaw cpl.		1	
7	Hex-screw		1	659112655
8	U-washer		1	662126175
9	Locking hook cpl.		1	662119139
10	Operating handle		1	662121027
11	Hex-nut		1	659100036
12	Latch cpl.		1	662121031
13	Screw		4	659112359
14	Return spring		1	662121029
15	Return spring		1	662126410
16	Screw	M16x80	2	
17	Holder		1	662119142
18	Safety flange		2	
19	Wear ring		1	
20	Cylinder screw	M10x25	2	
21	Grease fitting cap		1	659144142
22	Mounting bracket	120mm	2	662121021
23	Bearing insert		2	
24	Rubber damping		2	
25	Tensioning bar		2	
26	Cylinder screw with hexagon socket		4	
27	Identification plate		1	

## FW3214-W

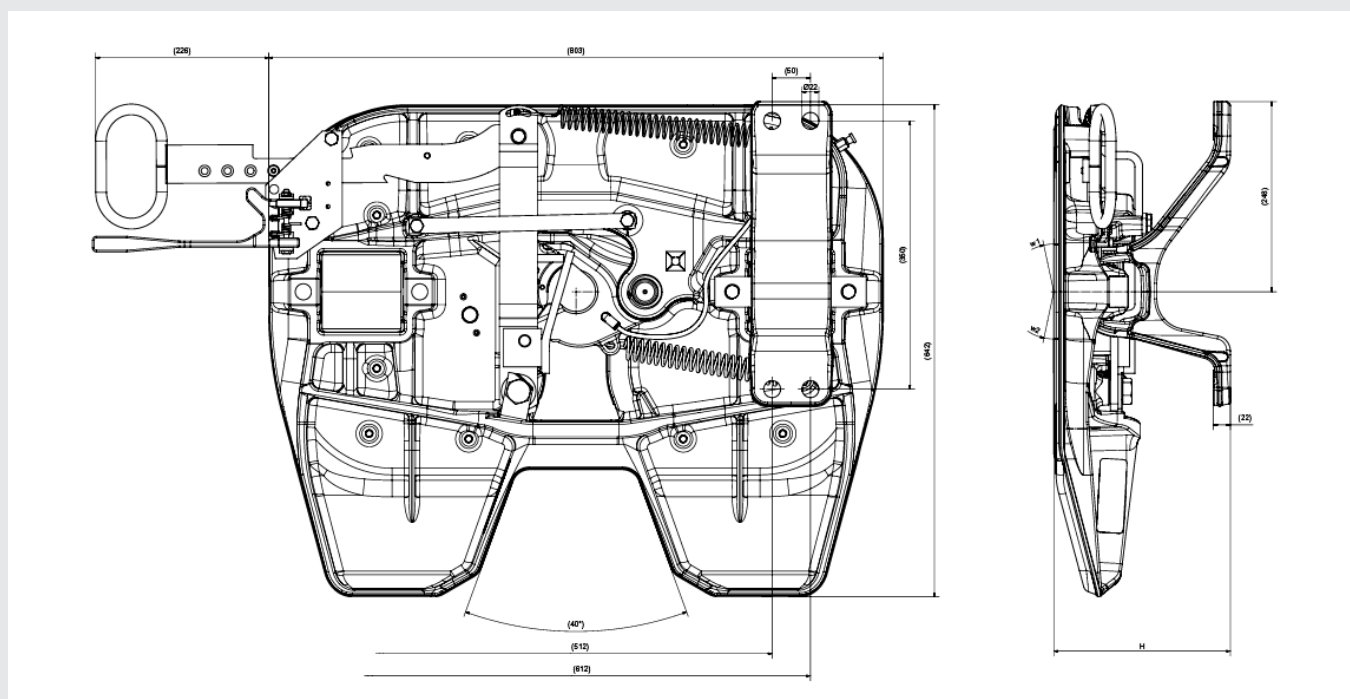


- **Please note:** This fifth wheel is only to be used for the Mercedes-Benz Actros 4 x 2 in certain configurations
- Ideal concept for Mercedes-Benz Antos and Actros 4 x 2 (18 t) tractors with the following specifications:
  - Wheel base 3700 mm with fifth wheel lead 600 mm
  - Wheel base 3850 mm with fifth wheel lead 550, 600, 650, 700, 750 or 800 mm
- The complete fifth wheel and mounting brackets are available from Daimler
- For automatic lubrication of the lock mechanism we recommend the use of our grease dispenser with adaptor (Page 160).
- ECE Type Approval no: E11 55R 017836

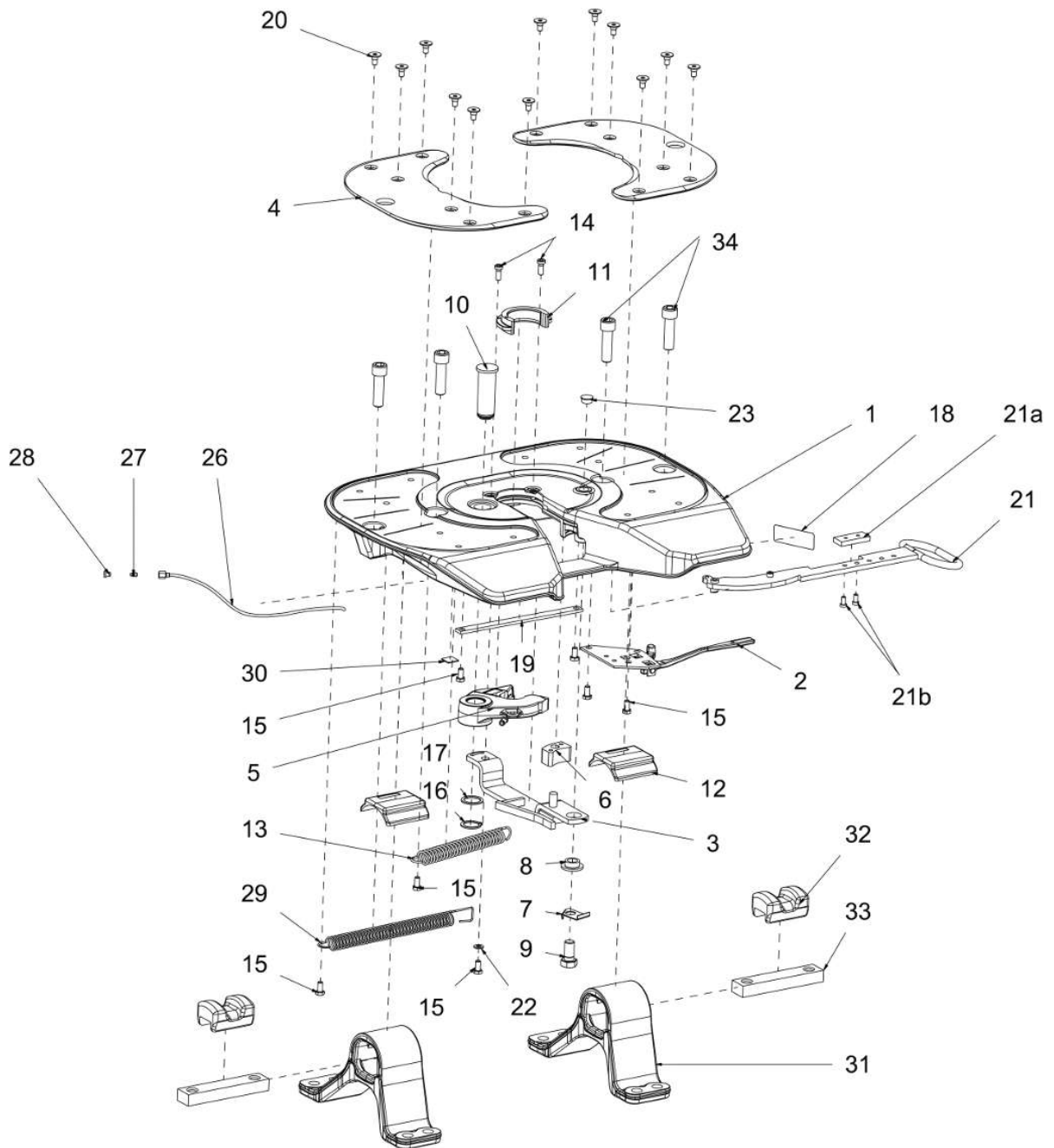
## TECHNICAL DATA

Type	Lock size [Inch]	Overall height [mm]	Imposed load [t]	D-value [kN]	Weight [kg]	Angle of inclination degree (w1/w2)	Order no.
FW3214-W	2	165	14	104	100	12 / 12	
FW3214-W	2	190	14	104	102	12 / 12	
FW3214-W	2	225	14	104	104	12 / 12	

## DIMENSIONS



# SPARE PARTS FW3214-W



Item	Component	Dimensions	Pcs.	Order no.
	Repair kit locking mechanism (5, 6, 7, 9, 10, 11, 14, 16, 17)			<b>662101517</b>
	Repair kit bearing (12, 32, 34)			<b>662101518</b>
	Repair kit wear ring (11,14)			<b>662101534</b>
	Repair kit for wear plate (4, 20)			<b>662101656</b>
	Repair kit locking (K) (K)*			<b>662101752</b>
	Repair kit locking (A) (A) (2, 15)			<b>662101753</b>
	Repair kit Operating handle (15, 21, 22, 29)			<b>662101754</b>
	Repair kit locking hock (3, 7, 8, 9, 15, 19)			<b>662101755</b>
	Repair kit Lubrication tube (26, 27, 28)			<b>662101757</b>
	Coupling plate without mounting bracket		1	<b>662134002</b>
1	Coupling plate		1	
2	Latch cpl.		1	
3	Locking hook cpl.		1	
4	Slider		2	
5	Coupler jaw cpl.		1	
6	Stopper		1	
7	Locking plate		1	
8	Bush		1	
9	Screw	M20x40	1	
10	Pin		1	
11	Wear ring		1	
12	Bearing insert		2	
13	Return spring		1	<b>662126411</b>
14	Cylinder screw	M10x25	2	
15	Screw	M10x20	7	
16	Circlip		1	
17	Supporting washer		1	
18	Identification plate		1	
19	Guide		1	
20	Flange screw		12	
21	Operating handle		1	
21a	Adjustment plate		1	
21b	Cylinder screw	M8x16	2	
22	U-washer	Ø10	1	
23	Plug		1	<b>659140916</b>
24	Protecting cap	6mm	2	<b>662126255</b>
26	Lubrication tube complete		1	
27	Grease nipple	M8x1	1	
28	Grease fitting cap		1	
29	Return spring		1	<b>662134317</b>
30	Mounting base		1	
31	Mounting bracket	Overall height 165mm	2	
	Mounting bracket	Overall height 190mm	2	
	Mounting bracket	Overall height 225mm	2	
32	Rubber damping		2	
33	Tensioning bar		2	
34	Cylinder screw	M20x70	4	

\* The coupling is delivered from the factory only with an automatic locking device. It can be retrofitted with the carabiner safety hook using kit 662 101 752.

## SK-S 36.20 (STANDARD)



- Approved for forced steering
- ECE Type Approval no: E1 55R-01 0218



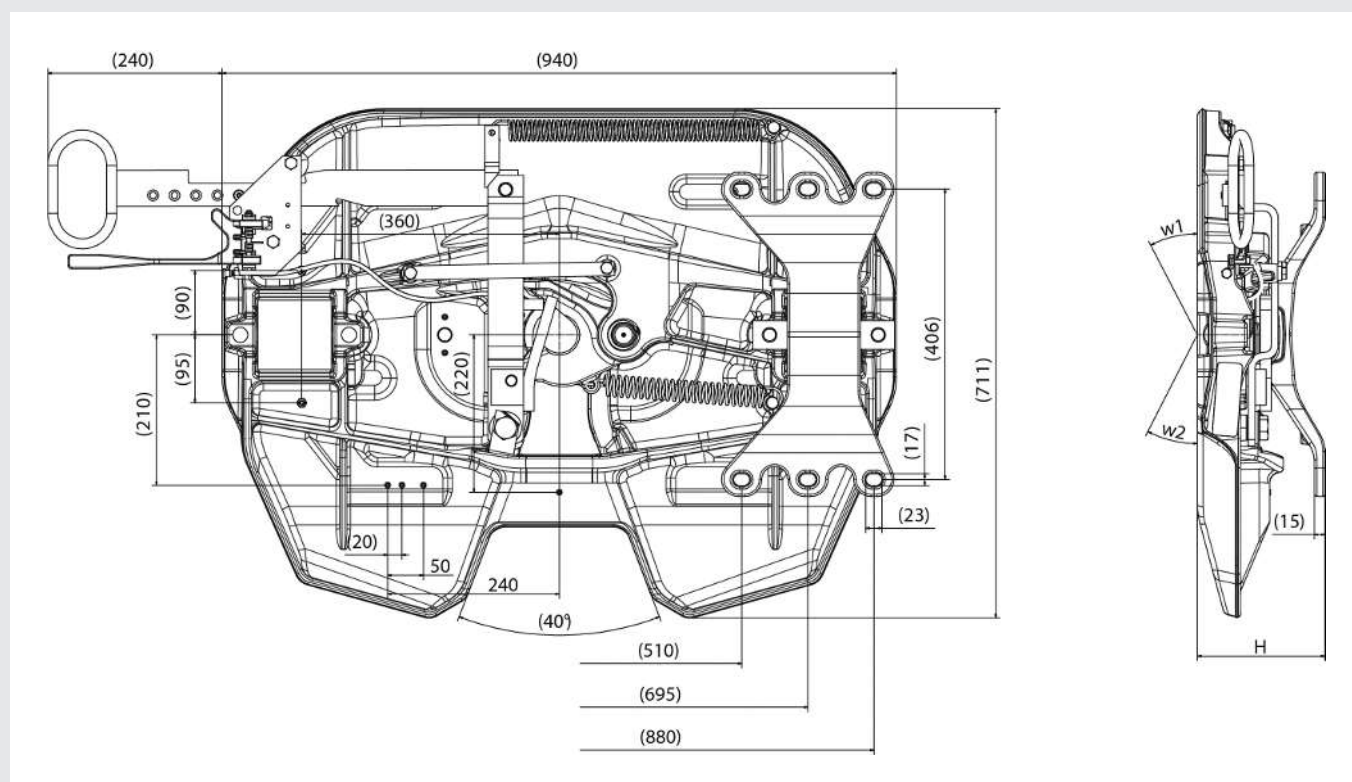
## TECHNICAL DATA

Type	Lock size [Inch]	Overall height [mm]	Imposed load [t]	D-value [kN]	Weight [kg]	Angle of inclination degree (w1/w2)	Order no.
SK-S 36.20	2"	128*	20	152	116	8° / 8°	662129046
SK-S 36.20	2"	150	20	152	116	8° / 13°	662129038
SK-S 36.20 - Export**	2"	150	20	152	125	8° / 13°	662129084
SK-S 36.20	2"	185	20	152	119	17° / 26°	662129048
SK-S 36.20 - Export**	2"	185	20	152	123	17° / 26°	662129085
SK-S 36.20	2"	225	20	152	121	23° / 30°	662129031
SK-S 36.20	2"	250	20	152	131	29° / 42°	662129049

\* Tilt angle in accordance with ISO 1726 for height 128 mm is only guaranteed with our mounting plate MP 486

\*\* Reinforced mounting brackets for applications outside the European Union

## DIMENSIONS

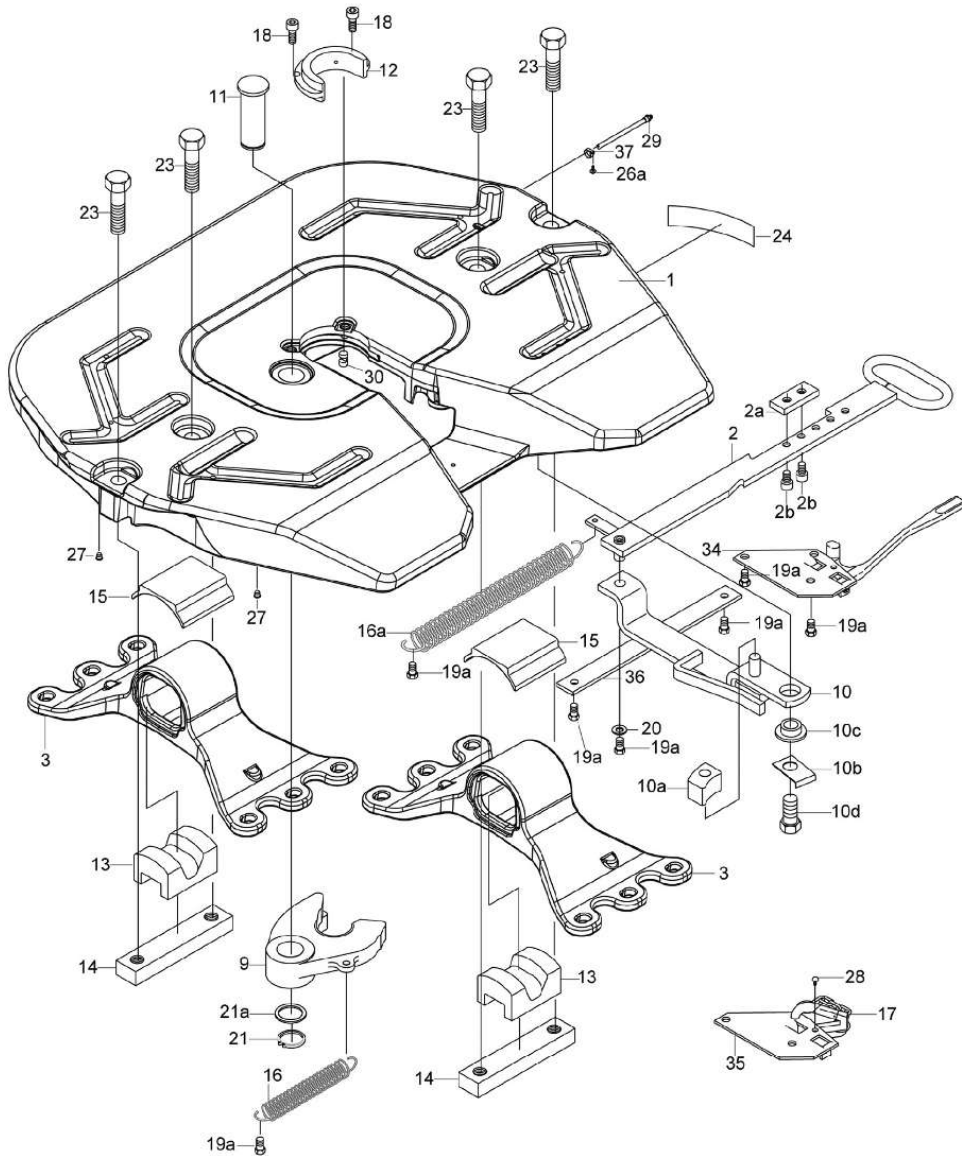


Mounting hole pattern according to DIN 74081

Subject to modifications in dimensions and design

## SPARE PARTS SK-S 36.20

Repair kits also apply to SK-S 36.20 D



Item	Component	Dimensions	Serial no.	Pcs.	Order no.
	Repair kit bearing (13, 15, 23)			1	662101473
	Repair kit locking mechanism (9, 11, 12, 18, 21)		0 - 12999	1	662101475
	Repair kit locking mechanism and bearings (9, 11, 12, 13, 15, 18, 21, 21a, 23)		0 - 12999	1	662101477
	Repair kit locking mechanism (9, 10a, 10b, 10d, 11, 12, 18, 21, 21a)		13000 - ...	1	662101492
	Repair kit locking mechanism and bearings (9, 10a, 10b, 10d, 11, 12, 13, 15, 18, 21, 21a, 23)		13000 - ...	1	662101493
	Repair kit wear ring (19, 20)		0 - 12999	1	662101565
	Repair kit wear ring (12, 18)		13000 - ...	1	662101566
	Repair kit Operating handle			1	662101746
	Repair kit locking hock (10, 10b, 10c, 10d, 19a, 36)			1	662101747

Item	Component	Dimensions	Serial no.	Pcs.	Order no.
	Repair kit locking (A) (19a, 34)			1	662101748
	Repair kit locking (K) (17, 19a, 28, 35)			1	662101749
	Repair kit Lubrication tube (26a, 27, 29, 30, 37, 40, 46, 47)			1	662101750
	Repair kit Return spring (16, 16a)			1	662101751
	Coupling plate without mounting bracket			1	662129003
1	Coupling plate			1	
2*	Operating handle		13000 - ...	1	
2a	Adjustment plate		13000 - ...	1	
2b	Cylinder screw	M8x16	13000 - ...	2	
3	Mounting bracket	128mm		2	662129383
3	Mounting bracket	150mm		2	662129584
3	Mounting bracket	150mm - EXPORT		2	662129384
3	Mounting bracket	185mm		2	662129485
3	Mounting bracket	185mm - EXPORT		2	662129385
3	Mounting bracket	225mm		2	662129389
3	Mounting bracket	250mm		2	662129386
9	Coupler jaw cpl.			1	
10*	Locking hook		13000 - ...	1	
10a	Stopper			1	
10b	Locking plate			1	
10c	Bush			1	
10d	Screw	M20x40		1	
11	Pin			1	
12	Wear ring		13000 - ...	1	
12	Wear ring		0 - 12999	1	
13	Rubber damping			2	
14	Tensionning bar			2	
15	Bearing insert			2	
16	Return spring			1	
16a	Return spring			1	
17	Clipper with linkage			1	
18	Cylinder screw	M10x25	0 - 12999	2	
18	Cylinder screw	M10x25	0 - 13000	2	
19a	Screw	M10x16	0 - 12999	5	
19a	Screw	M10x20	13000 - ...	7	
20	U-washer	Ø10		1	
21	Circlip			1	
21a	Supporting washer			1	
23	Screw	M20x80		4	
24	Identification plate			1	
26	Groove pin	3x8		2	
26a	Groove pin	4x10		1	
27	Protecting cap		0 - 12999	2	
27	Protecting cap		13000 - ...	5	
28	Rivet			1	
29	Lubrication tube complete	L=410	0 - 35177	1	
30	Plug		13000 - ...	1	
34	Automatic latch			1	
35	Latch cpl.		0 - 11999	1	
35	Latch cpl.		12000 - ...	1	
36	Guide			1	
37	Mounting			1	

Item	Component	Dimensions	Serial no.	Pcs.	Order no.
38	Screw	M10x25	0 - 12999	2	
	Fixing nut		0 - 12999	1	<b>662126176</b>
	Grease nipple	M8x1	0 - 12999	1	
	Eyebolt		0 - 12999	1	<b>662126465</b>
	Protecting cap(not shown )		0 - 12999	4	<b>662129393</b>
	Central lubrication kit*				<b>659144148</b>

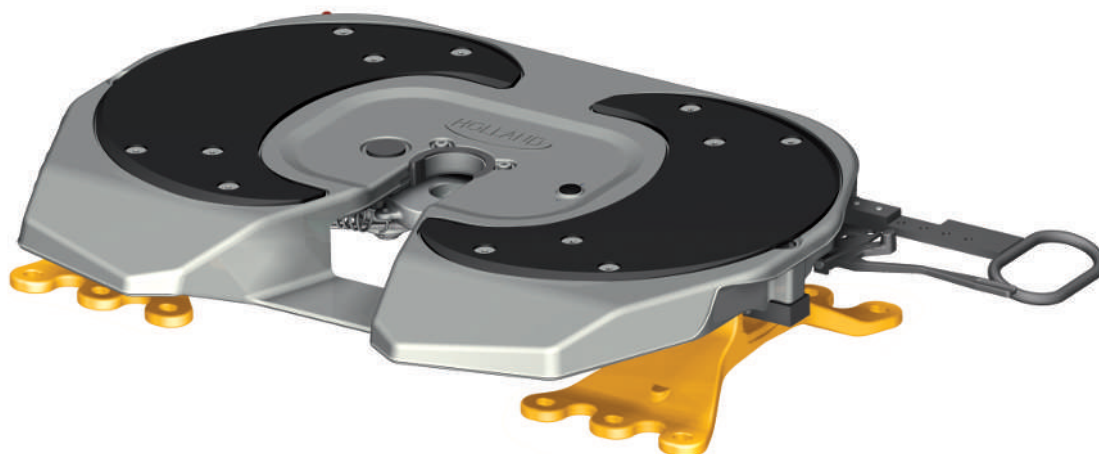
\* Serial no. 0-11999: spare part on request.

Serial no. 12000-12999: both components have to be exchanged when changing the operating handle or the locking hook.

\*\* Not usable with Volvo vehicles.



## SK-S 36.20 W (LOW MAINTENANCE)



- Approved for forced steering
- ECE Type Approval no: E1 55R-01 0218

For automatic lubrication of the locking mechanism we recommend the use of our grease dispenser with adaptor (Page 160).

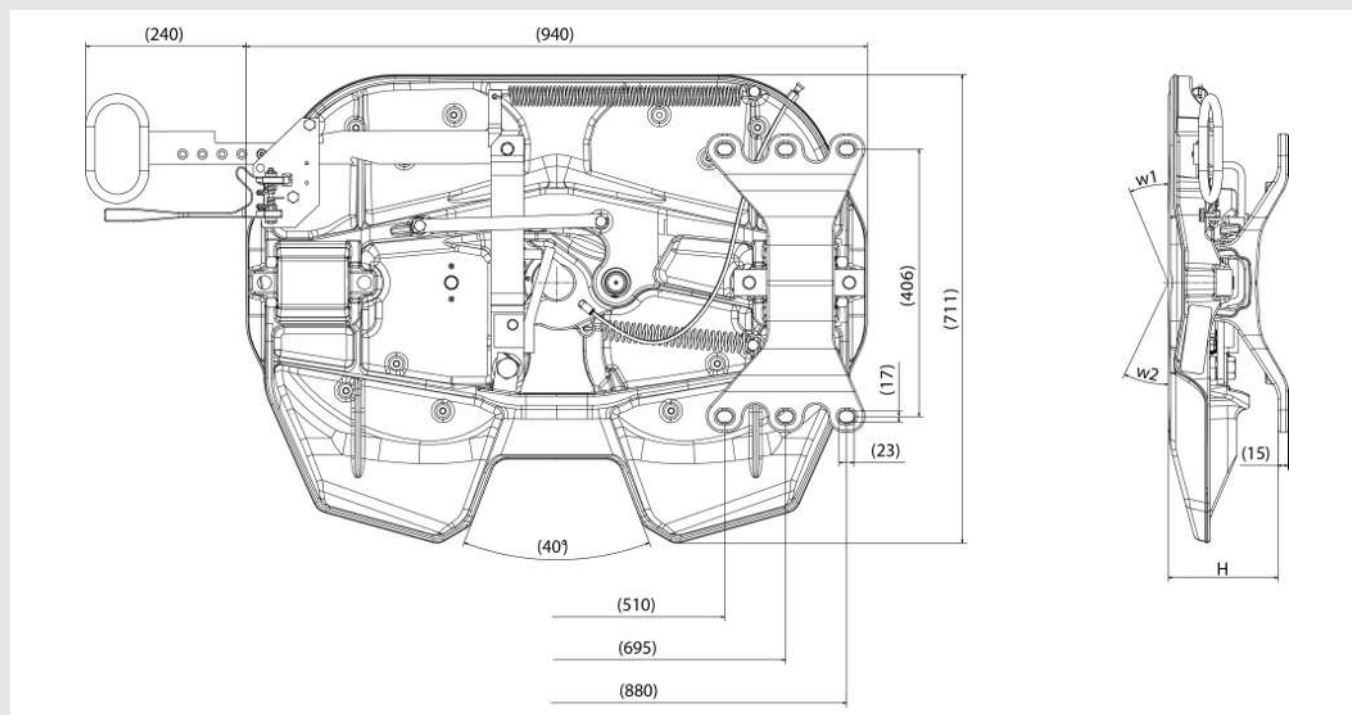
## TECHNICAL DATA

Type	Lock size [Inch]	Overall height [mm]	Imposed load [t]	D-value [kN]	Weight [kg]	Angle of inclination degree (w1/w2)	Order no.
SK-S 36.20 W	2"	128*	20	152	117	8° / 8°	<b>662131011</b>
SK-S 36.20 W	2"	150	20	152	118	8° / 13°	<b>662131088</b>
SK-S 36.20 W - Export**	2"	150	20	152	121	8° / 13°	<b>662131812</b>
SK-S 36.20 W	2"	185	20	152	121	17° / 26°	<b>662131013</b>
SK-S 36.20 W - Export**	2"	185	20	152	124	17° / 26°	<b>662131085</b>
SK-S 36.20 W	2"	225	20	152	124	23° / 30°	<b>662131042</b>
SK-S 36.20 W	2"	250	20	152	134	29° / 42°	<b>662131014</b>

\* Tilt angle in accordance with ISO 1726 for height 128 mm is only guaranteed with our mounting plate MP 486

\*\* Reinforced mounting brackets for applications outside the European Union

## DIMENSIONS

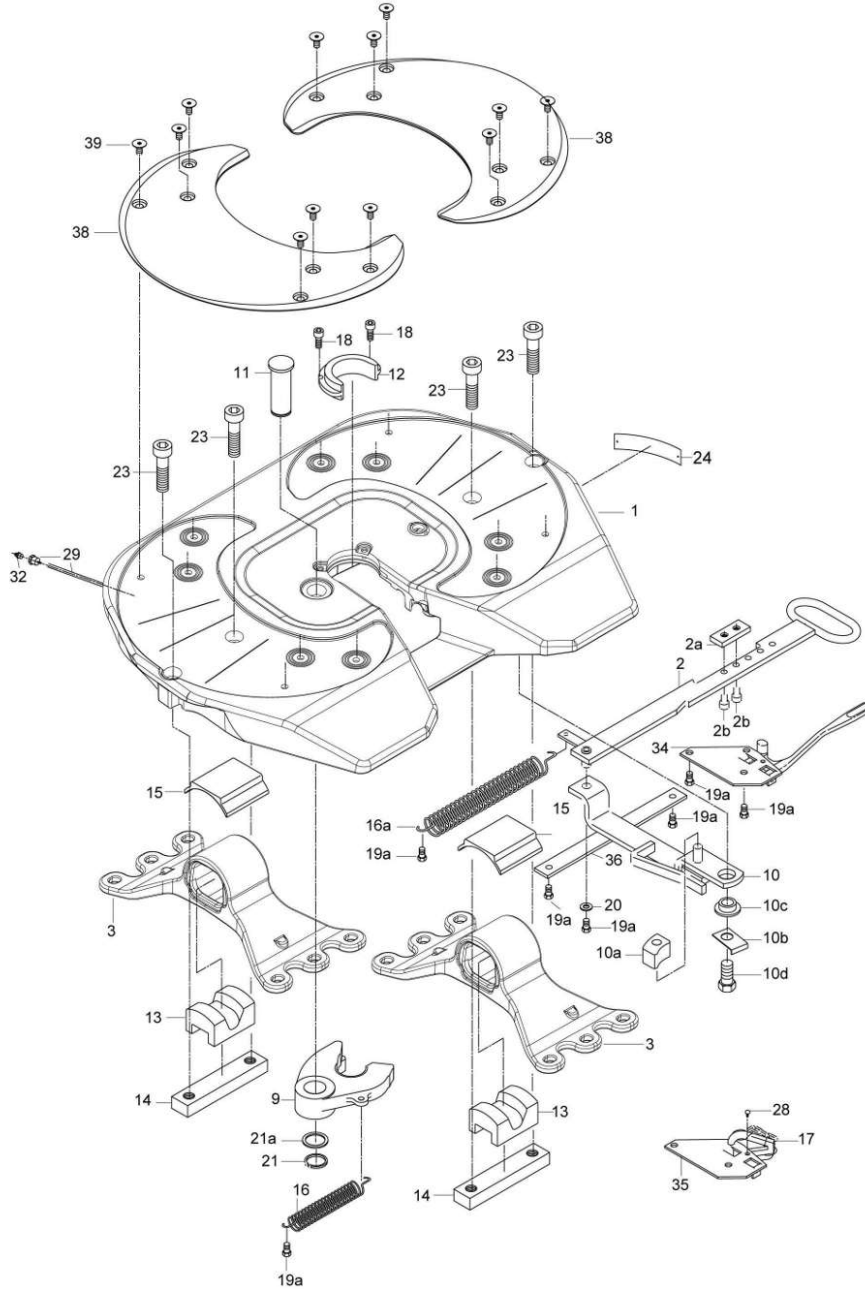


Mounting hole pattern according to DIN 74081

Subject to modifications in dimensions and design

## SPARE PARTS SK-S 36.20 W

Repair kits also apply to SK-S 36.20 DW



Item	Component	Dimensions	Serial no.	Pcs.	Order no.
	Repair kit for wear plate (38, 39)				662101469
	Repair kit locking mechanism and bearings (9, 10a, 10b, 10d, 11, 12, 13, 15, 18, 21, 21a, 23)				662101516
	Repair kit locking mechanism (9, 10a, 10b, 10d, 11, 12, 18, 21, 21a)				662101517
	Repair kit bearing				662101518
	Repair kit wear ring				662101534



Item	Component	Dimensions	Serial no.	Pcs.	Order no.
	Mounting kit for fifth wheel plate (W) without mounting bracket (13, 14, 15, 23, 38, 39)				662101738
	Repair kit Operating handle			1	662101746
	Repair kit locking hock (10, 10b, 10c, 10d, 19a, 36)			1	662101747
	Repair kit locking (A) (19a, 34)			1	662101748
	Repair kit locking (K) (17, 19a, 28, 35)			1	662101749
	Repair kit Return spring (16, 16a)			1	662101751
	Coupling plate (W) without mounting bracket ( assembly kit necessary)				662131002
1	Coupling plate			1	
2*	Operating handle		13000 - ...	1	
2a	Adjustment plate		13000 - ...	1	
2b	Cylinder screw	M8x16	13000 - ...	2	
3	Mounting bracket	128mm		2	662129383
3	Mounting bracket	150mm		2	662129584
3	Mounting bracket	150mm - EXPORT		2	662129384
3	Mounting bracket	185mm		2	662129485
3	Mounting bracket	185mm - EXPORT		2	662129385
3	Mounting bracket	225mm		2	662129389
3	Mounting bracket	250mm		2	662129386
9	Coupler jaw cpl.			1	
10	Locking hook			1	
10a	Stopper			1	
10b	Locking plate			1	
10c	Bush			1	
10d	Screw	M20x40		1	
11	Pin			1	
12	Wear ring			1	
13	Rubber damping			2	
14	Tensionning bar			2	
15	Bearing insert			2	
16	Return spring			1	
16a	Return spring			1	
17	Clipper with linkage			1	
18	Cylinder screw	M10x25	0 - 12999	2	
19a	Screw	M10x20	13000 - ...	7	
20	U-washer	Ø10		1	
21	Circlip			1	
21a	Supporting washer			1	
23	Cylinder screw	M20x70		4	
24	Identification plate			1	
26	Groove pin	3x8		2	
28	Rivet			1	
29	Lubrication tube complete	L=410	0 - 35177	1	
29	Lubrication tube complete	L=495	35178 - ...	1	659144146
32	Grease nipple	M8x1	0 - 12999	1	662126224
34	Automatic latch			1	
35	Latch cpl.		12000 - ...	1	
36	Guide			1	
38	Slider			1	
39	Flange screw			12	

## SK-S 36.20 NOLUBE



- Permanent, maintenance-free bearings
- Approved for forced steering
- ECE Type Approval no: E1 55R-01 0218

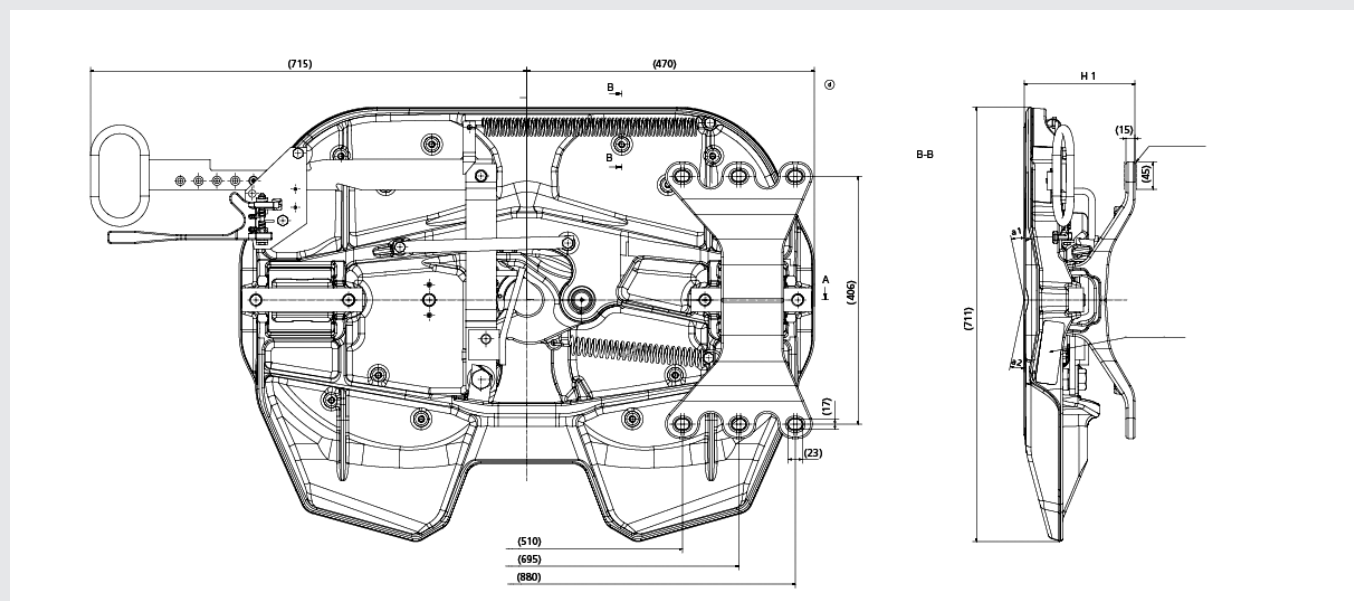
## TECHNICAL DATA

Type	Overall height [mm]	Imposed load [t]	D-value [kN]	Weight [kg]	Angle of inclination degree (w1/w2)	Order no.
SK-S 36.20 NoLube	128*	20	152	117	8° / 8°	<b>662131916</b>
SK-S 36.20 NoLube - Export**	150	20	152	121	8° / 13°	<b>662131918</b>
SK-S 36.20 NoLube	150	20	152	118	8° / 13°	<b>662131921</b>
SK-S 36.20 NoLube - Export**	185	20	152	124	17° / 26°	<b>662131924</b>
SK-S 36.20 NoLube	185	20	152	121	17° / 26°	<b>662131926</b>
SK-S 36.20 NoLube	225	20	152	124	29° / 42°	<b>662131929</b>
SK-S 36.20 NoLube	250	20	152	134	29° / 42°	<b>662131931</b>

\* Tilt angle in accordance with ISO 1726 for height 128 mm is only guaranteed with our mounting plate MP 486

\*\* Reinforced mounting brackets for applications outside the European Union

## DIMENSIONS



## SK-S 36.20 D NOLUBE



- Permanent, maintenance-free bearings
- ECE Type Approval no: E1 55R-01 0218

## TECHNICAL DATA

Type	Overall height [mm]	Imposed load [t]	D-value [kN]	Weight [kg]	Angle of inclination degree (w1/w2)	Order no.
<b>Mercedes-Benz (Mounting width 860 mm)</b>						
SK-S 36.20 D NoLube	148	20	152	126	9.5° / 13°	66213193501
SK-S 36.20 D NoLube	190	20	152	135	19° / 25°	66213193601
SK-S 36.20 D NoLube	225	20	152	143	24° / 30°	66213193701

\*Additional vendor specific mounting plate (12 mm / 39 kg)

<b>MAN</b>						
SK-S 36.20 D NoLube	148	20	152	126	9.5° / 13°	66213193502
SK-S 36.20 D NoLube	190	20	152	135	19° / 25°	66213193602
SK-S 36.20 D NoLube	225	20	152	143	24° / 30°	66213193702

\*Additional vendor specific mounting plate (8 mm / 18 kg)

<b>Iveco</b>						
SK-S 36.20 D NoLube	148	20	152	126	9.5° / 13°	66213193503
SK-S 36.20 D NoLube	190	20	152	135	19° / 25°	66213193603
SK-S 36.20 D NoLube	225	20	152	143	24° / 30°	66213193703

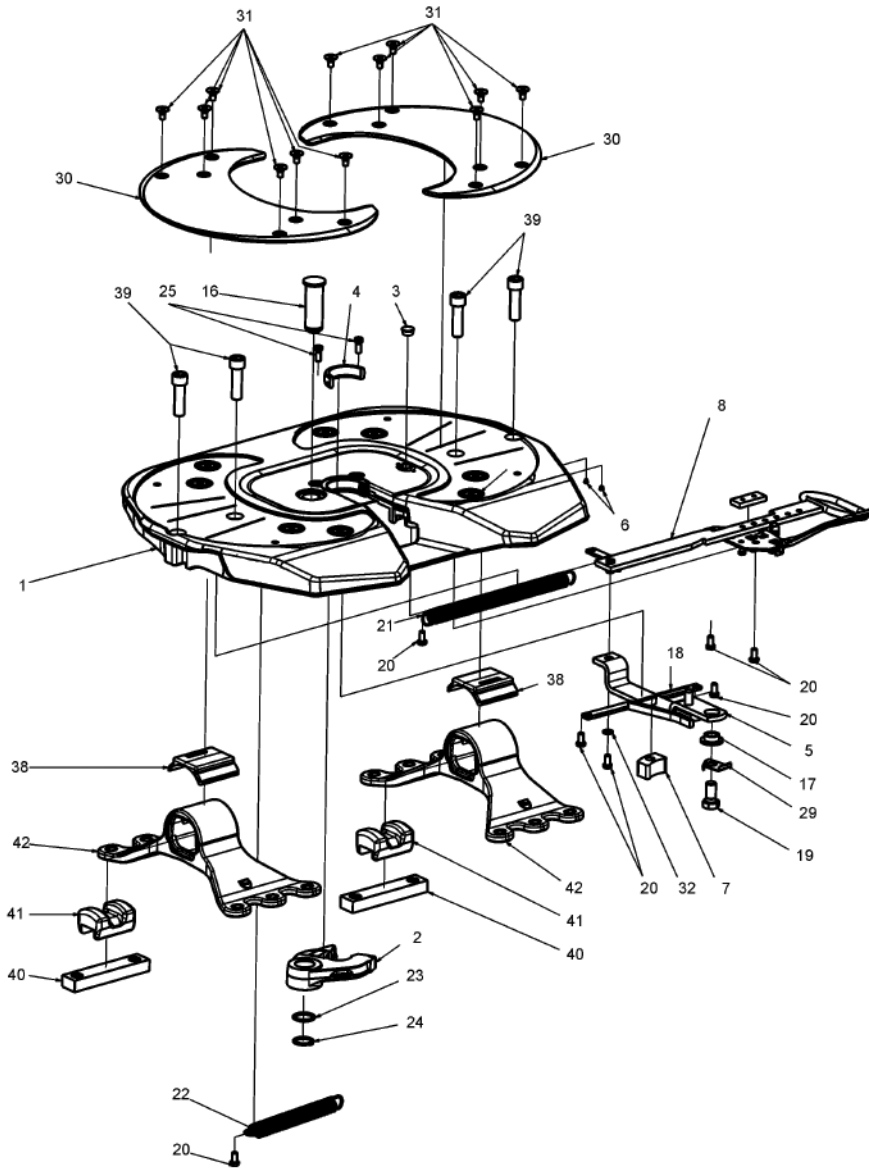
\*Additional vendor specific mounting plate (8 mm / 40 kg)

<b>DAF</b>						
SK-S 36.20 D NoLube	190	20	152	135	19° / 25°	66213193604
SK-S 36.20 D NoLube	225	20	152	143	24° / 30°	66213193704

\*For the DAF model 225 mm overall height: cross bar 662131139 is required

- Use overall heights 190 mm and 225 mm only with cross bars, if the overall heights is changed
- Cross bar required; consisting of
  - tie rod, complete: 662131142
  - cross bar: 662131143

## SPARE PARTS SK-S 36.20 NoLube



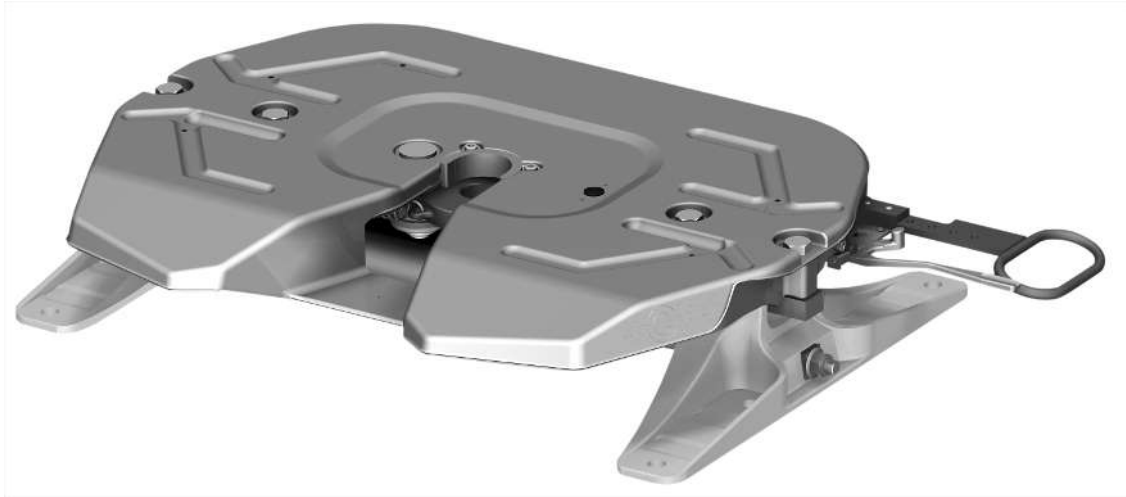
Item	Component	Dimensions	Serial no.	Pcs.	Order no.
	Repair kit for wear plate (30, 31)				662101469
	Repair kit bearing (38, 39, 41)				662101518
	Repair kit locking mechanism (2, 4, 7, 16, 19, 23, 24, 25, 29)				662101533
	Repair kit wear ring (4, 25)				662101534
	Repair kit Operating handle (8, 20, 21, 32)				662101746
	Repair kit locking hock 5, 17, 18, 19, 20, 29)				662101747
	Repair kit locking (A) (13, 20)				662101748
	Repair kit locking (K)				662101749
	Repair kit Return spring (21, 22)				662101751
	Coupling plate without mounting bracket				662131910
	Coupling plate without mounting bracket				662131911

Item	Component	Dimensions	Serial no.	Pcs.	Order no.
1	Coupling plate			1	
2	Coupler jaw cpl.			1	
3	Plug			1	659140916
4	Wear ring			1	
5	Locking hook			1	
6	Protecting cap (6mm)			2	662126255
7	Stopper			1	
8	Operating handle			1	
13	Automatic latch			1	
16	Pin			1	
17	Bush			1	
18	Guide			1	
19	Screw	M20x40		1	
20	Screw	M10x20		7	
21	Return spring			1	
22	Return spring			1	
23	Supporting washer			1	
24	Circlip			1	
25	Cylinder screw	M10x25		2	
29	Locking plate			1	
30	Slider			2	
31	Flange screw			12	
32	U-washer	Ø10		1	
38	Bearing insert			2	
39	Cylinder screw	M20x70		4	
40	Tensionning bar			2	
41	Rubber damping			2	
42	Mounting bracket	128mm		2	662129383
42	Mounting bracket	150mm		2	662129584
42	Mounting bracket	150mm - EXPORT		2	662129384
42	Mounting bracket	185mm		2	662129485
42	Mounting bracket	185mm - EXPORT		2	662129385
42	Mounting bracket	225mm		2	662129389
42	Mounting bracket	250mm		2	662129386
42	Mounting bracket with pattern of drilling	148mm	Mercedes Benz	2	662131120
42	Mounting bracket with pattern of drilling*	190mm	Mercedes Benz	2	662131125
42	Mounting bracket with pattern of drilling*	225mm	Mercedes Benz	2	662131130
42	Mounting bracket with pattern of drilling	148mm	MAN	2	662131121
42	Mounting bracket with pattern of drilling*	190mm	MAN	2	662131126
42	Mounting bracket with pattern of drilling*	225mm	MAN	2	662131131
42	Mounting bracket with pattern of drilling	148mm	IVECO	2	662131122
42	Mounting bracket with pattern of drilling*	190mm	IVECO	2	662131127
42	Mounting bracket with pattern of drilling*	225mm	IVECO	2	662131132
42	Mounting bracket with pattern of drilling	148mm	DAF	2	662131123
42	Mounting bracket with pattern of drilling*	190mm	DAF	2	662131128
42	Mounting bracket with pattern of drilling**	225mm	DAF	2	662131133

\* Cross bar required; consisting of:  
tie rod, complete 662131142 and  
cross bar D 51 mm 6621311433

\*\* Cross bar required: 662131139

## SK-S 36.20 D (DIRECT MOUNTING)



- Easy to mount directly on the vehicle chassis
- ECE Type Approval no: E1 55R-01 0218



## TECHNICAL DATA

Type	Overall height [mm]	Imposed load [t]	D-value [kN]	Weight [kg]	Angle of inclination degree (w1/w2)	Order no.
<b>Mercedes-Benz (Mounting width 860 mm)</b>						
SK-S 36.20 D	148*	20	152	126*	9.5° / 13°	66212920001
SK-S 36.20 D	190	20	152	135	19° / 15°	66212920101
SK-S 36.20 D	225	20	152	143	24° / 30°	66212920201

\*Additional vendor specific mounting plate (12 mm / 39 kg)

<b>MAN</b>						
SK-S 36.20 D	148*	20	152	126*	9.5° / 13°	66212920002
SK-S 36.20 D	190	20	152	135	19° / 15°	66212920102
SK-S 36.20 D	225	20	152	143	24° / 30°	66212920202

\*Additional vendor specific mounting plate (8 mm / 18 kg)

<b>Iveco</b>						
SK-S 36.20 D	148*	20	152	126*	9.5° / 13°	66212920003
SK-S 36.20 D	190	20	152	135	19° / 15°	66212920103
SK-S 36.20 D	225	20	152	143	24° / 30°	66212920203

\*Additional vendor specific mounting plate (8 mm / 40 kg)

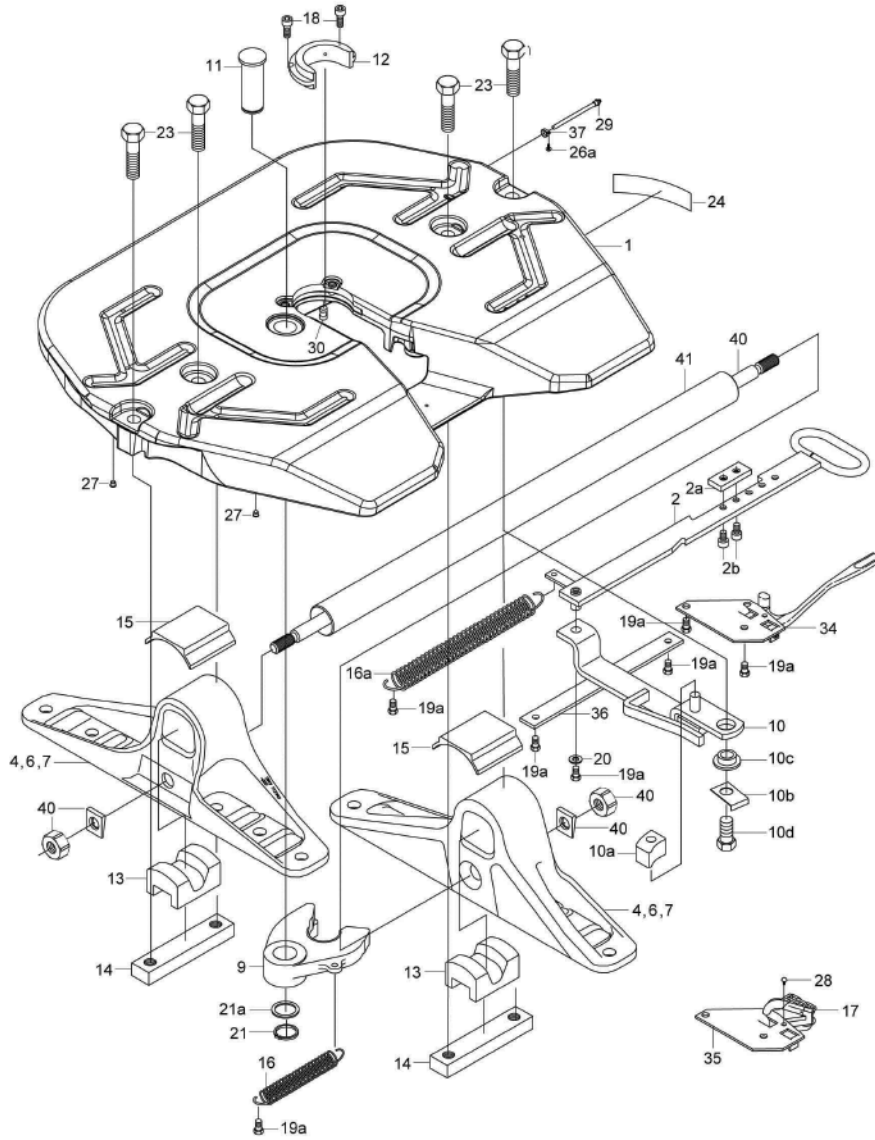
<b>DAF</b>						
SK-S 36.20 D	190	20	152	135	19° / 15°	66212920104
SK-S 36.20 D	225	20	152	143	24° / 30°	66212920204

\*For the DAF model 225 mm overall height: cross bar 662131139 is required

- Use overall heights 190 mm and 225 mm only with cross bars, if the overall heights is changed
- Cross bar required; consisting of
  - tie rod, complete: 662131142
  - cross bar: 662131143

## SPARE PARTS SK-S 36.20 D

Repair kits also apply to SK-S 36.20



Item	Component	Dimensions	Serial no.	Pcs.	Order no.
	Repair kit bearing (13, 15, 23)			1	662101473
	Repair kit locking mechanism (9, 10a, 10b, 10d, 11, 12, 18, 21, 21a)		13000 - ...	1	662101492
	Repair kit locking mechanism and bearings (9, 10a, 10b, 10d, 11, 12, 13, 15, 18, 21, 21a, 23)		13000 - ...	1	662101493
	Repair kit wear ring (12, 18)		13000 - ...	1	662101566
	Repair kit Operating handle			1	662101746
	Repair kit locking hock (10, 10b, 10c, 10d, 19a, 36)			1	662101747
	Repair kit locking (A) (19a, 34)			1	662101748
	Repair kit locking (K) (17, 19a, 28, 35)			1	662101749
	Repair kit Lubrication tube (26a, 27, 29, 30, 37, 40, 46, 47)			1	662101750
	Repair kit Return spring (16, 16a)			1	662101751
	Coupling plate without mounting bracket			1	662129003

Item	Component	Dimensions	Serial no.	Pcs.	Order no.
1	Coupling plate			1	
2*	Operating handle		13000 - ...	1	
2a	Adjustment plate		13000 - ...	1	
2b	Cylinder screw	M8x16	13000 - ...	2	
4	Mounting bracket with pattern of drilling	148mm	Mercedes Benz	2	662131120
4	Mounting bracket with pattern of drilling	148mm	MAN	2	662131121
4	Mounting bracket with pattern of drilling	148mm	IVECO	2	662131122
4	Mounting bracket with pattern of drilling	148mm	DAF	2	662131123
6	Mounting bracket with pattern of drilling	190mm	Mercedes Benz	2	662131125
6	Mounting bracket with pattern of drilling	190mm	MAN	2	662131126
6	Mounting bracket with pattern of drilling	190mm	IVECO	2	662131127
6	Mounting bracket with pattern of drilling	190mm	DAF	2	662131128
7	Mounting bracket with pattern of drilling	225mm	Mercedes Benz	2	662131130
7	Mounting bracket with pattern of drilling	225mm	MAN	2	662131131
7	Mounting bracket with pattern of drilling	225mm	IVECO	2	662131132
7	Mounting bracket with pattern of drilling	225mm	DAF	2	662131133
9	Coupler jaw cpl.			1	
10	Locking hook			1	
10a	Stopper			1	
10b	Locking plate			1	
10c	Bush			1	
10d	Screw	M20x40		1	
11	Pin			1	
12	Wear ring		13000 - ...	1	
13	Rubber damping			2	
14	Tensionning bar			2	
15	Bearing insert			2	
16	Return spring			1	
16a	Return spring			1	
17	Clipper with linkage			1	
18	Cylinder screw	M10x25	0 - 12999	2	
19a	Screw	M10x20	13000 - ...	7	
20	U-washer	Ø10		1	
21	Circlip			1	
21a	Supporting washer			1	
23	Screw	M20x80		4	
24	Identification plate			1	
26	Groove pin	3x8		2	
26a	Groove pin	4x10		1	
27	Protecting cap			4	
28	Rivet			1	
29	Lubrication tube complete	L=410	0 - 35177	1	
30	Plug		13000 - ...	1	
34	Automatic latch			1	
35	Safety flange			1	
36	Guide			1	
37	Mounting			1	
40	Con rod			1	
41	Strut	Ø51		1	662131143
41	Strut	Ø60,3 (DAF - 225mm)		1	662131139
	Central lubrication kit*				659144148

\* Not usable with Volvo vehicles.

## SK-S 36.20 DW (DIRECT MOUNTING, LOW-MAINTENANCE)



- ECE Type Approval no: E1 55R-01 0218

For automatic lubrication of the locking mechanism we recommend the use of our grease dispenser with adaptor (Page 160)

## TECHNICAL DATA

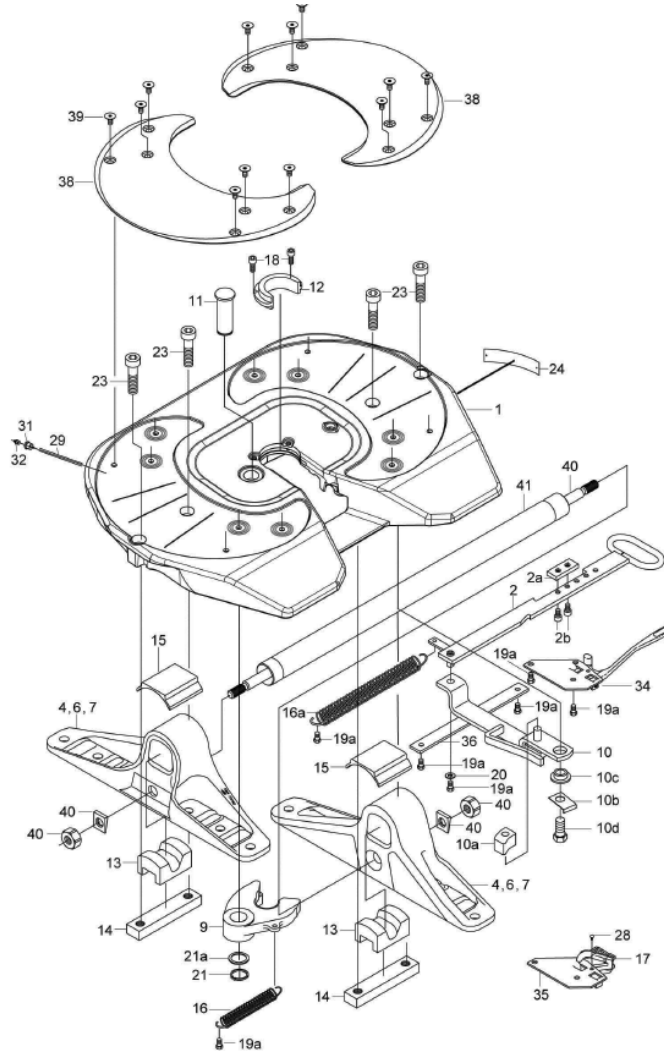
Type	Overall height [mm]	Imposed load [t]	D-value [kN]	Weight [kg]	Angle of inclination degree (w1/w2)	Order no.
<b>Mercedes-Benz (Mounting width 860 mm)</b>						
SK-S 36.20 DW	148*	20	152	126*	9.5° / 13°	66213101601
SK-S 36.20 DW	190	20	152	135	19° / 15°	66213101701
SK-S 36.20 DW	225	20	152	143	24° / 30°	66213101801
*Additional vendor specific mounting plate (12 mm / 39 kg)						
<b>MAN</b>						
SK-S 36.20 DW	148*	20	152	126*	9.5° / 13°	66213101602
SK-S 36.20 DW	190	20	152	135	19° / 15°	66213101702
SK-S 36.20 DW	225	20	152	143	24° / 30°	66213101802
*Additional vendor specific mounting plate (8 mm / 18 kg)						
<b>Iveco</b>						
SK-S 36.20 DW	148*	20	152	126*	9.5° / 13°	66213101603
SK-S 36.20 DW	190	20	152	135	19° / 15°	66213101703
SK-S 36.20 DW	225	20	152	143	24° / 30°	66213101803
*Additional vendor specific mounting plate (8 mm / 40 kg)						
<b>DAF</b>						
SK-S 36.20 DW	190	20	152	135	19° / 15°	66213101704
SK-S 36.20 DW	225*	20	152	143	24° / 30°	66213101804

\*For the DAF model 225 mm overall height: cross bar 662131139 is required

- Use overall heights 190 mm and 225 mm only with cross bars, if the overall heights is changed
- Cross bar required; consisting of
  - tie rod, complete: 662131142
  - cross bar: 662131143

## SPARE PARTS SK-S 36.20 DW

Repair kits also apply to SK-S 36.20 W



Item	Component	Dimensions	Serial no.	Pcs.	Order no.
	Repair kit for wear plate (38, 39)				662101469
	Repair kit locking mechanism and bearings (9, 10a, 10b, 10d, 11, 12, 13, 15, 18, 21, 21a, 23)				662101516
	Repair kit locking mechanism (9, 10a, 10b, 10d, 11, 12, 18, 21, 21a)				662101517
	Repair kit bearing				662101518
	Repair kit wear ring				662101534
	Mounting kit for fifth wheel plate (W) without mounting bracket (13, 14, 15, 23, 38, 39)				662101738
	Repair kit Operating handle			1	662101746
	Repair kit locking hock (10, 10b, 10c, 10d, 19a, 36)			1	662101747
	Repair kit locking (A) (19a, 34)			1	662101748
	Repair kit locking (K) (17, 19a, 28, 35)			1	662101749
	Repair kit Return spring (16, 16a)			1	662101751
	Coupling plate (W) without mounting bracket ( assembly kit necessary)				662131002

Item	Component	Dimensions	Serial no.	Pcs.	Order no.
1	Coupling plate (W) without mounting bracket ( assembly kit necessary)			1	
2*	Operating handle		13000 - ...	1	
2a	Adjustment plate		13000 - ...	1	
2b	Cylinder screw	M8x16	13000 - ...	2	
4	Mounting bracket with pattern of drilling	148mm	Mercedes Benz	2	<b>662131120</b>
4	Mounting bracket with pattern of drilling	148mm	MAN	2	<b>662131121</b>
4	Mounting bracket with pattern of drilling	148mm	IVECO	2	<b>662131122</b>
4	Mounting bracket with pattern of drilling	148mm	DAF	2	<b>662131123</b>
6	Mounting bracket with pattern of drilling	190mm	Mercedes Benz	2	<b>662131125</b>
6	Mounting bracket with pattern of drilling	190mm	MAN	2	<b>662131126</b>
6	Mounting bracket with pattern of drilling	190mm	IVECO	2	<b>662131127</b>
6	Mounting bracket with pattern of drilling	190mm	DAF	2	<b>662131128</b>
7	Mounting bracket with pattern of drilling	225mm	Mercedes Benz	2	<b>662131130</b>
7	Mounting bracket with pattern of drilling	225mm	MAN	2	<b>662131131</b>
7	Mounting bracket with pattern of drilling	225mm	IVECO	2	<b>662131132</b>
7	Mounting bracket with pattern of drilling	225mm	DAF	2	<b>662131133</b>
9	Coupler jaw cpl.			1	
10	Locking hook			1	
10a	Stopper			1	
10b	Locking plate			1	
10c	Bush			1	
10d	Screw	M20x40		1	
11	Pin			1	
12	Wear ring			1	
13	Rubber damping			2	
14	Tensionning bar			2	
15	Bearing insert			2	
16	Return spring			1	
16a	Return spring			1	
17	Clipper with linkage			1	
18	Cylinder screw	M10x25	0 - 12999	2	
19a	Screw	M10x20		7	
20	U-washer	Ø10		1	
21	Circlip			1	
21a	Supporting washer			1	
23	Cylinder screw	M20x70		4	
24	Identification plate			1	
26	Groove pin	3x8		2	
28	Rivet			1	
29	Lubrication tube complete	L=495	35178 - ...	1	
32	Grease nipple	M8x1	0 - 12999	1	
34	Automatic latch			1	
35	Latch cpl.		12000 - ...	1	
36	Guide			1	
38	Slider			1	
39	Flange screw			12	
40	Con rod			1	
41	Strut	Ø60,3 (DAF - 225mm)		1	<b>662131139</b>
41	Strut	Ø51		1	<b>662131143</b>

## SK-S 36.20 V (VOLVO MOUNTING ANGLES)



Advantage: no additional mounting plate is required for mounting with mounting angles on Volvo vehicles.

- Angle of inclination in accordance with ISO 1726
- Approved for forced steering
- ECE Type Approval no: E1 55R-01 0218



## TECHNICAL DATA

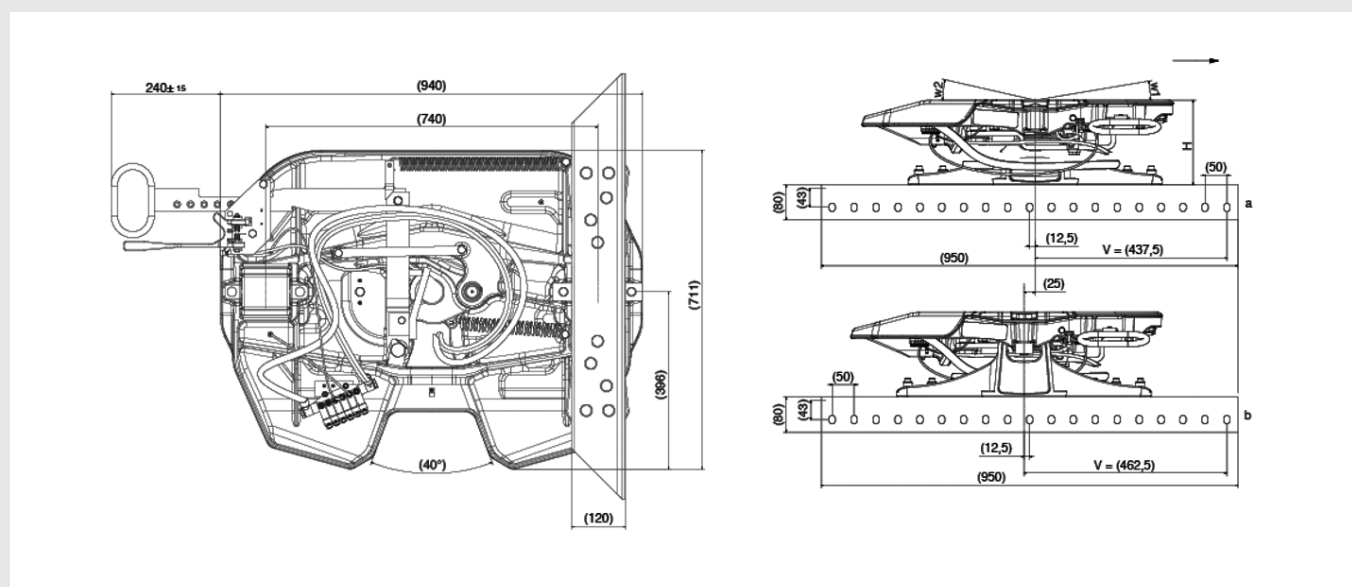
Type	Overall height [mm]	Imposed load [t]	D-value [kN]	Weight [kg]	Angle of inclination degree (w1/w2)	Length [mm]	Order no.
SK-S 36.20 V	140	20	152,3	144	6.5° / 7.2°	V=437,5	662129206
SK-S 36.20 V	140	20	152,3	144	6.5° / 7.2°	V=462,5	662129210
SK-S 36.20 V	160	20	152,3	146	13° / 15°	V=437,5	662129207
SK-S 36.20 V	160	20	152,3	146	13° / 15°	V=462,5	662129211
SK-S 36.20 V	200	20	152,3	150	20° / 23°	V=437,5	662129208
SK-S 36.20 V	200	20	152,3	150	20° / 23°	V=462,5	662129212
SK-S 36.20 V	230	20	152,3	153	24° / 30°	V=437,5	662129209
SK-S 36.20 V	230	20	152,3	153	24° / 30°	V=462,5	662129214

- Central lubrication set 659 144 143 can be ordered for models 662 129 206 – 662 129 214

## MODEL WITH CENTRAL LUBRICATION KIT

Type	Overall height [mm]	Imposed load [t]	D-value [kN]	Weight [kg]	Angle of inclination degree (w1/w2)	Length [mm]	Order no.
SK-S 36.20 V	140	20	152,3	145	6.5° / 7.2°	V=462,5	662129215
SK-S 36.20 V	140	20	152,3	145	6.5° / 7.2°	V=437,5	662129219
SK-S 36.20 V	160	20	152,3	147	13° / 15°	V=462,5	662129216
SK-S 36.20 V	160	20	152,3	147	13° / 15°	V=437,5	662129220
SK-S 36.20 V	200	20	152,3	151	20° / 23°	V=462,5	662129217
SK-S 36.20 V	200	20	152,3	151	20° / 23°	V=437,5	662129221
SK-S 36.20 V	230	20	152,3	154	24° / 30°	V=462,5	662129218
SK-S 36.20 V	230	20	152,3	154	24° / 30°	V=437,5	662129222

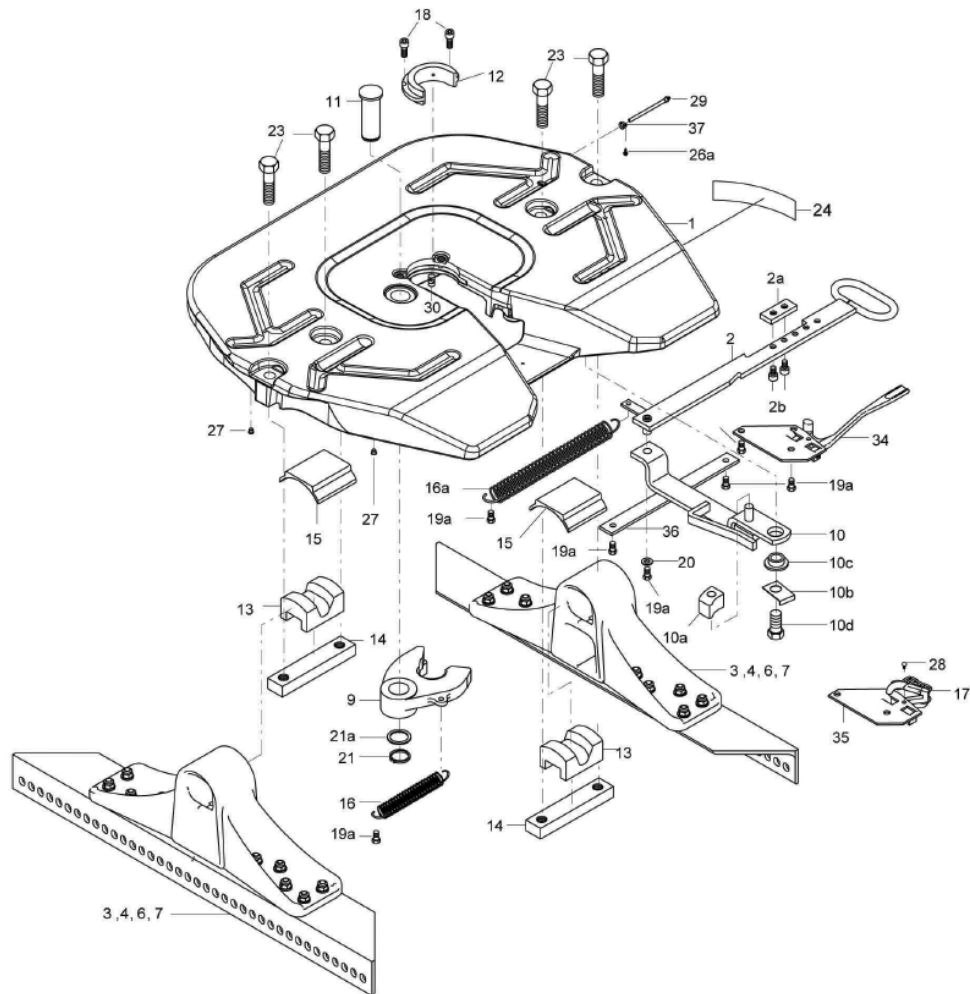
## DIMENSIONS



Subject to modifications in dimensions and design

## SPARE PARTS SK-S 36.20 V

Repair kits also apply to SK-S 36.20



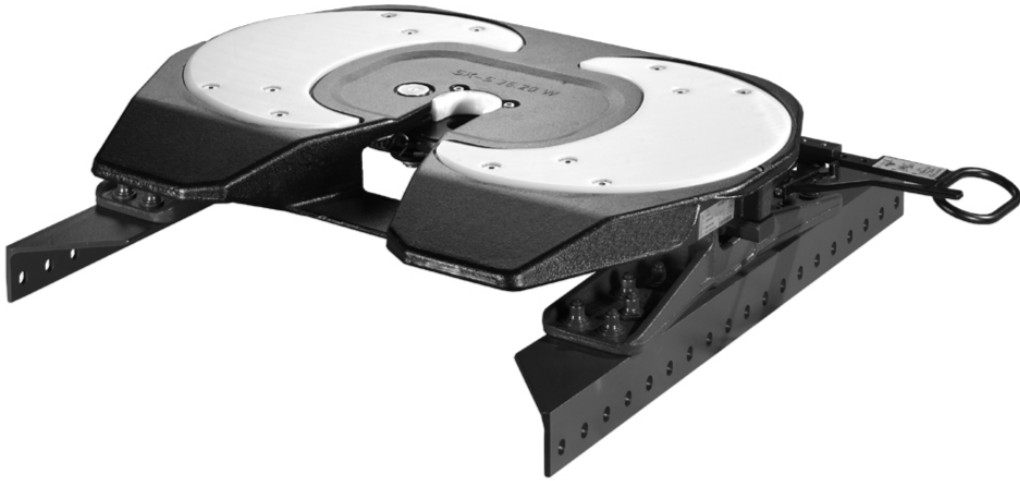
Item	Component	Dimensions	Serial no.	Pcs.	Order no.
	Repair kit bearing (13, 15, 23)			1	662101473
	Repair kit locking mechanism (9, 10a, 10b, 10d, 11, 12, 18, 21, 21a)		13000 - ...	1	662101492
	Repair kit locking mechanism and bearings (9, 10a, 10b, 10d, 11, 12, 13, 15, 18, 21, 21a, 23)		13000 - ...	1	662101493
	Repair kit wear ring (19, 20)		0 - 12999	1	662101565
	Repair kit wear ring (12, 18)		13000 - ...	1	662101566
	Repair kit Operating handle			1	662101746
	Repair kit locking hock (10, 10b, 10c, 10d, 19a, 36)			1	662101747
	Repair kit locking (A) (19a, 34)			1	662101748
	Repair kit locking (K) (17, 19a, 28, 35)			1	662101749
	Repair kit Lubrication tube (26a, 27, 29, 30, 37, 40, 46, 47)			1	662101750
	Repair kit Return spring (16, 16a)			1	662101751
	Repair kit sensor**				662129493
	Coupling plate without mounting bracket			1	662129003

Item	Component	Dimensions	Serial no.	Pcs.	Order no.
1	Coupling plate			1	
2*	Operating handle		13000 - ...	1	
2a	Adjustment plate		13000 - ...	1	
2b	Cylinder screw	M8x16	13000 - ...	2	
3a	Mounting angle	140mm*		1	662129362
3b	Mounting angle*	140mm		1	662129363
4a	Mounting angle*	160mm		1	662129364
4b	Mounting angle*	160mm		1	662129365
6a	Mounting angle*	200mm		1	662129366
6b	Mounting angle*	200mm		1	662129367
7a	Mounting angle*	230mm		1	662129368
7b	Mounting angle*	230mm		1	662129369
9	Coupler jaw cpl.			1	
10	Locking hook			1	
10a	Stopper			1	
10b	Locking plate			1	
10c	Bush			1	
10d	Screw	M20x40		1	
11	Pin			1	
12	Wear ring		13000 - ...	1	
13	Rubber damping			2	
14	Tensionning bar			2	
15	Bearing insert			2	
16	Return spring			1	
16a	Return spring			1	
17	Clipper with linkage			1	
18	Cylinder screw	M10x25	0 - 12999	2	
19a	Screw	M10x20	13000 - ...	7	
20	U-washer	Ø10		1	
21	Circlip			1	
21a	Supporting washer			1	
23	Screw	M20x80		4	
24	Identification plate			1	
26	Groove pin	3x8		2	
26a	Groove pin	4x10		1	
27	Protecting cap			4	
28	Rivet			1	
29	Lubrication tube complete	L=410	0 - 35177	1	
30	Plug		13000 - ...	1	
35	Latch cpl.		0 - 11999		
35	Latch cpl.		12000 - ...		
36	Guide			1	
37	Mounting			1	
	Central lubrication kit(not shown )			1	659144143

\* Mounting angles are required in pairs, consisting of a+b in the requested height. The indicated measure V is measured during mounting of the brackets on the right hand side in driving direction. A reversal of the mounting angles increases or decreases the coupling point by 25 mm.

\*\* This repair kit is only suitable for sensor fifth wheels fitted with the Volvo/ Renault sensor system. The control unit and display in the cab are not SAF-HOLLAND products.

## SK-S 36.20 VW (VOLVO MOUNTING ANGLES, LOW MAINTENANCE)



Advantage: no additional mounting plate is required for mounting with mounting angles on Volvo vehicles.

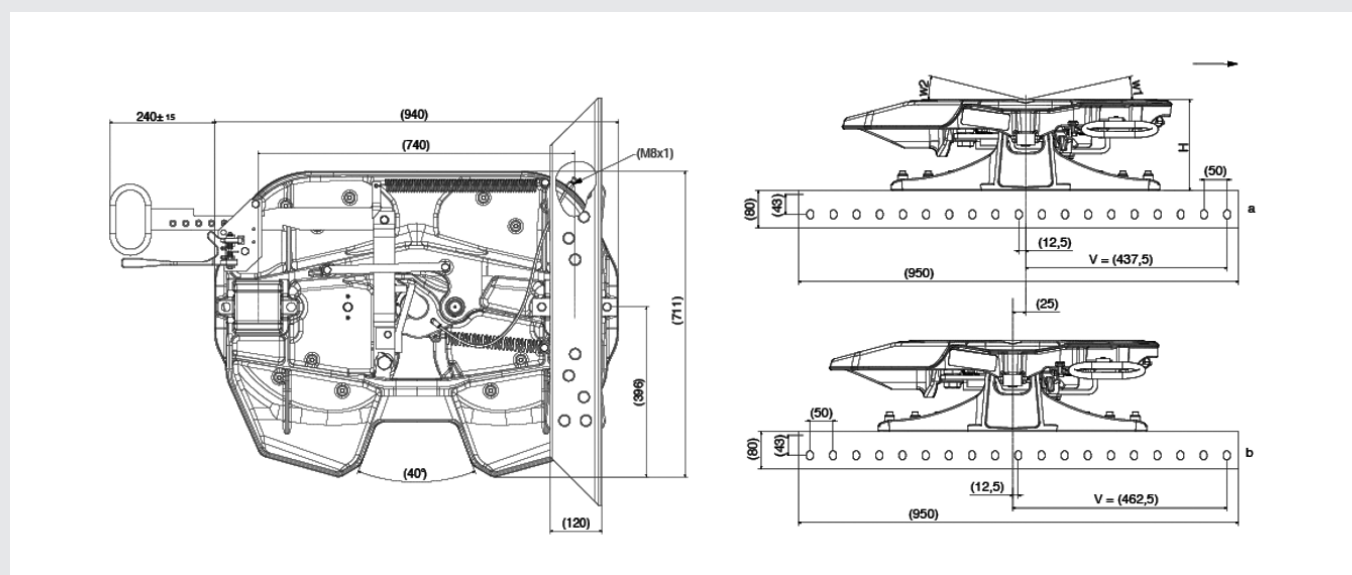
- Angle of inclination in accordance with ISO 1726
- Approved for forced steering
- ECE Type Approval no: E1 55R-01 0218

For automatic lubrication of the locking mechanism we recommend the use of our grease dispenser with adaptor (Page 160)

## TECHNICAL DATA

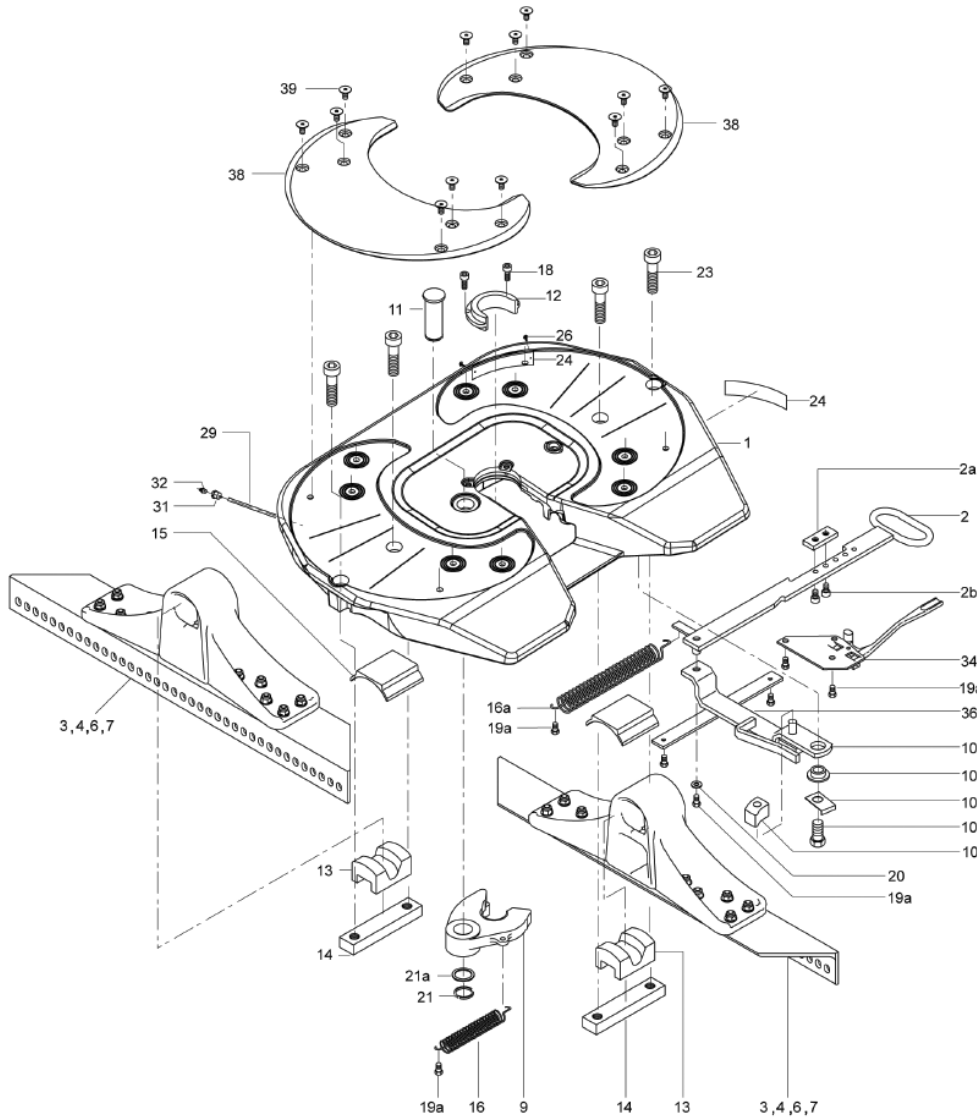
Type	Overall height [mm]	Imposed load [t]	D-value [kN]	Weight [kg]	Angle of inclination degree (w1/w2)	Length [mm]	Order no.
SK-S 36.20 VW	140	20	152,3	144	6.5° / 7.2°	V=462,5	<b>662131050</b>
SK-S 36.20 VW	140	20	152,3	144	6.5° / 7.2°	V=437,5	<b>662131060</b>
SK-S 36.20 VW	160	20	152,3	146	13° / 15°	V=462,5	<b>662131051</b>
SK-S 36.20 VW	160	20	152,3	146	13° / 15°	V=437,5	<b>662131061</b>
SK-S 36.20 VW	200	20	152,3	150	20° / 23°	V=462,5	<b>662131052</b>
SK-S 36.20 VW	200	20	152,3	150	20° / 23°	V=437,5	<b>662131062</b>
SK-S 36.20 VW	230	20	152,3	153	24° / 30°	V=462,5	<b>662131053</b>
SK-S 36.20 VW	230	20	152,3	153	24° / 30°	V=437,5	<b>662131063</b>

## DIMENSIONS



## SPARE PARTS SK-S 36.20 VW

Repair kits also apply to SK-S 36.20 W



Item	Component	Dimensions	Serial no.	Pcs.	Order no.
	Repair kit for wear plate (38, 39)				662101469
	Repair kit locking mechanism and bearings (9, 10a, 10b, 10d, 11, 12, 13, 15, 18, 21, 21a, 23)				662101516
	Repair kit locking mechanism (9, 10a, 10b, 10d, 11, 12, 18, 21, 21a)				662101517
	Repair kit bearing				662101518
	Repair kit wear ring				662101534
	Mounting kit for fifth wheel plate (W) without mounting bracket (13, 14, 15, 23, 38, 39)				662101738
	Repair kit Operating handle			1	662101746
	Repair kit locking hock (10, 10b, 10c, 10d, 19a, 36)			1	662101747
	Repair kit locking (A) (19a, 34)			1	662101748
	Repair kit locking (K) (17, 19a, 28, 35)			1	662101749

Item	Component	Dimensions	Serial no.	Pcs.	Order no.
	Repair kit Return spring (16, 16a)			1	662101751
	Repair kit sensor**				662129493
	Coupling plate (W) without mounting bracket ( assembly kit necessary)				662131002
1	Coupling plate (W) without mounting bracket ( assembly kit necessary)			1	
2*	Operating handle		13000 - ...	1	
2a	Adjustment plate		13000 - ...	1	
2b	Cylinder screw	M8x16	13000 - ...	2	
3a	Mounting angle*	140mm		1	662129362
3b	Mounting angle*	140mm		1	662129363
4a	Mounting angle*	160mm		1	662129364
4b	Mounting angle*	160mm		1	662129365
6a	Mounting angle*	200mm		1	662129366
6b	Mounting angle*	200mm		1	662129367
7a	Mounting angle*	230mm		1	662129368
7b	Mounting angle*	230mm		1	662129369
9	Coupler jaw cpl.			1	
10	Locking hook			1	
10a	Stopper			1	
10b	Locking plate			1	
10c	Bush			1	
10d	Screw	M20x40		1	
11	Pin			1	
12	Wear ring			1	
13	Rubber damping			2	
14	Tensionning bar			2	
15	Bearing insert			2	
16	Return spring			1	
16a	Return spring			1	
18	Cylinder screw	M10x25	0 - 12999	2	
19a	Screw	M10x20	13000 - ...	7	
20	U-washer	Ø10		1	
21	Circlip			1	
21a	Supporting washer			1	
23	Cylinder screw	M20x70		4	
24	Identification plate			1	
26	Groove pin	3x8		2	
29	Lubrication tube complete	L=410	0 - 35177	1	
29	Lubrication tube complete	L=495	35178 - ...	1	
31	Adaptor			1	
32	Grease nipple	M8x1	0 - 12999	1	
34	Automatic latch			1	
36	Guide			1	
38	Slider			1	
39	Flange screw			12	
	Lubrication tube complete (29, 31) (not shown )				659144146

\* Mounting angles are required in pairs, consisting of a+b in the requested height. The indicated measure V is measured during mounting of the brackets on the right hand side in driving direction. A reversal of the mounting angles increases or decreases the coupling point by 25 mm.

## FW3510



- Bracket mounting
- Available with optional ILS-Slider (Page 134)
- Approved for forced steering
- ECE Type Approval no: E11 55R-01 6172

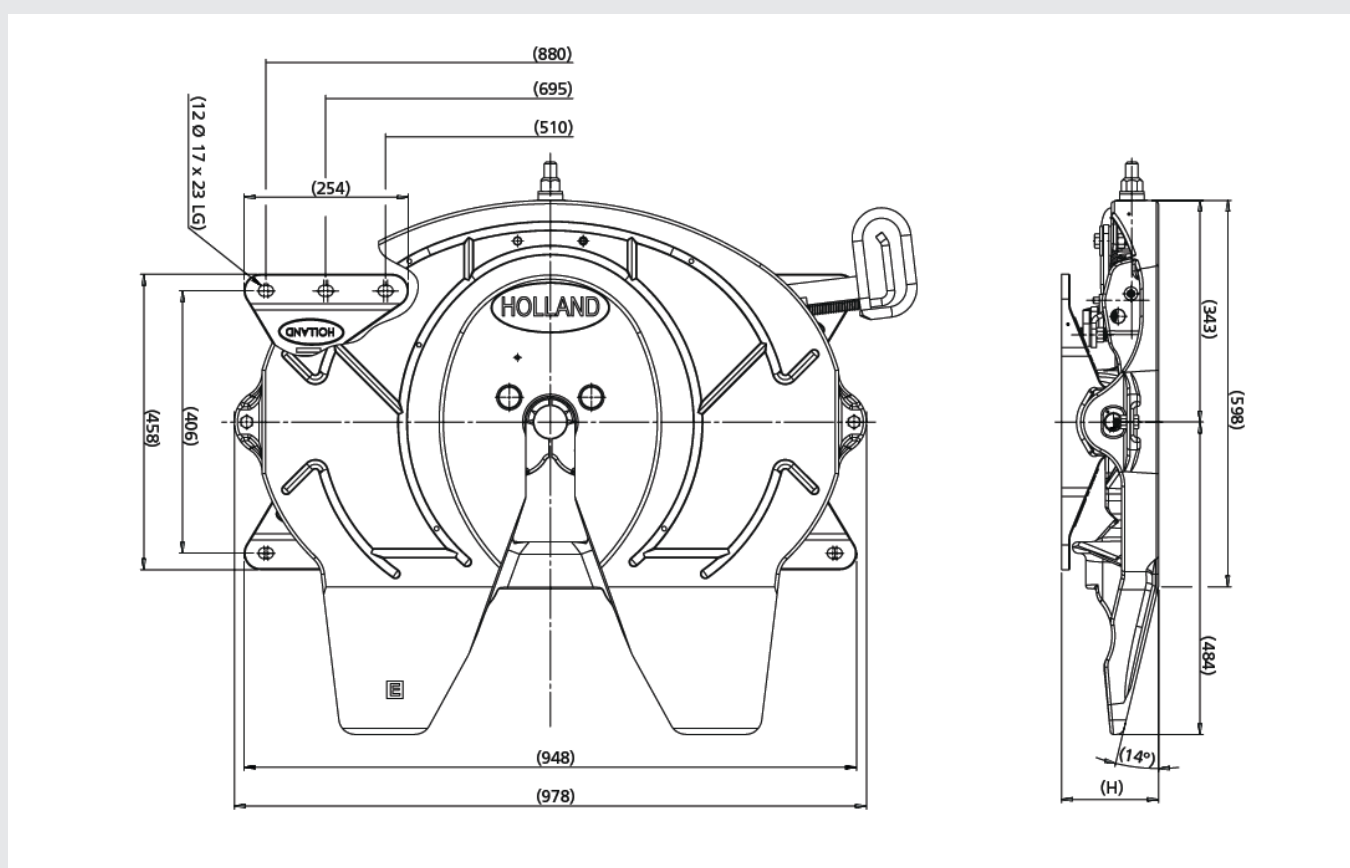


## TECHNICAL DATA

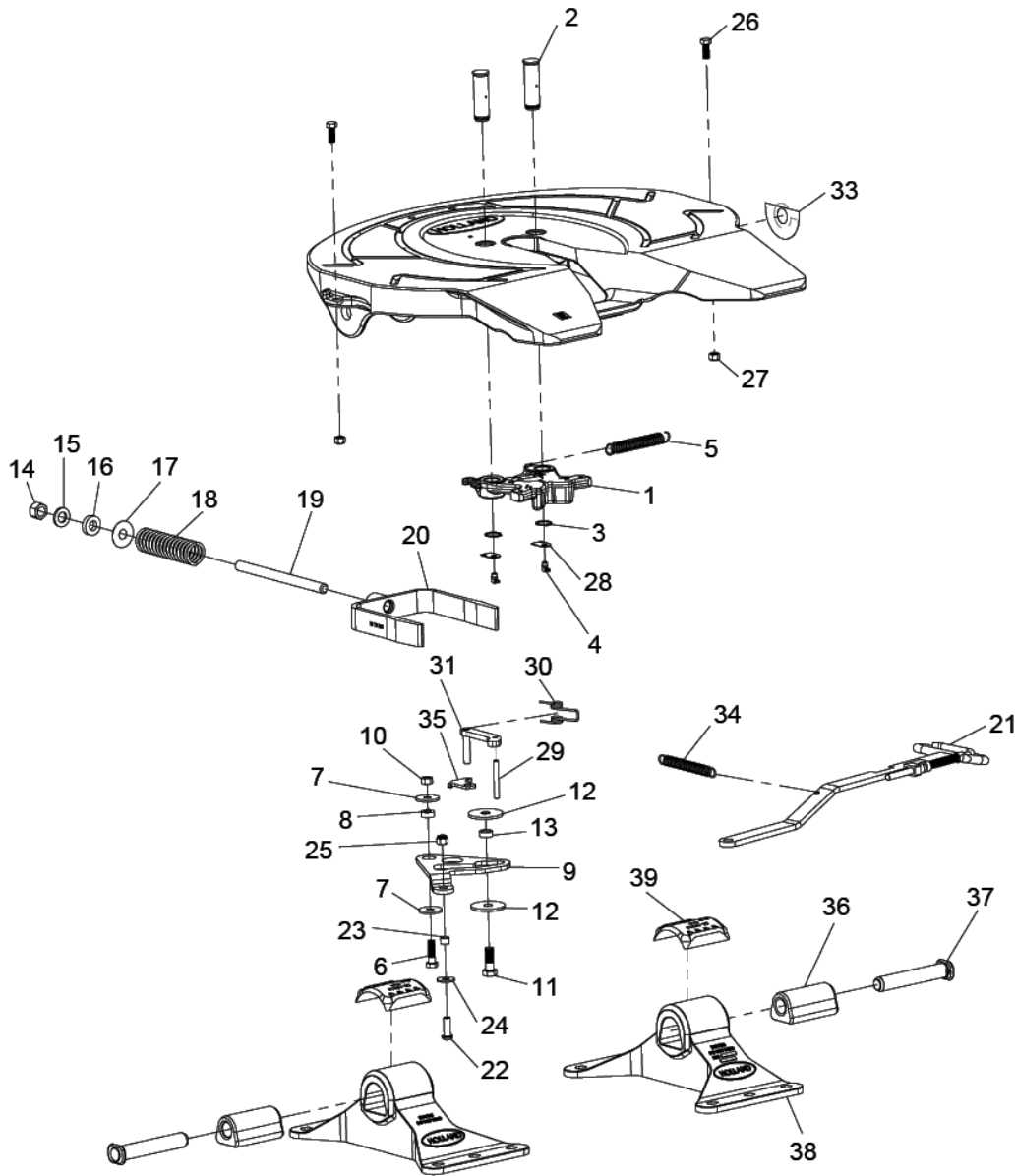
Type	Overall height [mm]	Imposed load [t]	D-value [kN]	Weight [kg]	Order no.
FW3510	150	23	175	135	FW3510-150
FW3510	180	23	175	139	FW3510-180
FW3510	200	23	175	142	FW3510-200

Add suffix -XL on order number for version with long handle

## DIMENSIONS



## SPARE PARTS FW 3510



Item	Component	Dimensions	Pcs.	Order no.
	Repair kit fifth wheel cpl.			<b>RK-3510-R</b>
	Repair kit locking mechanism (1, 2, 3, 4)			<b>RS-91089</b>
	Repair kit anchor pin / rubber (26, 27, 36, 37)			<b>RS-91086</b>
	Repair kit anchor pin / rubber (26, 27, 36, 37, 39)			<b>RS-91086-1</b>
	Repair kit anchor pin / bush kit (26, 27, 36A, 37, 39, 40A)			<b>RS-91131-1</b>
	Repair kit operating handle (21, 34, 35)			<b>RS-91093</b>
	Repair kit operating handle - long (21, 34, 35)			<b>RS-91098</b>
	Repair kit			<b>RS-91110</b>
	Coupling plate without mounting bracket			<b>FW3510-TP</b>

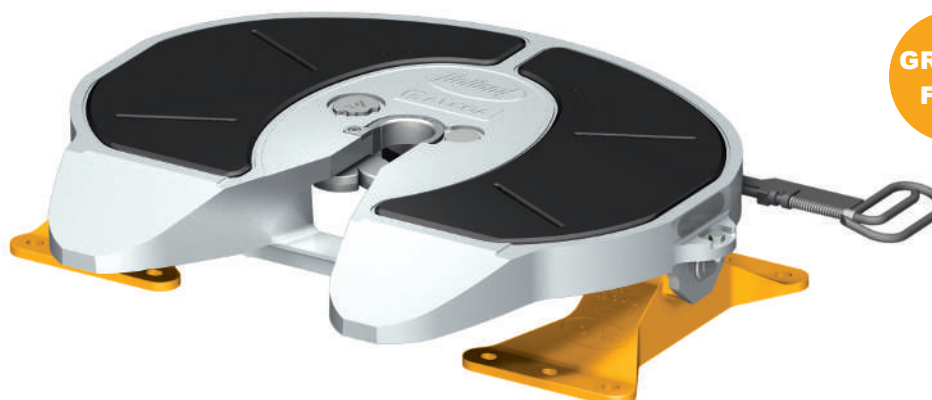
Item	Component	Dimensions	Pcs.	Order no.
1	Lock jaw kit		1	
2	Lock pin		2	
3	Circlip	27x1,2	2	
4	Grease nipple	M10x1	2	
5	Spring		2	<b>XB-07628</b>
6	Screw	M12x50	1	
7	Washer		2	
8	Bush		1	
9	Cam plate		1	<b>XA-07150-R-KTL</b>
10	Safety flange	M12	1	
11	Hex-screw		1	<b>XB-CX-58-F-134</b>
12	Washer (Knorr)		2	<b>XB-07431</b>
13	Cam roller		1	<b>XA-1507</b>
14	Safety flange		1	<b>XB-HNH-34-F</b>
15	Washer	M20	1	<b>33034</b>
16	Rubber washer		1	<b>XB-1127</b>
17	Instruction plate		1	<b>XB-02312-1</b>
18	Spring		1	<b>XB-1505</b>
19	Yoke shaft		2	<b>XA-1706</b>
20	Yoke		2	<b>XA-07295-KTL</b>
21	Standard handle		2	
	Operating handle		1	<b>XA-09752</b>
22	Hex socket head screw	M12x40	1	<b>31040</b>
23	Bush		1	<b>XA-03082</b>
24	Washer		1	
25	Safety flange	M12	2	
26	Screw	M12x30	2	
27	Safety flange	M12	2	
28	Holder for lubrication tube		1	<b>XA-E-60234</b>
29	Spiral pin		1	
30	Spring, Torsion		1	<b>XB-2149</b>
31	Lock bar		4	<b>XA-3542-R-KTL</b>
32	Grease nipple	M10x1	1	<b>38009</b>
33	Instruction plate		2	<b>XB-07610</b>
34	Return spring		1	
35	Sprinh holder		1	
36	Rubber bush		2	
36a	Rubber bush		1	
37	Bearing bolt		1	
38	Mounting bracket	150mm	2	<b>XD-04942-KTL</b>
38	Mounting bracket	180mm	2	<b>XD-04943-KTL</b>
38	Mounting bracket	200mm	2	<b>XD-04944-KTL</b>
38a	Mounting bracket	180mm - 06.2007-12.2011	2	
39	Pocket Insert		1	
40	Rubber washer		1	<b>XB-60144</b>
40a	Rubber washer	für 38A, for 38A	2	

Pocket inserts: Used on all fifth wheels from February 2002 on

Note: Grease fitting item 32 not required on units fitted with pocket inserts.



## FWAL-E



**GREASE  
FREE**

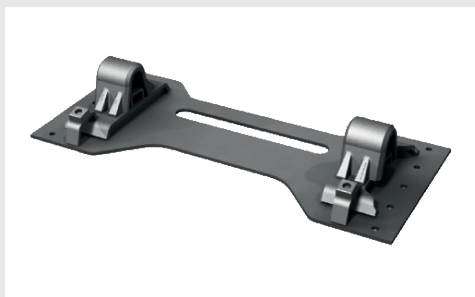
- Imposed load: 20 t
- D-value: 150 kN
- ECE Type Approval no: E11-55R-016168
- Lock size: 2 Inch

### COMBINED WITH DIN/ISO BRACKET MOUNTING



Mounting bracket for ISO mounting on mounting plates, type approved according to ECE-R55.

### COMBINED WITH WEIGHTSAVER MOUNTING



Combined mounting brackets and mounting plate resulting in weight reduction with easier and time-saving installation through direct mounting on the chassis.

Available in 2 different widths and available with hole patterns to suit all OEM chassis mounting angles.

Contact SAF-HOLLAND for full part number information.

## TECHNICAL DATA

### ISO-Montage

Type	Height [mm]		Weight [kg]	Order no.
FWAL-E	165		94	FWAL-E-IS-165
FWAL-E	195		100	FWAL-E-IS-195
FWAL-E	220		103	FWAL-E-IS-220

### Undrilled Weightsaver

Type	Height [mm]	Weightsaver width [mm]	Weight [kg]	Order no.
FWAL-E	180	965	120	FWAL-E-W1-180
FWAL-E	205	965	123	FWAL-E-W1-205
FWAL-E	245	965	127	FWAL-E-W1-245
FWAL-E	180	1050	124	FWAL-E-W2-180
FWAL-E	205	1050	127	FWAL-E-W2-205
FWAL-E	245	1050	131	FWAL-E-W2-245

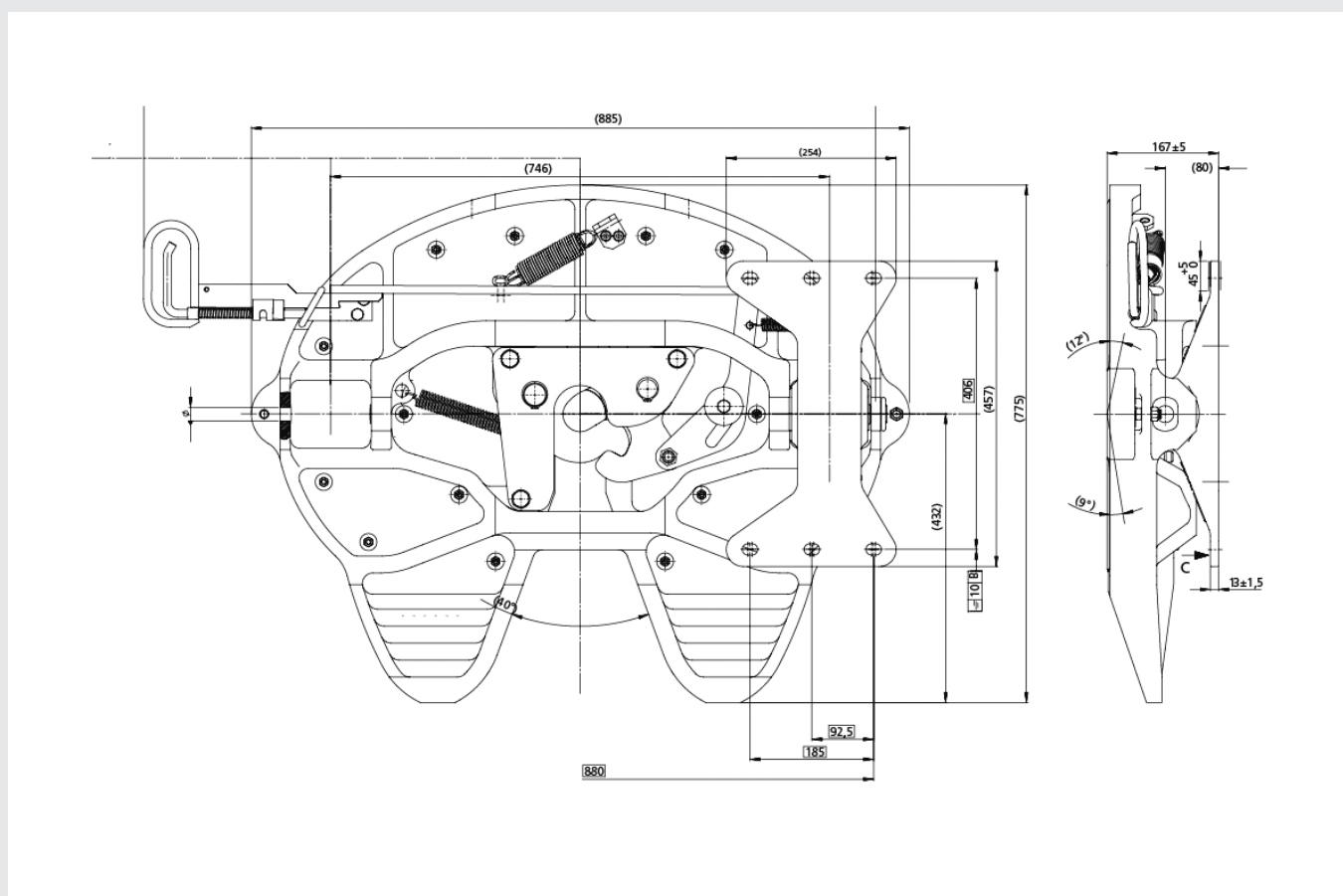
### Predrilled Weightsaver

Type	Height [mm]	Weightsaver width [mm]	Weight [kg]	Order no.
<b>MAN</b>				
FWAL-E	180	965	120	FWAL-E-W1-180G
FWAL-E	205	965	123	FWAL-E-W1-205G
FWAL-E	245	965	127	FWAL-E-W1-245G
<b>Mercedes-Benz (Mounting width 860 mm)</b>				
FWAL-E	180	965	118	FWAL-E-W1-180J
FWAL-E	205	965	120	FWAL-E-W1-205J
FWAL-E	245	965	124	FWAL-E-W1-245J
<b>Scania</b>				
FWAL-E	180	965	120	FWAL-E-W1-180S
FWAL-E	205	965	123	FWAL-E-W1-205S
FWAL-E	245	965	127	FWAL-E-W1-245S
<b>Iveco</b>				
FWAL-E	180	965	118	FWAL-E-W1-180Z
FWAL-E	205	965	120	FWAL-E-W1-205Z
FWAL-E	245	965	124	FWAL-E-W1-245Z

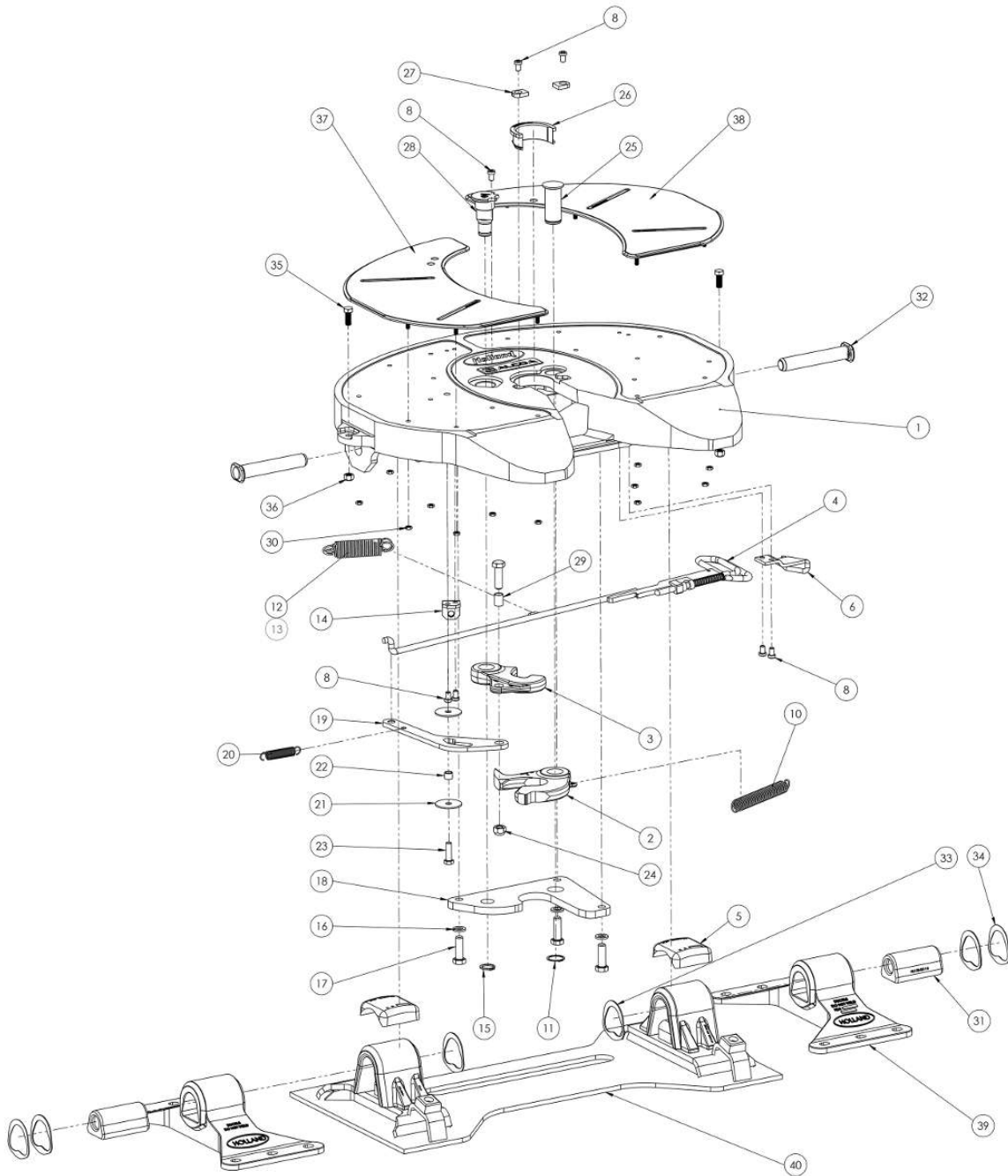
Type	Height [mm]	Weightsaver width [mm]	Weight [kg]	Order no.
<b>DAF</b>				
FWAL-E	180	965	120	FWAL-E-W1-180D
FWAL-E	205	965	123	FWAL-E-W1-205D
FWAL-E	245	965	127	FWAL-E-W1-245D
<b>Volvo</b>				
FWAL-E	180	1050	124	FWAL-E-W2-180P
FWAL-E	205	1050	127	FWAL-E-W2-205P
FWAL-E	245	1050	131	FWAL-E-W2-245P
<b>Renault</b>				
FWAL-E	180	1050	124	FWAL-E-W2-180R1
FWAL-E	205	1050	127	FWAL-E-W2-205R1
FWAL-E	245	1050	131	FWAL-E-W2-245R1

other hole patterns for weightsaver available on request

## DIMENSIONS



# SPARE PARTS FWAL-E





Item	Component	Dimensions	Pcs.	Order no.
	Repair kit fifth wheel cpl. (2, 3, 4, 9, 10, 11, 12, 13, 15, 17, 19, 20, 21, 22, 24, 25, 26, 27, 28, 29)			<b>RK-AL-A-E</b>
	Repair kit wear ring (9, 26, 27)			<b>RK-AL-10680</b>
	Repair kit locking mechanism (2, 3, 9, 10, 11, 15, 25, 26, 27, 28)			<b>RK-AL-10486</b>
	Repair kit for wear plate (30, 37, 38)			<b>RK-331-1</b>
	Replacement Operating Handle Kit (4, 12, 13)			<b>RK-AL-10681</b>
	Bracket pins / Rubber bush kit (5, 31, 32, 33, 35, 36)			<b>RK-AL-0011-3</b>
	Coupling plate without mounting bracket			<b>FWAL-E-TP</b>
1	Plate		1	
2	Coupler jaw		1	
3	Lock hook		1	
4	Operating handle		1	
5	Pocket Insert		2	
6	Guide-/lever		1	<b>XA-11082</b>
8	Fixing screw	M10x1,5x16	4	
10	Return spring		1	
11	Circlip		1	
12	Return spring - inside		1	
13	Return spring - outside		1	
14	Sprinh holder		1	<b>XA-11083</b>
15	Circlip		1	
16	Spring washer	M16	3	<b>XB-LW-M16-Z</b>
17	Screw	M16x50	3	
18	Brake cylinder support		1	<b>XA-11038</b>
19	Release cam		1	
20	Return spring		1	
21	Washer		2	
22	Bush		1	
23	Screw	M12x40	1	<b>31039</b>
24	Safety flange		1	
25	Lock pin		1	
26	Wear ring		1	
27	Holder plate		1	
28	Adjustment Pin		1	
29	Spacer		1	
30	Safety flange	M8	18	
31	Rubber bush		2	
32	Bearing bolt		2	
33	Clevis crossbar	1mm	2	
34	Clevis crossbar	2mm	4	<b>XB-60144-S3</b>
35	Screw	M12x30	2	
36	Safety flange	M12	2	
37	Wear plate left		1	
38	Wear plate right		1	
39	Mounting bracket	165mm	2	<b>XD-04942</b>
39	Mounting bracket	195mm	2	<b>XD-04943</b>
39	Mounting bracket	215mm	2	<b>XD-04944</b>
40	On Request			

## RECOLUBE



Vehicles built from April 1, 2017 and from on-board computer version ZBR E8, are equipped with the device required to control the pump.

### ALWAYS A RELIABLE COMBINATION – MAN AND SAF-HOLLAND

It is essential that you can rely 100 % on your fifth wheels. They are one of the most important components of a vehicle. SAF-HOLLAND develop and produce innovative, safe and high-quality components that meet the individual specifications of MAN's customers. High-precision manufacturing and strict controls ensure that the high quality standards of both partners are met.

In collaboration with MAN, SAF-HOLLAND responds **individually** to all sorts of specific and diverse customer requirements : Whether being used in light trucks, heavy all-terrain transport or for abnormal loads – the SAF HOLLAND fifth wheel is the **perfect solution for any transport task**. Its very low system weight and exceptionally long service life and exemplary **low maintenance costs** contribute significantly to the economic efficiency of the entire vehicle.

## ADVANTAGES OF THERECOLUBE GREASE DISPENSER:

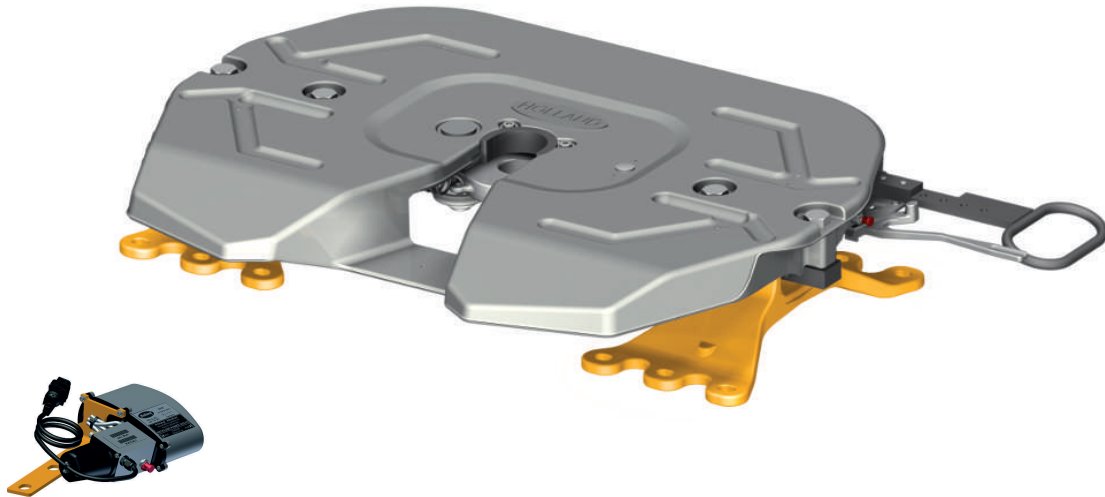
- No need for regular manual lubrication
- **Environmentally friendly, optimised lubrication** thanks to automatic dosage
- **High pump capacity** guarantees functionality even in difficult conditions and at low temperatures
- Grease supply sufficient for **1 year of operation** or **100 000 km**
- **Refilling via lubrication nipple** using standard cartridge gun
- **Functionality and fill-level monitoring** via vehicle display

## RECOLUBE POWER SKX 372



This high-performance lubricant is ideal for the automatic lubrication of fifth wheels – both at very low and very high temperatures. The special lubricant is capable of withstanding extreme loads, is exceptionally resistant to water and at the same time offers excellent protection against corrosion.

## SK-S 36.20 WITH RECOLUBE

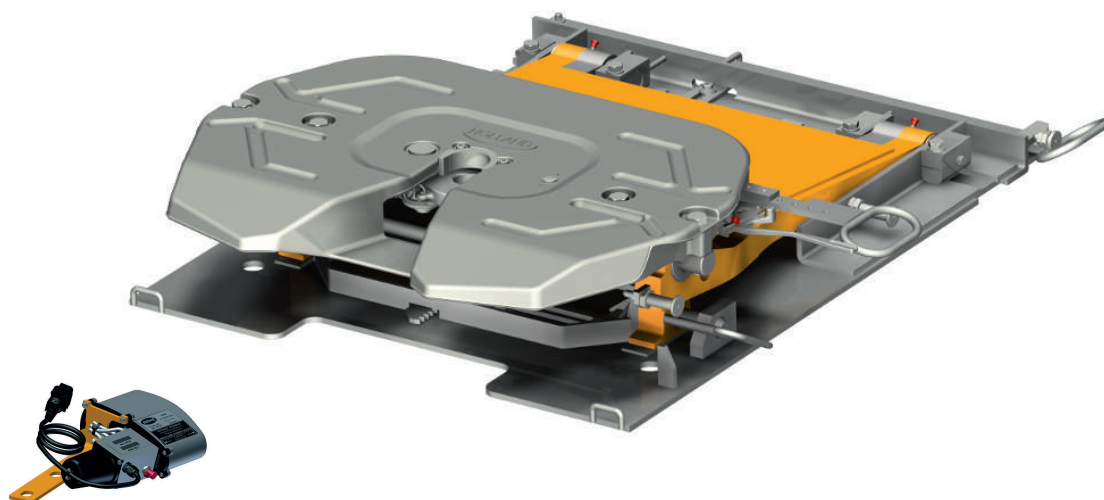


- Five separate pump elements with high output pressure
- Controlled from vehicle's central on-board computer
- Electronic fill-level monitoring in vehicle display
- Monitoring of functions in vehicle display
- Mounted on mounting bracket

### TECHNICAL DATA

Type	Lock size [Inch]	Overall height [mm]	Weight [kg]	MAN Order Code	MAN Part No.	Order no.
SK-S 36.20 Recolube	2	128	119	-	-	<b>662129550</b>
SK-S 36.20 Recolube	2	150	120	491PA	81.42710-6317	<b>662129551</b>
SK-S 36.20 Recolube	2	185	125	491PC	81.42710-6301	<b>662129552</b>
SK-S 36.20 Recolube	2	225	126	-	-	<b>662129553</b>
SK-S 36.20 Recolube	2	250	135	491PF	81.42710-6318	<b>662129554</b>

## SK-S 36.20 H (DUAL DUTY FIFTH WHEEL) WITH RECOLUBE

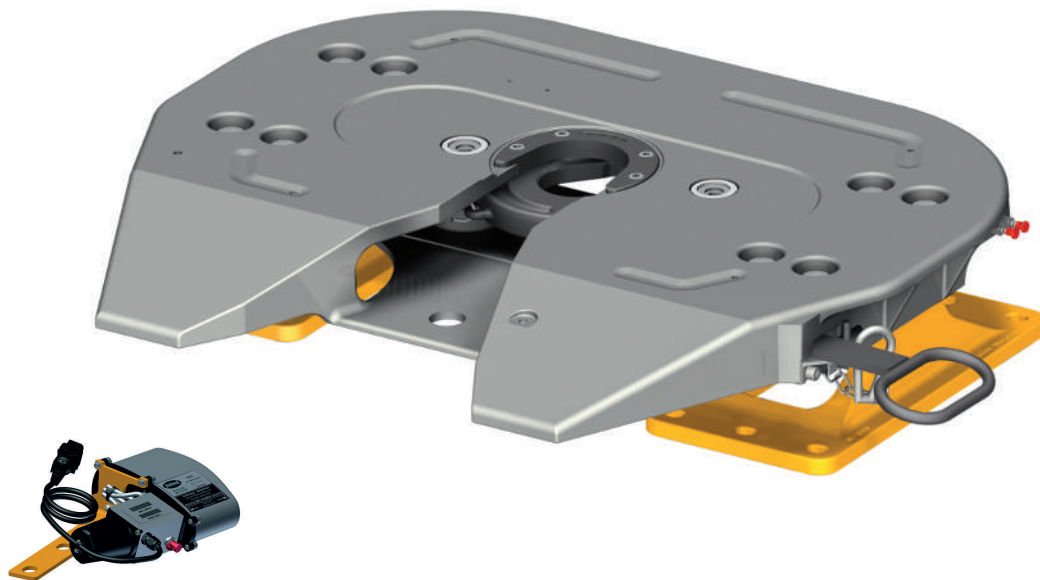


- Extremely robust and user friendly
- Weight optimised model
- Adjustable coupling height
- Simple wear adjustment
- Approved for forced steering

### TECHNICAL DATA

Type	Lock size [Inch]	Overall height [mm]	Weight [kg]	MAN Order Code	MAN Part No.	Order no.
SK-S 36.20 H Recolube	2	167-317	333	491HM	81.42710-6327	<b>662132893</b>

## SK-HD 38.36 WITH RECOLUBE



- Permanent, maintenance-free bearings
- Conversion from 3.5" to 2" and vice versa possible
- Simple adjustment of locking mechanism
- Suitable for steering wedge applications

### TECHNICAL DATA

Type	Lock size [Inch]	Overall height [mm]	Weight [kg]	MAN Order Code	MAN Part No.	Order no.
SK-HD 38.36 Recolube	2	190	194	491NP	81.42710-6321	<b>662111034</b>
SK-HD 38.36 Recolube	3.5	190	193	491PP	81.42710-6320	<b>662111032</b>

## SPARE PARTS RECOLUBE



Only for MAN-versions Recolube can be used

### TECHNICAL DATA

FW type	Name	Content	MAN Part No.	SAF Part No.
SK-S 36.20 SK-HD 38.36	RECOLUBE lubrication pump	RECOLUBE lubrication pump with lubrication lines without bracket	81.49101-6081	662 101 781
SK-S 36.20 H	RECOLUBE lubrication pump	RECOLUBE lubrication pump without lubrication lines, without bracket	81.49101-6083	662 101 783
SK-S 36.20	bracket	with screws and washer 3 x M4 x 20 2 x M6 x 20	81.49120-0049	662 101 784
SK-HD 38.36	bracket	with screws and washer 3 x M4 x 20 2 x M6 x 20	81.49120-0050	662 101 785
SK-S 36.20 H	bracket + screw kit	1 x bracket + 2 x M10 x 20 + 2 x washer	81.49120-0051	662 101 787
SK-S 36.20 SK-HD 38.36 SK-S 36.20 H	grease tube pre-filled	2 m tube + 3 push-fit plug D6	81.49501-0067	662 101 786
SK-S 36.20 SK-HD 38.36 SK-S 36.20 H	Holland RECOLUBE POWER SKX 372 refill grease	2 x 400 g cartridge	09.15014-0044	662 101 788
SK-S 36.20 SK-HD 38.36 SK-S 36.20 H	Holland RECOLUBE POWER SKX 372 bulk pack grease	25 kg bucket	09.15014-0043	662 101 789
SK-S 36.20 H	Lubrication kit (only for RECOLUBE)	Lubrication kit with grease tubes	–	662 132 043

# NOTES

\_\_\_\_\_

\_\_\_\_\_

\_\_\_\_\_

\_\_\_\_\_

\_\_\_\_\_

\_\_\_\_\_

\_\_\_\_\_

\_\_\_\_\_

\_\_\_\_\_

\_\_\_\_\_

\_\_\_\_\_

\_\_\_\_\_

\_\_\_\_\_

\_\_\_\_\_

\_\_\_\_\_

\_\_\_\_\_

\_\_\_\_\_

\_\_\_\_\_

\_\_\_\_\_

\_\_\_\_\_

\_\_\_\_\_

\_\_\_\_\_

\_\_\_\_\_

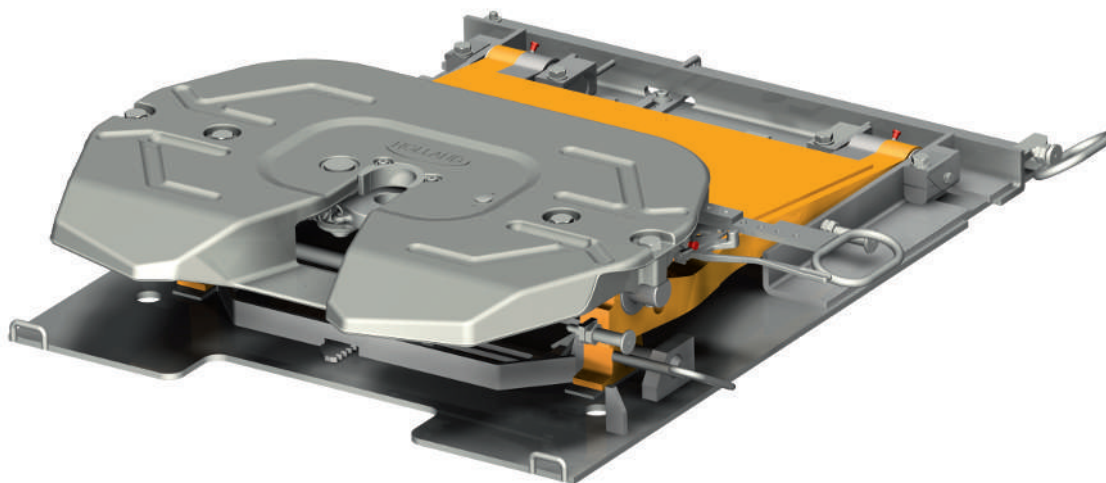
\_\_\_\_\_

\_\_\_\_\_

\_\_\_\_\_



## SK-S 36.20 H (DUAL DUTY FIFTH WHEEL)



- Approved for forced steering
- ECE Type Approval no: E11 55R-01 1381

### ORDERING INSTRUCTIONS

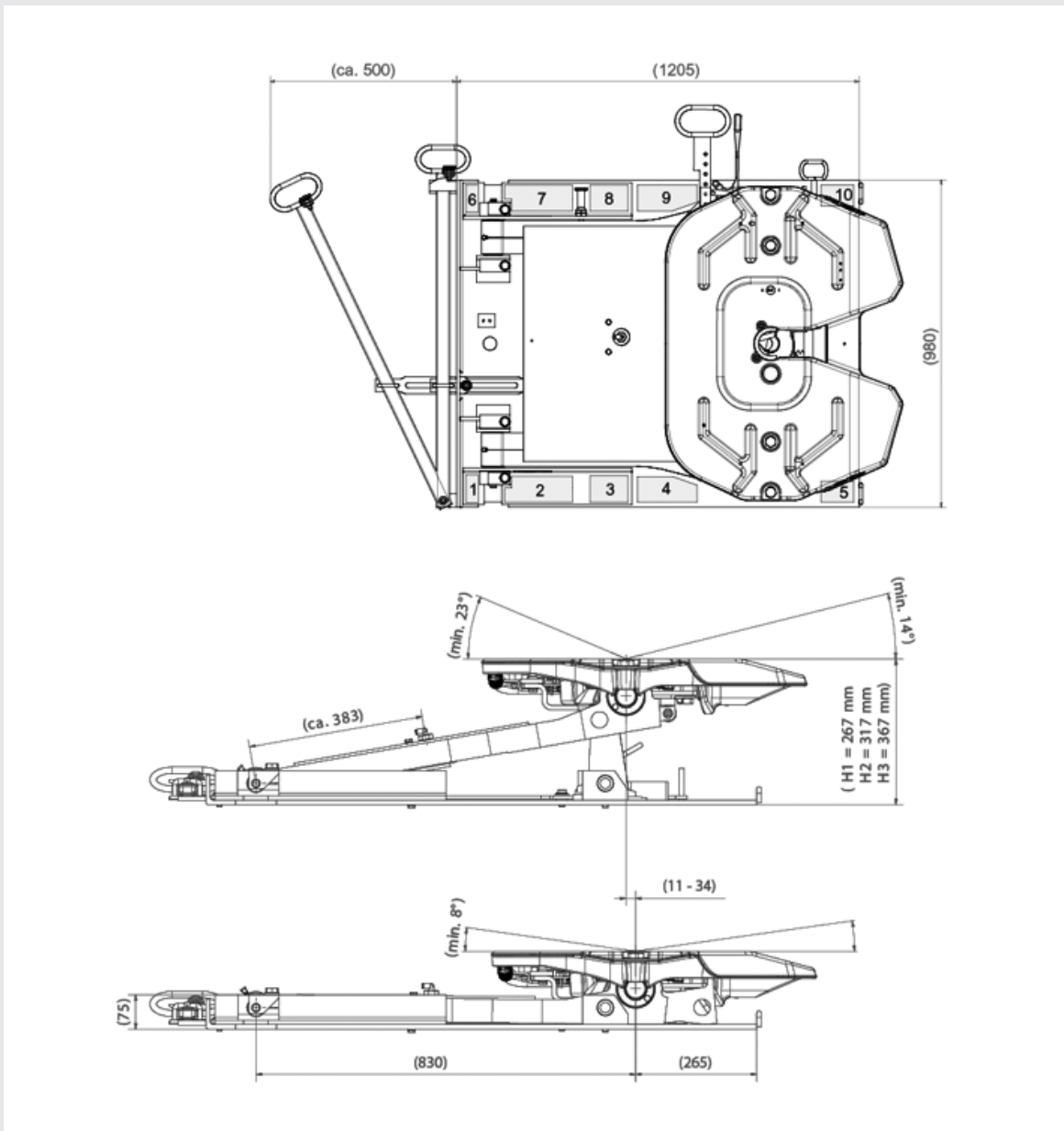
- The standard versions listed are not pre-drilled
- Hole patterns for vehicle mounting\* are available on request for DAF, Iveco, MAN, Mercedes-Benz Trucks, Renault, Scania, and Volvo, among others.
- Please specify the tractor vehicle brand when placing your order.
- The use of SAF-HOLLAND mounting kits is recommended for mounting the dual-height fifth wheel.
- SAF-HOLLAND height-adjustable fifth wheels are suitable for 4 x 2 tractor units factory-equipped with a mounting angle for mounting the adjustable height fifth wheel. Other vehicles must be assessed on a case-by-case basis.
- The dual-duty fifth wheel is designed for the use with 4 x 2 Lowliner semitrailer tractors for volume transport.
- The dual-duty fifth wheel is not suitable for tank, silo and tipper vehicles.
- The dual-duty fifth wheel is not suitable for off-road use.
- Dual-duty fifth wheels are mounted directly onto the vehicle subframe without a mounting plate. The subframe must be designed for lift SK mounting. If not all holes are available in the subframe, these must be drilled by the customer.
- Pre-drilled dual-duty fifth wheels are mounted in the lowered position with the standard fifth wheel lead recommended by the vehicle manufacturer. All drilled holes must be used (see assembly instructions).

\* The hole patterns for vehicle mounting comply with the EURO standard fifth wheel lead that is specified by the vehicle manufacturers, and recommended in member states of the EU for fifth wheel mounting when the dual-height fifth wheel is in the lowered position. In a 2-axle tractor vehicle, the standard fifth wheel lead is the distance from the middle of the rear axle to the middle of the kingpin.

## TECHNICAL SPECIFICATIONS

- Movement around lateral axis at basic height 6°
- Operation: adjustable by means of the tractor's compressed air system with pneumatic support (air bellows)
- In raised position, fifth-wheel lead increased by: 11 mm [267] / 24 mm [317] / 34 mm [367]

## DIMENSIONS



- The fixing holes may be drilled in these 10 areas
- Increase number of bolts accordingly when using bolts with a smaller diameter

Subject to modifications in dimensions and design

## TECHNICAL DATA

### Standard Model / Mounting width up to 930 mm

Type	Overall height [mm]	Imposed load [t]	D-value [kN]	Weight [kg]	Dimensions [mm]	Order no.
SK-S 36.20 H	167-267	15	110	320	1205x980	<b>662132311Z</b>
SK-S 36.20 H	167-317	15	110	324	1205x980	<b>662132312Z</b>
SK-S 36.20 H	167-367	15	110	328	1205x980	<b>662132313Z</b>

### Standard Model / Mounting width over 930 mm

Type	Overall height [mm]	Imposed load [t]	D-value [kN]	Weight [kg]	Dimensions [mm]	Order no.
SK-S 36.20 H	167-267	15	110	322	1205x1010	<b>662142311Z</b>
SK-S 36.20 H	167-317	15	110	326	1205x1010	<b>662142312Z</b>
SK-S 36.20 H	167-367	15	110	330	1205x1010	<b>662142313Z</b>

## MOUNTING KITS SK-S 36.20 H

### Standard Model

Type	Mounting	Model	Order no.
725	Mercedes Benz, Australia, New Zealand	12xM20	<b>662101725</b>
726	IVECO, MAN, DAF, Renault (Magnum, Premium)	14xM16	<b>662101726</b>
728	Volvo	20xM14	<b>662101728</b>
729	Scania	14xM18	<b>662101729</b>

**Manufacturer-specific standard model lubricated**

Type	Overall height [mm]	Imposed load [t]	D-value [kN]	Weight [kg]	Dimensions [mm]	Order no.
<b>MAN</b>						
SK-S 36.20 H	167-267	15	110	320	1205x980	662132605E
SK-S 36.20 H	167-317	15	110	324	1205x980	662132606E
SK-S 36.20 H	167-367	15	110	328	1205x980	662132607E
<b>Mercedes-Benz</b>						
SK-S 36.20 H*	167-267	15	110	320	1205x980	662132405S
SK-S 36.20 H*	167-317	15	110	324	1205x980	662132406S
SK-S 36.20 H*	167-367	15	110	328	1205x980	662132407S
SK-S 36.20 H**	167-267	15	110	322	1205x1010	662142805S
SK-S 36.20 H**	167-317	15	110	326	1205x1010	662142806S
SK-S 36.20 H**	167-367	15	110	330	1205x1010	662142807S
<b>Scania***</b>						
SK-S 36.20 H	167-267	15	110	320	1205x980	662132505D
SK-S 36.20 H	167-317	15	110	324	1205x980	662132506D
SK-S 36.20 H	167-367	15	110	328	1205x980	662132507D
<b>Iveco</b>						
SK-S 36.20 H	167-267	15	110	320	1205x980	662132555Z
SK-S 36.20 H	167-317	15	110	324	1205x980	662132556Z
SK-S 36.20 H	167-367	15	110	328	1205x980	662132557Z
<b>DAF</b>						
SK-S 36.20 H	167-267	15	110	320	1205x980	662132705T
SK-S 36.20 H	167-317	15	110	324	1205x980	662132706T
SK-S 36.20 H	167-367	15	110	328	1205x980	662132707T
<b>Volvo / Renault D &amp; T Modell****</b>						
SK-S 36.20 H	167-267	15	110	320	1205x1010	662142458Z
SK-S 36.20 H	167-317	15	110	324	1205x1010	662142459Z
SK-S 36.20 H	167-367	15	110	328	1205x1010	662142460Z
<b>Renault Magnum</b>						
SK-S 36.20 H	167-267	15	110	322	1205x980	662132755Z
SK-S 36.20 H	167-317	15	110	326	1205x980	662132756Z
SK-S 36.20 H	167-367	15	110	330	1205x980	662132757Z
<b>Renault Premium</b>						
SK-S 36.20 H	167-267	15	110	322	1205x980	662132655Z
SK-S 36.20 H	167-317	15	110	326	1205x980	662132766Z
SK-S 36.20 H	167-367	15	110	330	1205x980	662132767Z

\* Not compatible with Mercedes-Benz with holes 942-960 mm apart

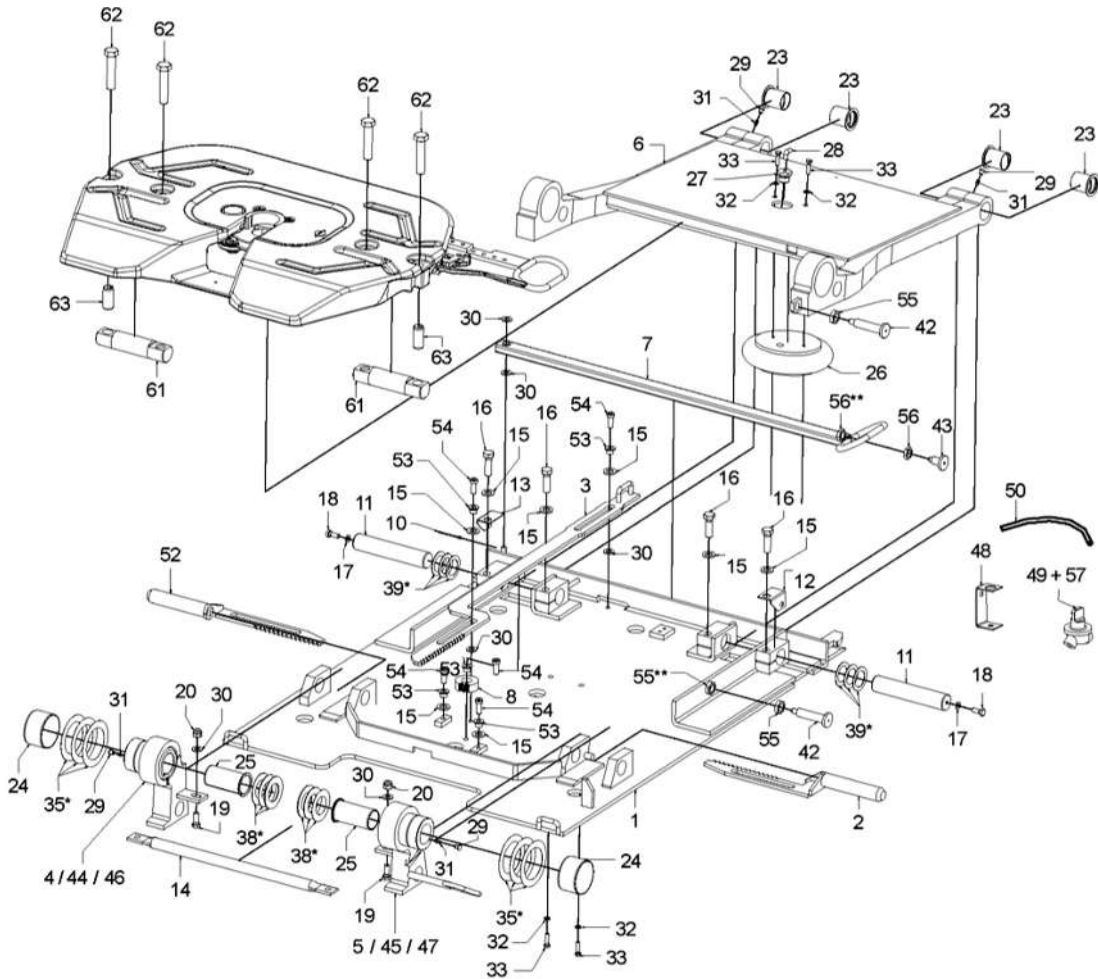
\*\* Mounting kit mounting angles 662 101 657 included with delivery

\*\*\* Additional mounting angle required for vehicle mounting:  
 for wheel base 3550 mm: 662 101 735 (up to spring 2012)  
 for wheel base 3700 mm: 662 101 734 (up to spring 2012)  
 for wheel base 3550/3600 mm: 662 101 776 (from spring 2012)  
 for wheel base 3700/3750 mm: 662 101 777 (from spring 2012)

\*\*\*\* Attention: Drilling pattern Renault D & T model medium duty width 940 mm, single case examination is required



## SPARE PARTS SK-S 36.20 H



Item	Component	Dimensions	Pcs.	Order no.
	Repair kit locking mechanism**			662101492
	Conversion		1	662101741
	Repair kit air cushin (26, 27, 28, 32, 33)		1	662101742
	Repair kit locking mechanism cpl. (2, 3, 8, 15, 30, 52, 53, 54)		1	662101744
	Repair kit Operating handle		1	662101746
	Repair kit bearing (61, 62, 63)		1	662101758
	Repair kit locking mechanism cpl. (7, 10, 30)		1	662101760
	Repair kit pneumatic valve (48, 49, 50, 57)		1	662101761
	Repair kit Spring plate long (42, 55)		1	662101762
	Repair kit Spring plate short (43, 56)		1	662101763
	Repair kits for rocker bearing (11, 12, 13, 16, 17, 18, 23, 29)		1	662132195
	Repair kits for support bearing (19, 20, 24, 25, 30, 35*, 38*)		1	662132196
	Coupling plate			662132294
	Central lubrication unit (MAN)			662101810

Item	Component	Dimensions	Pcs.	Order no.
1	Brake cylinder support		1	
2	Lock pin right		1	
3	Actuating rod		1	
4	Support left 100 mm (25, 29, 31)	100mm	1	<b>662132181</b>
5	Support right 100 mm (25, 29, 31)	100mm	1	<b>662132182</b>
6	Rocker cpl.		1	
7	Locking lever		1	
8	Toothed wheel		1	
10	Cotter pin		1	
11	Bolt		2	
12	Lock plate right		1	
13	Lock plate left		1	
14	Guide pipe		1	<b>662132120</b>
15	Washer		8	
16	Screw	M16x1,5x55	4	
17	Spring washer	F10	2	
18	Screw	M10x25	2	
19	Screw	M12x30	2	
20	Hex-nut	M12x80	2	
23	Bush	40/44/50	4	
24	Bush	80/85/50	2	
25	Brass bush		2	
26	Air bag	FS200-100	1	
27	Screw		1	
28	90° elbow connector		1	
29	Grease fitting cap		4	
30	Washer	A13	6	
31	Grease nipple	AM8	4	
32	Spring washer		4	
33	Screw	M8x25	4	
35*	Compensating disc assembly		2	
38*	Compensating disc assembly		2	
39*	Distance washer kit		2	<b>662132199</b>
42	Spring plate long		2	
43	Spring plate short		1	
44	Support left 150 mm (25, 29, 31)	150mm	1	<b>662132183</b>
45	Support right 150 mm (25, 29, 31)	150mm	1	<b>662132184</b>
46	Support left 200 mm (25, 29, 31)	200mm	1	<b>662132185</b>
47	Support right 200 mm (25, 29, 31)	200mm	1	<b>662132186</b>
48	Holder		1	
49	Control valve	3/2	1	
50	Pneumatic tube		1	
52	Lock pin left		1	
53	Bush		5	
54	Cylinder screw	M12x30 8.8	5	
55	Hex-nut	M20x1,5x45	3	
56	Hex-nut	M18X1	2	
57	Hex-nut(not shown )	M28X1,5	1	
61	Spindle		2	
62	Hex-screw	M20X90	4	
63	Spring pin	25x45	2	

## SK-HD 38.36



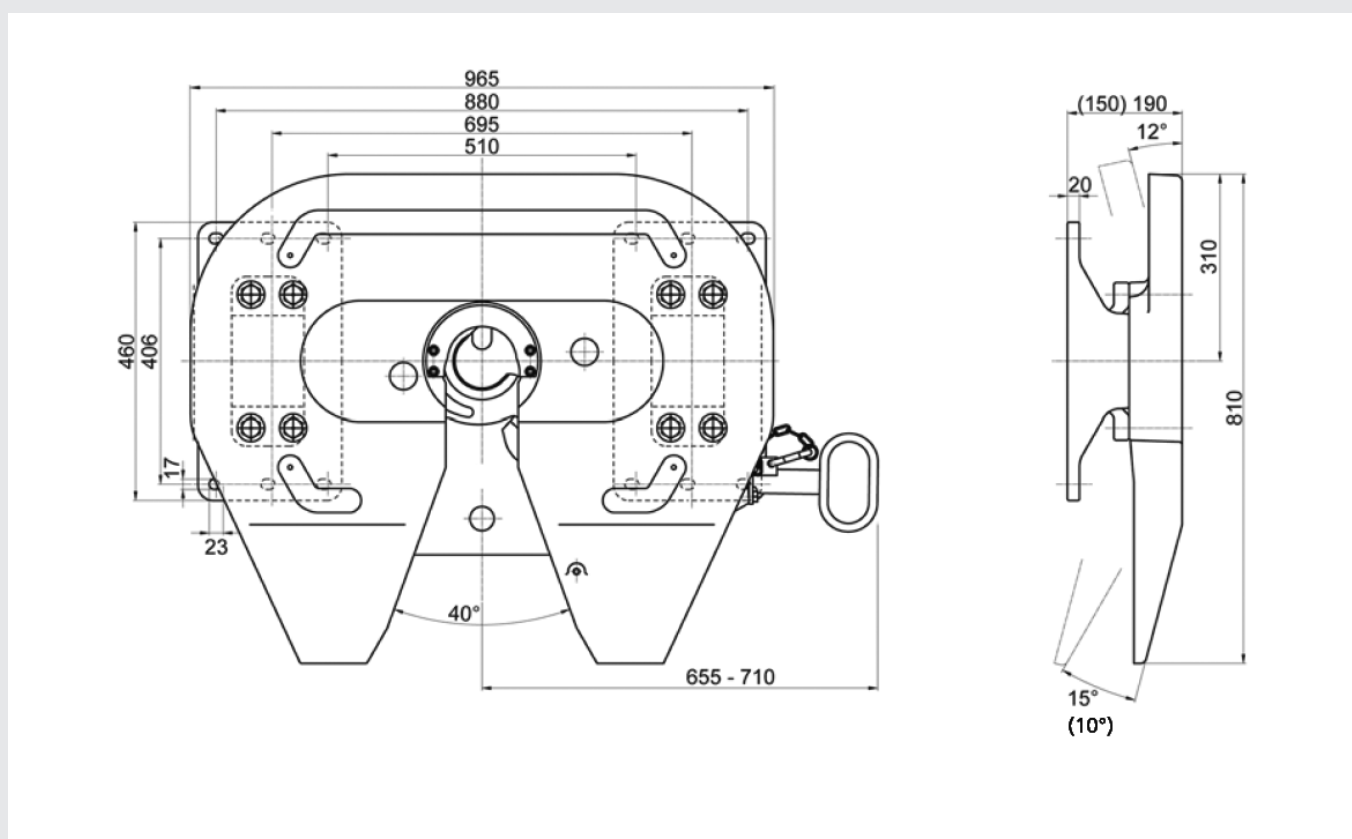
- Conversion from 2" to 3½" and vice versa possible
  - Conversion kit from 3½" to 2" : 662 101 704
  - Conversion kit from 2" to 3½" : 662 101 705
- Approved for forced steering
- Available with optional slider or also in an off-road version with gimbal mounting
- ECE type approval no.: E11-55R-01 8550 (2")
- ECE type approval no.: E11-55R-01 8549 (3½")



## TECHNICAL DATA

Type	Lock size [Inch]	Overall height [mm]	Imposed load [t]	D-value [kN]	Weight [kg]	Angle of inclination degree (w1/w2)	Order no.
<b>2"</b>							
SK-HD 38.36	2"	150	23	162	185	10° / 10°	<b>662111085</b>
SK-HD 38.36	2"	190	23	162	185	15° / 12°	<b>662111074</b>
<b>3,5"</b>							
SK-HD 38.36	3.5"	150	36	260	185	10° / 10°	<b>662111065</b>
SK-HD 38.36	3.5"	190	36	260	185	15° / 12°	<b>662111066</b>

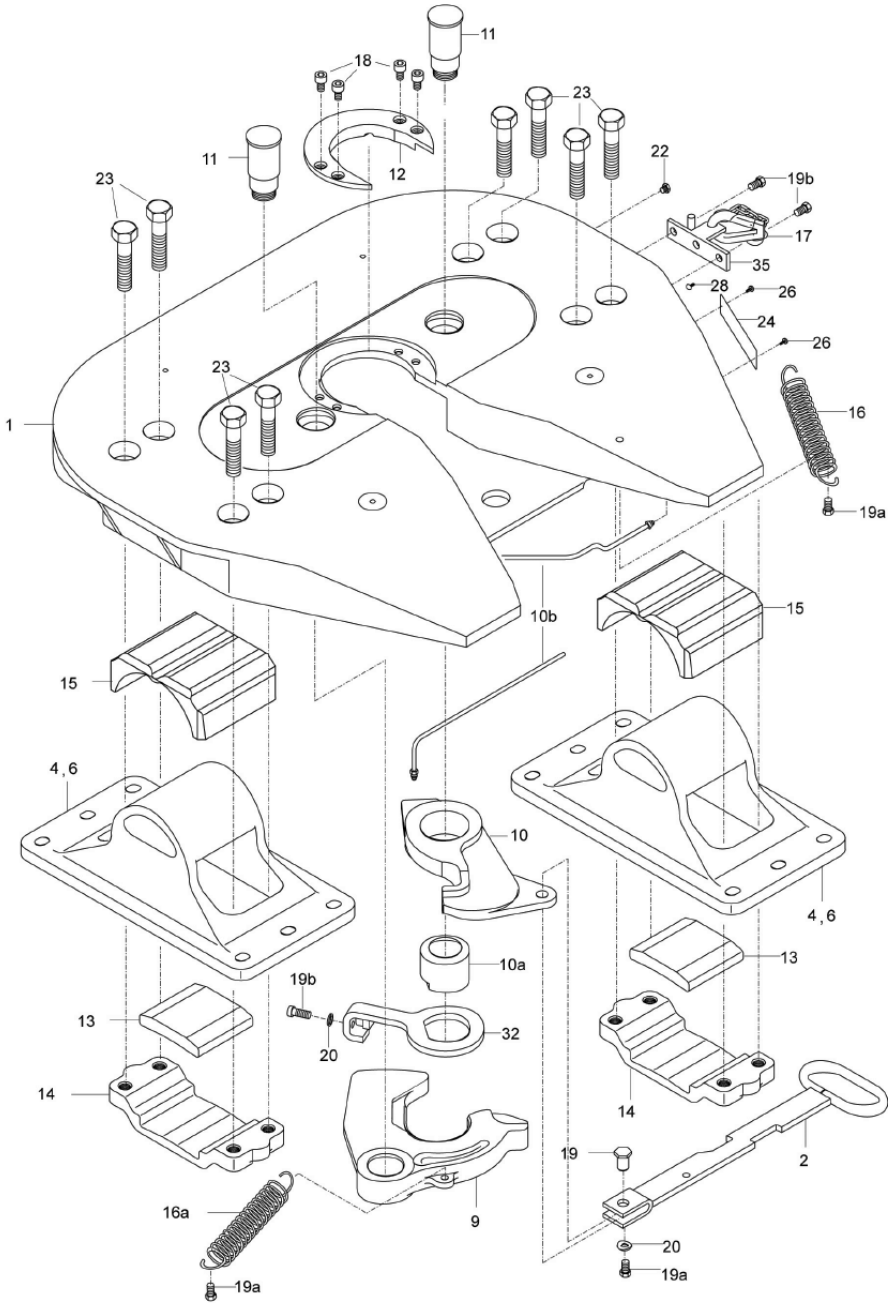
## DIMENSIONS



Mounting hole pattern according to DIN 74081  
 Subject to modifications in dimensions and design

# SPARE PARTS SK-HD 38.36

FROM SERIAL NUMBER 40001301



UP TO SERIAL NUMBER 40001300 PLEASE ASK FOR SPARE PARTS SEPARATELY  
Please note: Also applies for serial numbers 40001055-1144 and 40001195-1216

Item	Component	Dimensions	Pcs.	Order no.
	2" Repair kit bearing (13, 15, 23)*		1	662101457
	3.5" Repair kit bearing (13, 15, 23)*		1	662101457
	Conversion kit 3.5" to 2" (9, 12, 18, 24)		1	662101704
	Conversion kit 2" to 3.5" (9, 12, 18, 24)		1	662101705
	Repair kit locking mechanism and bearings (9, 11, 12, 13, 15, 18, 23)		1	662101706
	Repair kit locking mechanism and bearings (9, 11, 12, 13, 15, 18, 23)		1	662101707
	Repair kit locking mechanism (9, 11, 12, 18)	2"	1	662101708
	Repair kit locking mechanism (9, 11, 12, 18)	3.5"	1	662101709
	Repair kit wear ring (12, 18)		1	662101710
	Repair kit wear ring (12, 18)		1	662101711
	Coupling plate without mounting bracket	2"	1	662111092
	Coupling plate without mounting bracket	3.5"	1	662111093
1	Coupling plate		1	
2	Operating handle		1	662111276
4	Mounting bracket	150mm	2	662111293
6	Mounting bracket	190mm	2	662111256
9	Coupler jaw		1	
9	Coupler jaw		1	
10	Locking hook		1	662111239
10a	Eccenter		1	662111317
10b	Lubrication tube complete	L=410	2	
11	Pin cpl.		2	
12	Wear ring	2"	1	
12	Wear ring	3.5"	1	
13	Rubber damping		2	
14	Tensioning bar		2	662111258
15	Bearing insert		2	
16	Return spring		1	662126410
16a	Return spring		1	662111130
17	Clipper with linkage		1	
18	Cylinder screw	M12x14	4	
19	Bolt		1	662126449
19a	Screw	M10x20	3	659112359
19b	Cylinder screw	M10x25	3	659112358
20	U-washer	Ø10	2	662126175
22	Grease nipple	M8x1	2	662126224
23	Screw	M20x100	8	
24	Identification plate		1	
26	Groove pin	3x8	2	
28	Rivet		1	
32	Yoke		1	662111314
35	Safety flange		1	662111281
	Plug		1	662111346

\* Repair kit 2" and 3.5" identical

## SK-HD 38.36 G (OFF-ROAD USE)

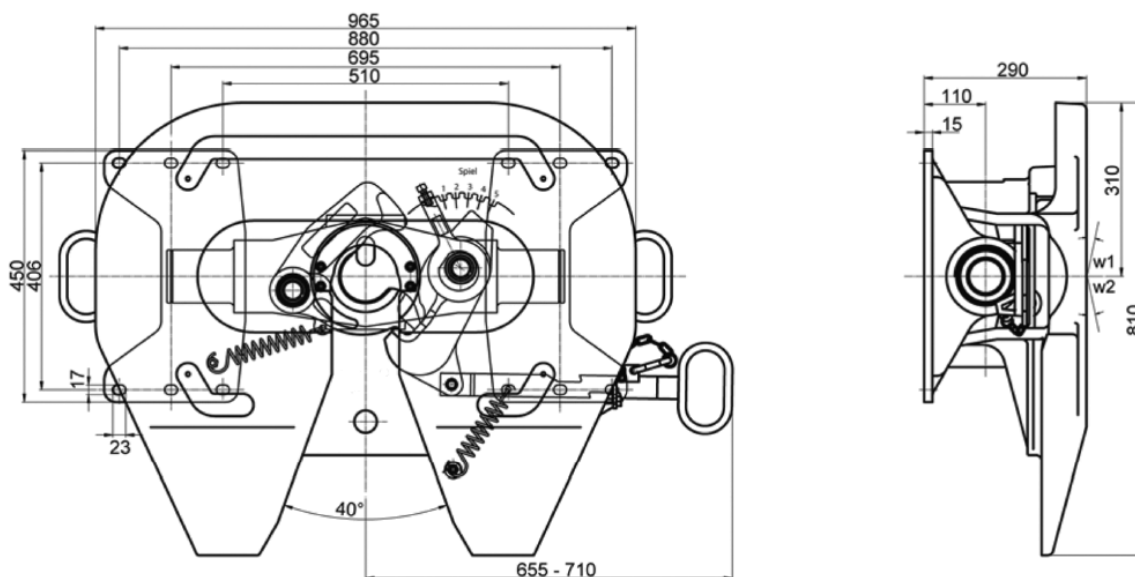


- Conversion from 2" to 3½" and vice versa possible
  - Conversion kit from 3½" to 2": 662 101 704
  - Conversion kit from 2" to 3½": 662 101 705
- Suitable for off-road use with double oscillation
- Suitable for steering wedge applications
- **PLEASE NOTE:** not authorized for road transport

## TECHNICAL DATA

Type	Lock size [Inch]	Overall height [mm]	Imposed load [t]	D-value [kN]	Weight [kg]	Angle of inclination degree (w1/w2)	Indination degree	Order no.
<b>2"</b>								
SK-HD 38.36.2 G	2"	290	23	162	272	17° / 14°	6,5	<b>662111089</b>
<b>3,5"</b>								
SK-HD 38.36 G	3.5"	290	36	260	272	17° / 14°	6,5	<b>662111088</b>

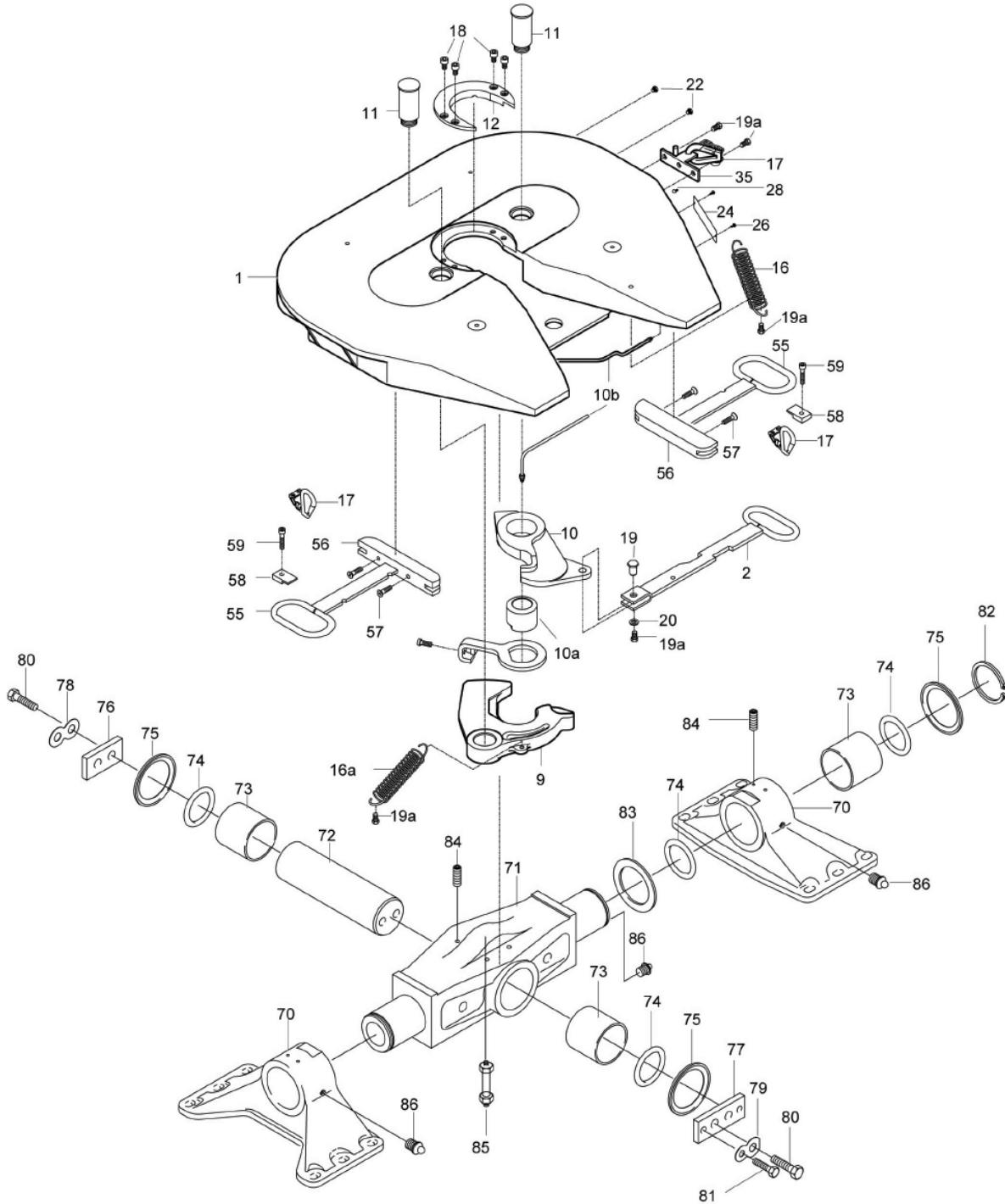
## DIMENSIONS



Mounting hole pattern according to DIN 74081  
 Subject to modifications in dimensions and design

# SPARE PARTS SK-HD 38.36 G

FROM SERIAL NUMBER 40001301



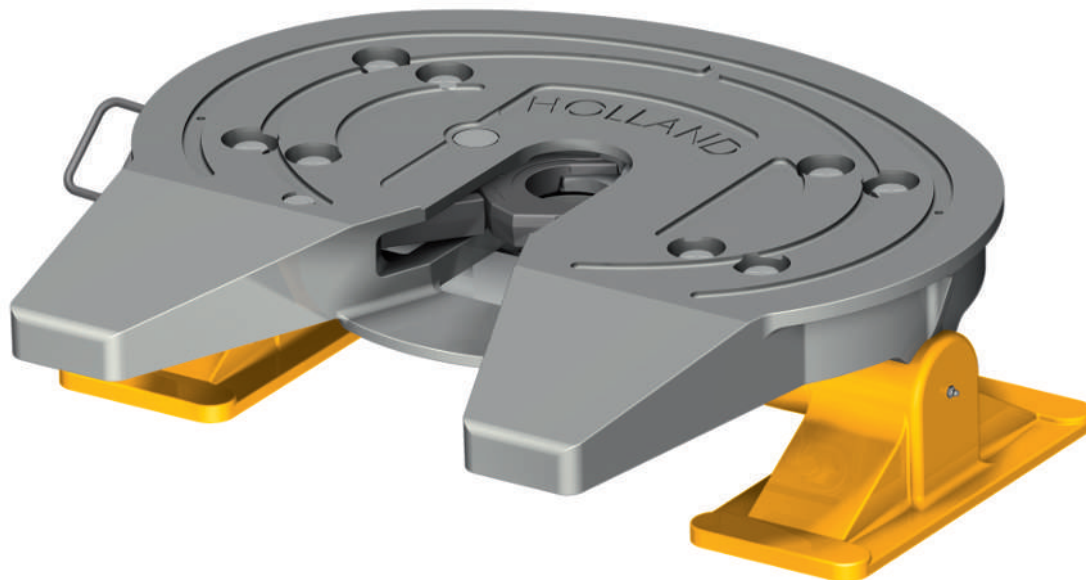
UP TO SERIAL NUMBER 40001300 PLEASE ASK FOR SPARE PARTS SEPARATELY

Please note: Also applies for serial numbers 40001055-1144 and 40001195-1216

Item	Component	Dimensions	Pcs.	Order no.
	2" Repair kit bearing (73, 74, 78, 79, 80, 81, 84, 85, 86 *)*	2", 3.5"	1	662101487
	3,5" Repair kit bearing (73, 74, 78, 79, 80, 81, 84, 85, 86 *)*	2", 3.5"	1	662101487
	Conversion kit 3.5" to 2" (9, 12, 18, 24)		1	662101704
	Conversion kit 2" to 3.5" (9, 12, 18, 24)		1	662101705
	Repair kit locking mechanism (9, 11, 12, 18)	2"	1	662101708
	Repair kit locking mechanism (9, 11, 12, 18)	3.5"	1	662101709
1	Coupling plate		1	
2	Operating handle		1	662111276
9	Coupler jaw		1	
9	Coupler jaw		1	
10	Locking hook		1	662111239
10a	Eccenter		1	662111317
10b	Lubrication tube complete	L=410	2	
11	Pin cpl.		2	
12	Wear ring	2"	1	
12	Wear ring	3.5"	1	
16	Return spring		1	662126410
16a	Return spring		1	662111130
17	Clipper with linkage		3	
18	Cylinder screw	M12x14	4	
19	Bolt		1	662126449
19a	Screw	M10x20	2	659112359
20	U-washer	Ø10	1	662126175
22	Grease nipple	M8x1	2	662126224
24	Identification plate		1	
26	Groove pin	3x8	2	
28	Rivet		1	
35	Safety flange		1	662111281
55	Operating handle		2	
56	Stopper		2	
57	Countersink screw	M10x20	4	
58	Lock plate		2	
59	Cylinder screw	M10x25	2	
70	Mounting bracket		2	662111299
71	Rocker		1	662111303
72	Bearing bolt		1	662111306
73	Bearing bush		4	
74	O-ring		6	
75	Distance washer		4	659122075
76	Plate		1	662111304
77	Clamping sleeve		1	662111307
78	Locking plate	2"	1	
79	Locking plate	3.5"	2	
80	Screw	M20x45	4	
81	Screw	M14x30	2	
82	Circlip		2	662111302
83	Distance washer		2	659122074
84	Grooved cylindrical pin		8	
85	Extension		1	
86	Grease nipple	M8x1	6	

\* Repair kit 2" and 3.5" identical

## FW0100



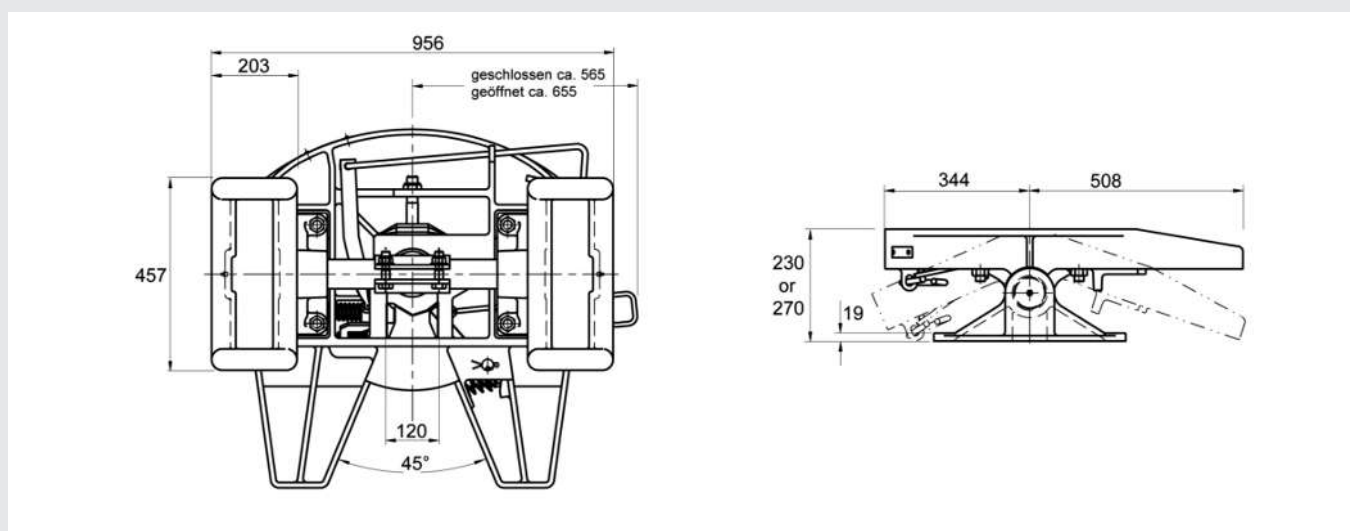
- 3½" extra heavy duty fifth wheel manufactured from high strength cast steel, designed for the most demanding applications
- Minimum operating temperature -40° C
- Suitable for rear axle steering systems
- **PLEASE NOTE:** not authorized for road transport



## TECHNICAL DATA

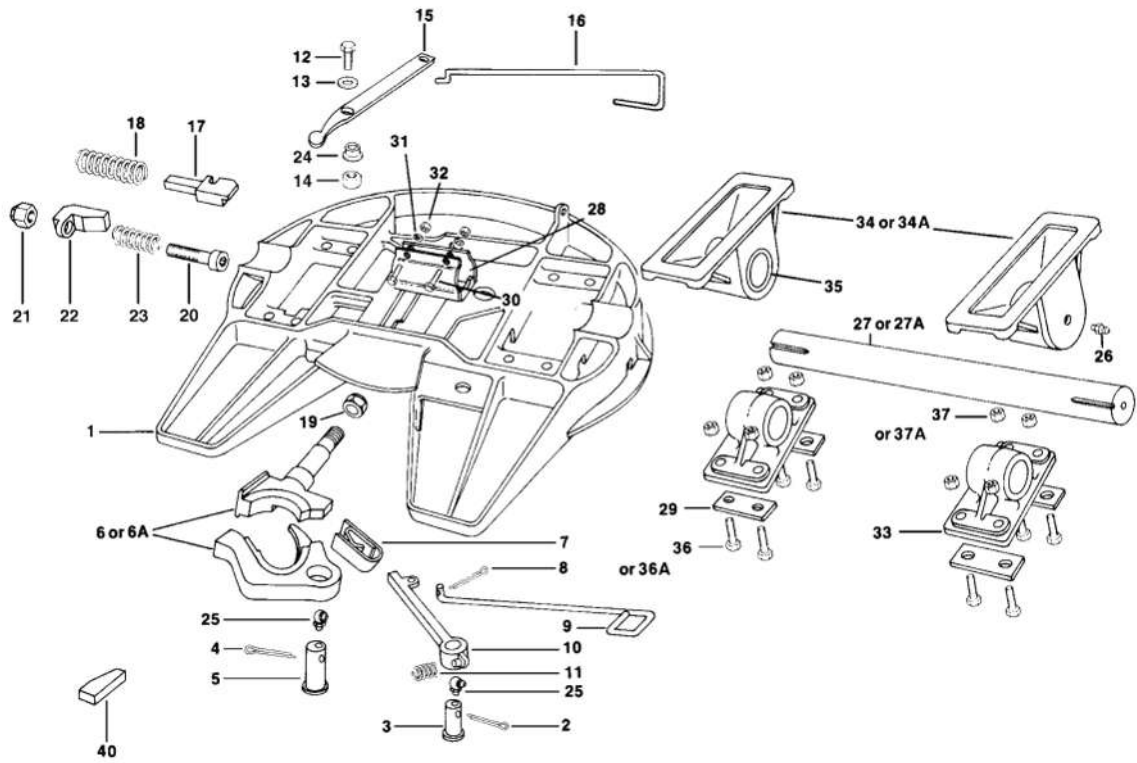
Type	Lock size [Inch]	Overall height [mm]	Imposed load [t]	D-value [kN]	Weight [kg]	Order no.
FW0100-03	3.5"	Coupling plate	45	240	159	<b>FW0100-03</b>
FW0100-O	3.5"	270	45	240	272	<b>FW0100-O</b>
FW0100-OC	3.5"	230	45	240	268	<b>FW0100-OC</b>

## DIMENSIONS



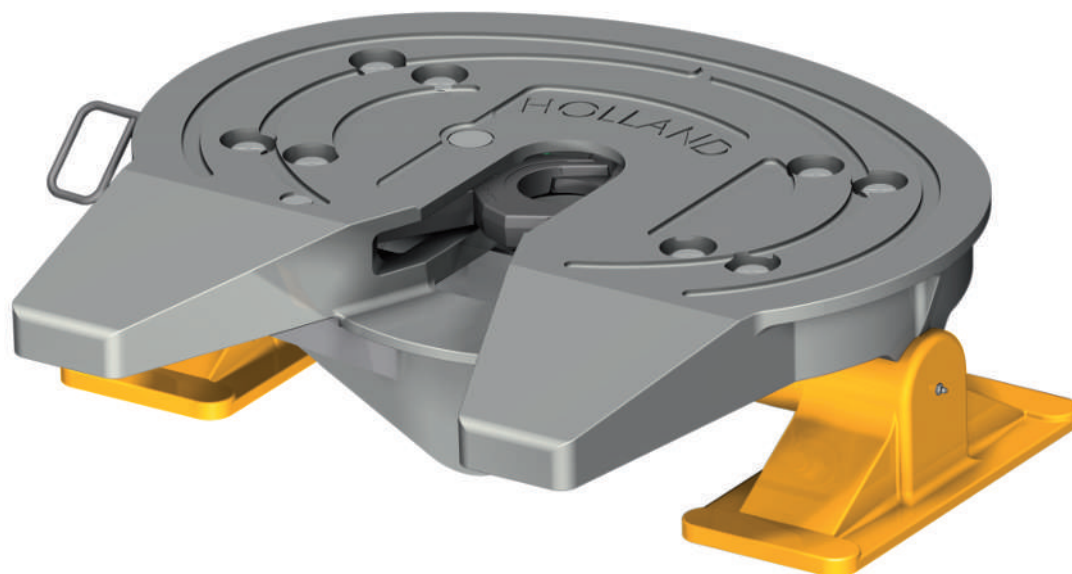
Production of the fifth-wheel according to DIN 74081 and DIN 74084

# SPARE PARTS FW0100



Item	Component	Dimensions	Pcs.	Order no.
	Repair kit fifth wheel cpl. (2-24, 40)	2"	1	<b>RK-65012</b>
	Repair kit fifth wheel cpl. (2-6A, 7-24, 40)	3.5"	1	<b>RK-65013</b>
	Repair kit locking mechanism (4-6, 10, 25, 40)	2"	1	<b>RK-65024</b>
	Repair kit locking mechanism (4-6A, 10, 25, 40)	3.5"	1	<b>RK-65024-1</b>
	Coupling plate	2"	1	<b>FW0100-02</b>
	Coupling plate	3.5"	1	<b>FW0100-03</b>
1	Fifth wheel top plate 2"		1	
1A	Fifth wheel top plate 3.5"		1	
2	Cotter pin	1/4"x2"	1	
3	Lock pin		1	
4	Cotter pin	1/4"x2,5"	1	
5	Lock pin		2	
6	Lock kit 2"		1	
6A	Lock kit 3.5"		1	
7	Spring		1	
8	Cotter pin	1/8"x1"	1	
9	Operating handle with saver		1	
10	Secondary lock arm		1	
11	Spring		1	
12	Hex-screw	1/2 - 20x1,75"	1	
13	Washer	1/2"	1	
14	Safety flange	1/2"-20"	1	
15	Lever, Release		1	
16	Operating handle		1	
17	Repair kit locking mechanism cpl.		1	
18	Spring		2	
19	Locknut	1"-14	1	
20	Hex socket head screw		1	
21	Nut	5/8"-11	1	
22	Adjusting Block		1	
23	Spring		1	
24	Bush		1	
25	Grease nipple	45°	2	
26	Grease nipple		2	
27	Axle		1	
28	Claming piece		2	
29	Spacer		4	
30	Screw	3/4"-16x3"	2	
31	Washer		2	
32	Nut	3/4"-16	2	
33	Axle bearing		2	
34	Mounting bracket		2	
34A	Mounting bracket		2	
35	Bush		2	
36	Screw	7/8"-14x4"	8	
36A	Screw	1"-8x4"	8	
37	Safety flange	7/8"-14	8	
37A	Safety flange	1"-8	8	
40	Adjusting Block		1	

## FW0165

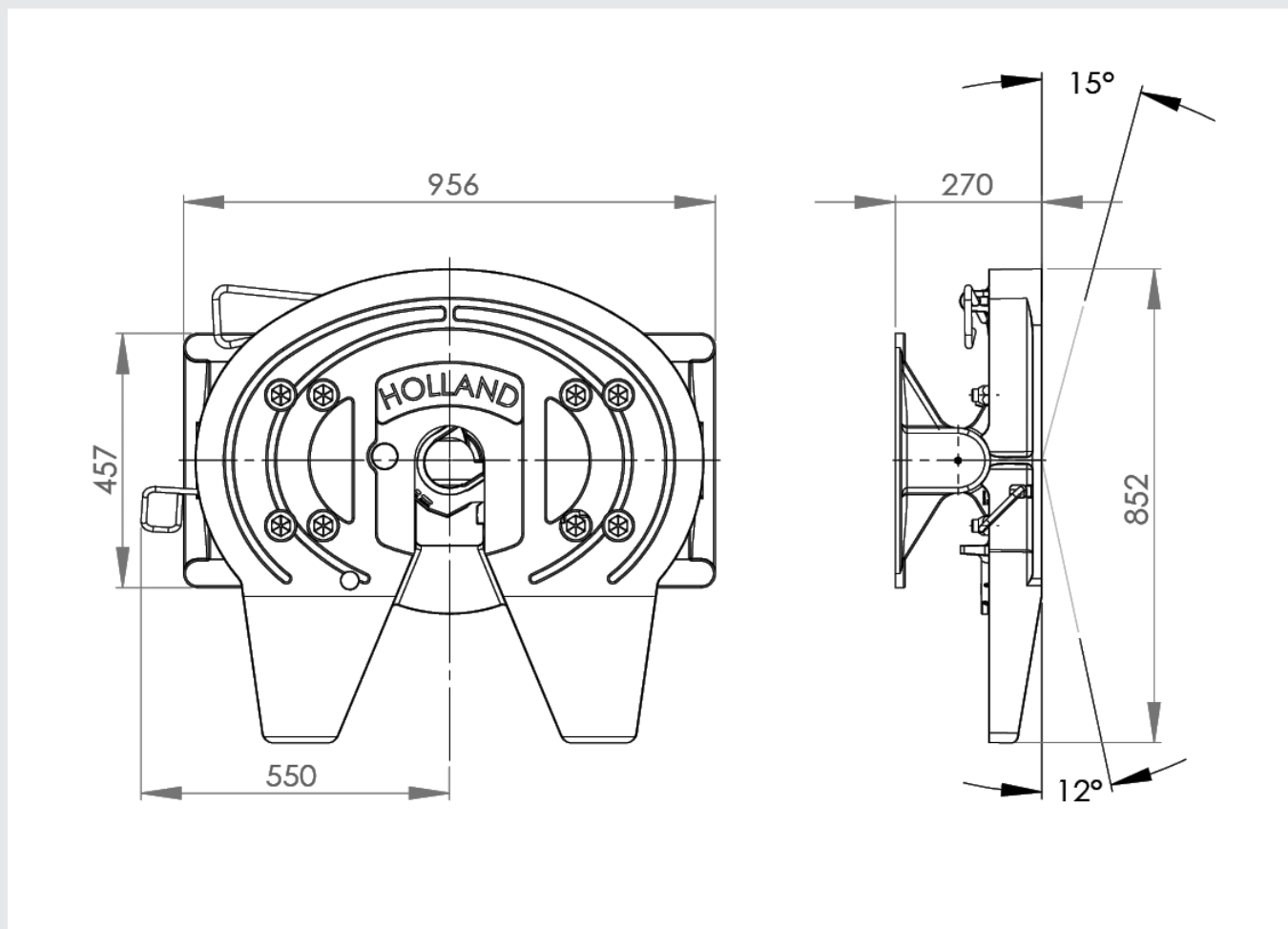


- Cast steel
- **PLEASE NOTE:** not authorized for road transport

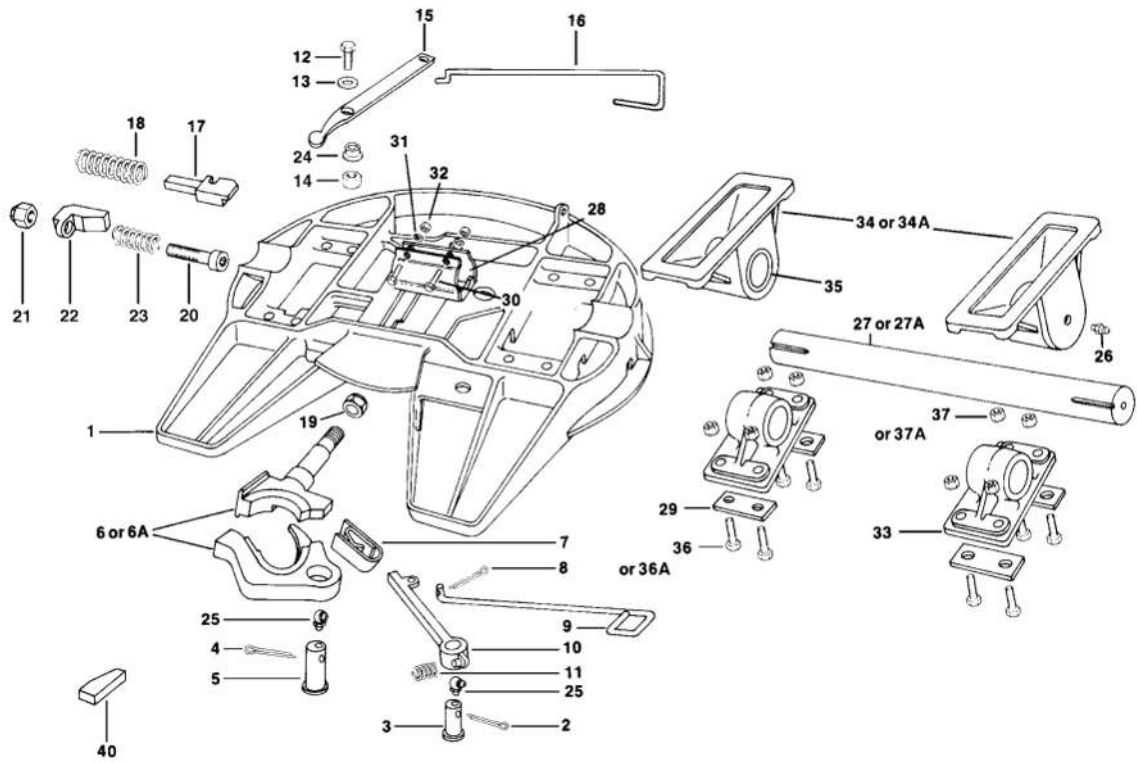
## TECHNICAL DATA

Type	Lock size [Inch]	Overall height [mm]	Imposed load [t]	D-value [kN]	Weight [kg]	Order no.
FW0165-0091	3.5"	270	74	240	302	FW0165-0091

## DIMENSIONS

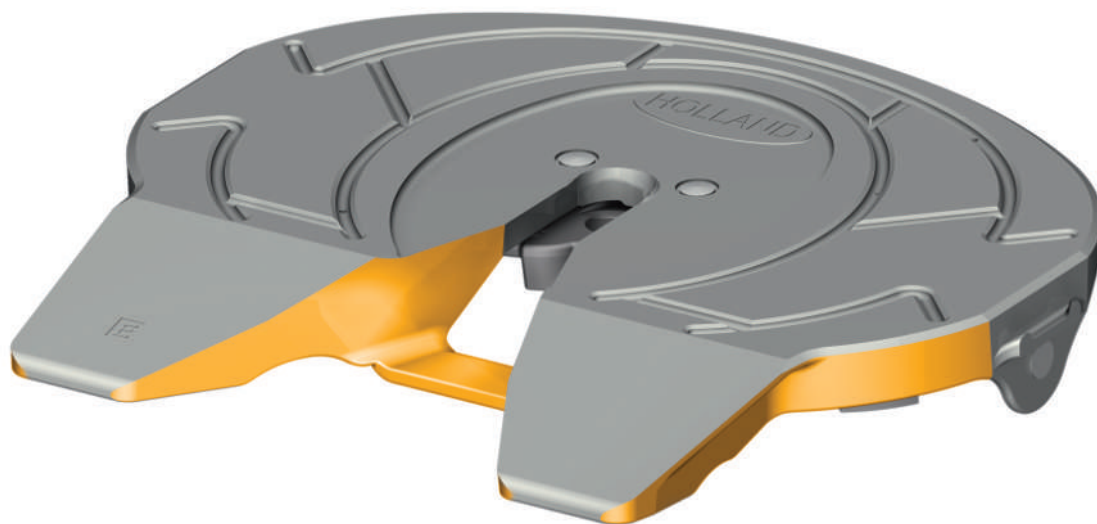


# SPARE PARTS FW0165



Item	Component	Dimensions	Serial no.	Pcs.	Order no.
	Repair kit locking mechanism 2" (4-6, 10, 25, 40)	2"		1	<b>RK-65024</b>
	Repair kit locking mechanism 3.5" (4-6A, 10, 25, 40)	3.5"		1	<b>RK-65024-1</b>
	Repair kit fifth wheel cpl. 2" (2-24, 40)	2"		1	<b>RK-65012</b>
	Repair kit fifth wheel cpl. 3.5" (2-6A, 7-24, 40)	3.5"		1	<b>RK-65013</b>
1	Fifth wheel top plate			1	
2	Cotter pin	1/4"x2"		1	
3	Lock pin			1	
4	Cotter pin	1/4"x2,5"		1	
5	Lock pin			1	
6	Lock kit 2"			1	
6A	Lock kit 3.5"			1	
7	Spring			1	
8	Cotter pin	1/8"x1"		1	
9	Operating handle with saver			1	
10	Secondary lock arm			1	
11	Spring			1	
12	Hex-screw	1/2 - 20x1,75"		1	
13	Washer	1/2"		1	
14	Safety flange	1/2"-20"		1	
15	Lever, Release			1	
16	Operating handle			1	
17	Repair kit locking mechanism cpl.			1	
18	Spring			1	
19	Locknut	1"-14		1	
20	Hex socket head screw			1	
21	Nut	5/8"-11		1	
22	Adjusting Block			1	
23	Spring			1	
24	Bush			1	
25	Grease nipple	45°		2	
26	Grease nipple			2	
27	Axle			1	
28	Claming piece			2	
29	Spacer			4	
30	Screw	3/4"-16x3"		2	
31	Washer			2	
32	Nut	3/4"-16		2	
33	Axle bearing			2	
34	Mounting bracket 270 mm			2	
35	Bush			2	
36	Screw	7/8"-14x4"		8	
36A	Screw	1"-8x4"		8	
37	Safety flange	7/8"-14		8	
37A	Safety flange	1"-8		8	
40	Adjusting Block			1	

## FW3510-TR



- Suitable for steering wedge applications
- Not authorized for road transport, only with manual secondary lock
- ECE type approval no.: E11 55R-01 6172



## TECHNICAL DATA

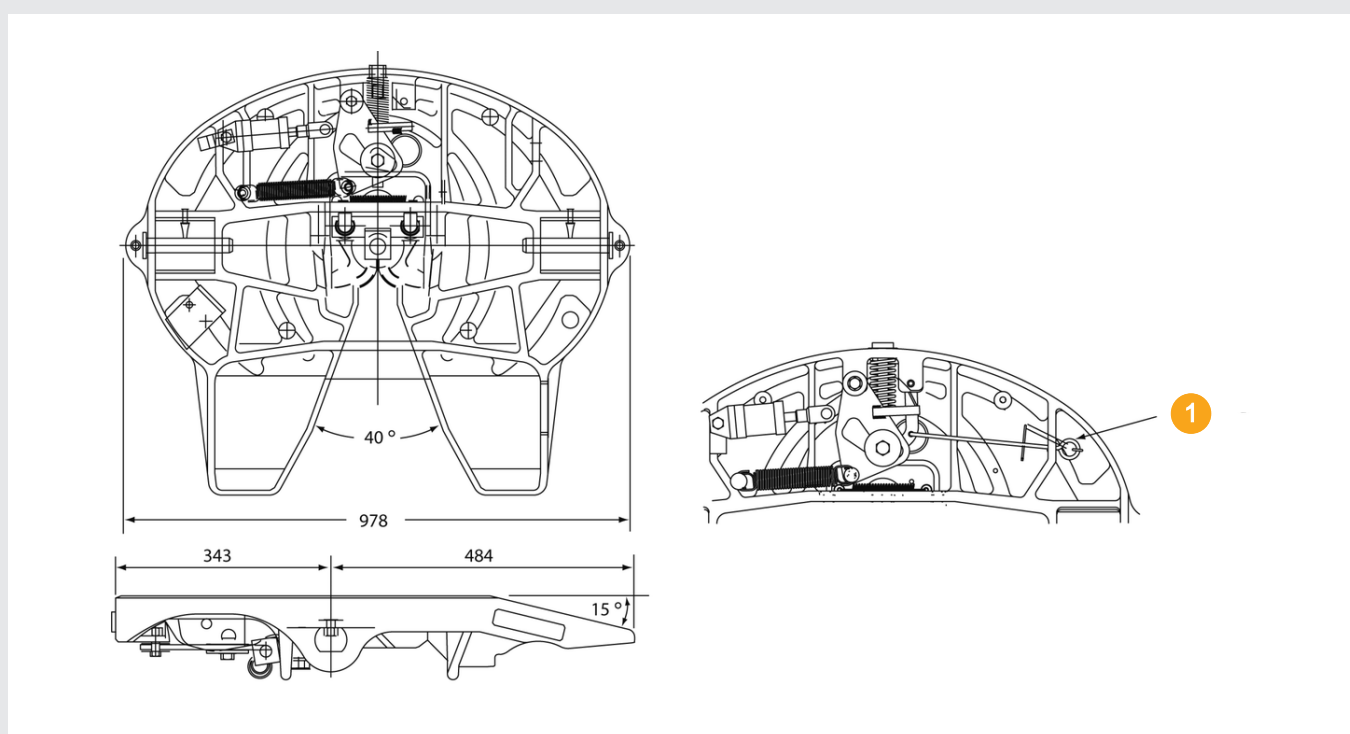
Type	D-value [kN]	Imposed load [t]	Weight [kg]	Order no.
FW3510-TR	-	36	120	FW3510-TR

- The load limits given are valid for operation with speed limited to 35 km/h maximum and for use on well maintained roadways and yard

Type	D-value [kN]	Imposed load [t]	Weight [kg]	Order no.
FW3510-TR-EG	175	23	121	FW3510-TR-EG

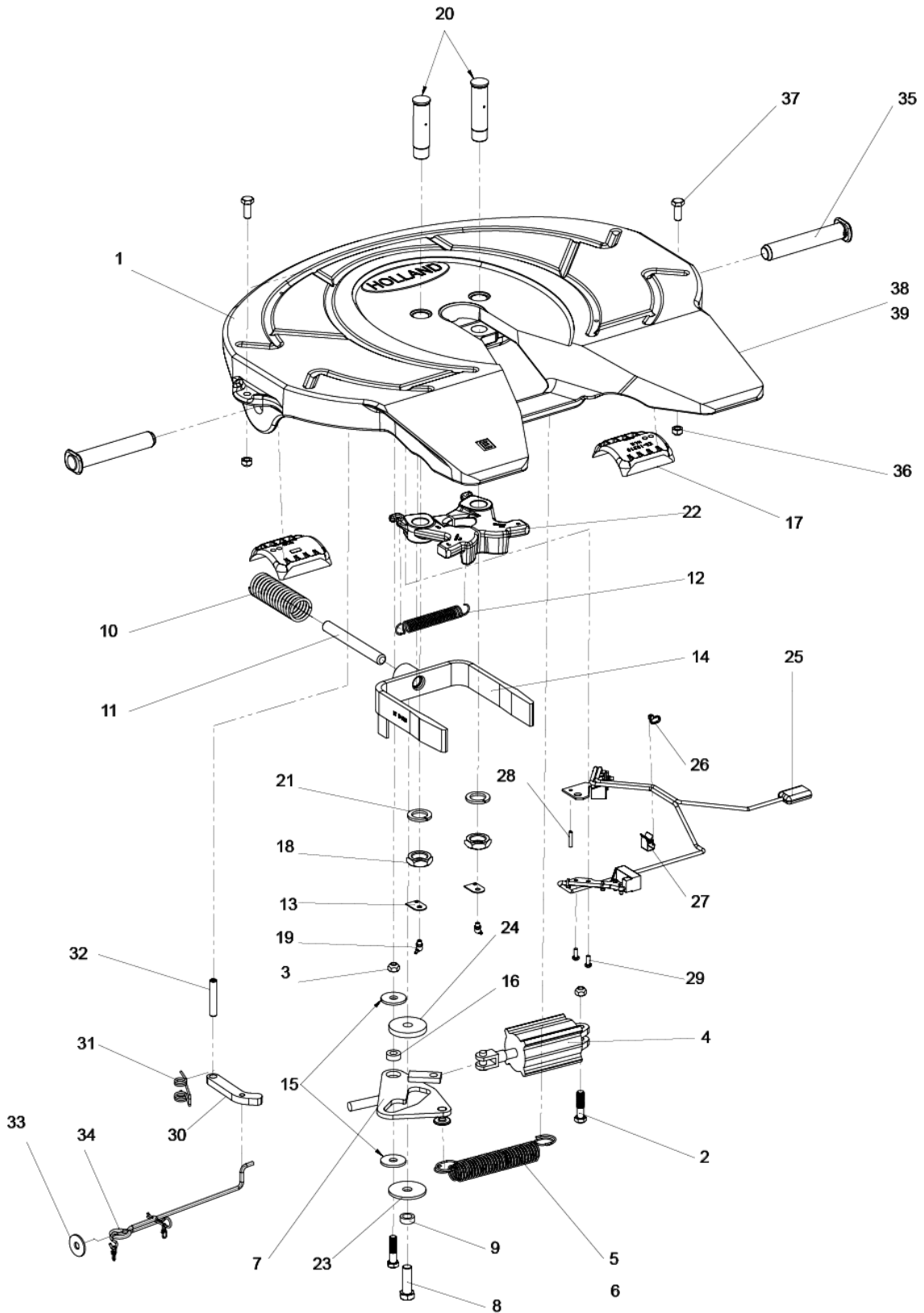
- Specification with optional manual secondary lock for operation on public roads

## DIMENSIONS



1 Manual secondary lock

# SPARE PARTS FW3510-TR



Item	Component	Dimensions	Pcs.	Order no.
	Repair kit fifth wheel cpl. (2-3, 5-16, 18, 24)			<b>RK-3510-TR-2</b>
	Repair kit fifth wheel cpl. (2-16, 18-24)			<b>RK-3510-TR</b>
	Repair kit locking mechanism (13, 18-22)			<b>RS-91103</b>
	Repair kit sensor (25-29)			<b>RS-91118</b>
	Repair kit bearing (17, 35-37)			<b>RS-91139</b>
	Lock bar (30-34)			<b>RS-91141</b>
1	Coupling plate without mounting bracket		1	
2	Screw	M12x50	2	
3	Safety flange	M12	2	
4	Pneumatic cylinder		1	
5	Return spring - outside		1	
6	Return spring - inside		1	
7	Cam plate		1	
8	Screw	M12x50	1	
9	Cam roller		1	
10	Spring		1	
11	Yoke shaft		1	
12	Spring		1	
13	Holder for cable tape		2	
14	Yoke		1	
15	Washer		2	
16	Bush		1	
17	Pocket Insert		2	
18	Nut	M27	2	
19	Grease nipple	45° - M8x1	2	
20	Lock pin		2	
21	Spring washer	M27	1	
22	Lock jaw kit		1	
23	Washer (Knorr)		1	
24	Distance washer		1	
25	Sensor	351 - 24V	1	
26	Cable clip		1	
27	Holder for sensor		1	
28	Bolt		1	
29	Screw	M6x16	2	
30	Lock bar		1	
31	Spring, Torsion		1	
32	Spiral pin		1	
33	Washer		1	
34	Zuggriff-Manuelle Sicherung		1	
35	Bearing bolt		2	
36	Safety flange	M12	2	
37	Screw	M12x30	2	
38	Identification plate			

## FW0E70-T



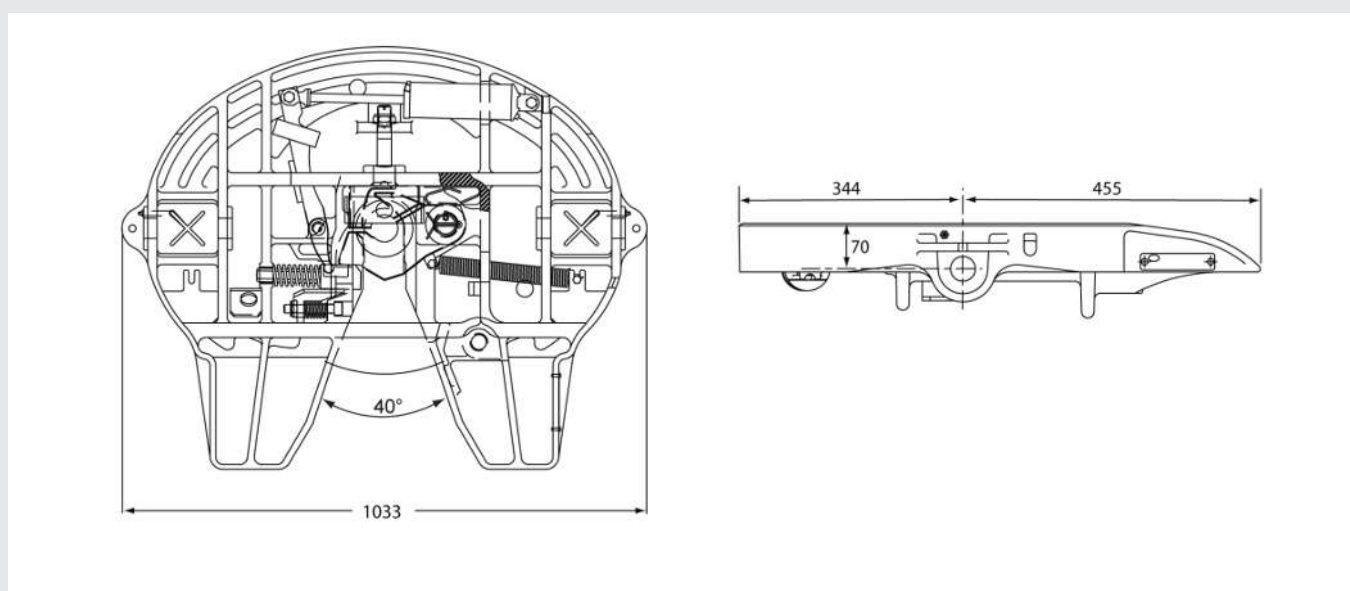
- High strength cast steel construction – permitted operating temperature to  $-40^{\circ}\text{C}$
- Air operated lock release mechanism
- Gross weights over 120,000 kg in certain applications allowed
- **PLEASE NOTE:** not authorized for road transport

## TECHNICAL DATA

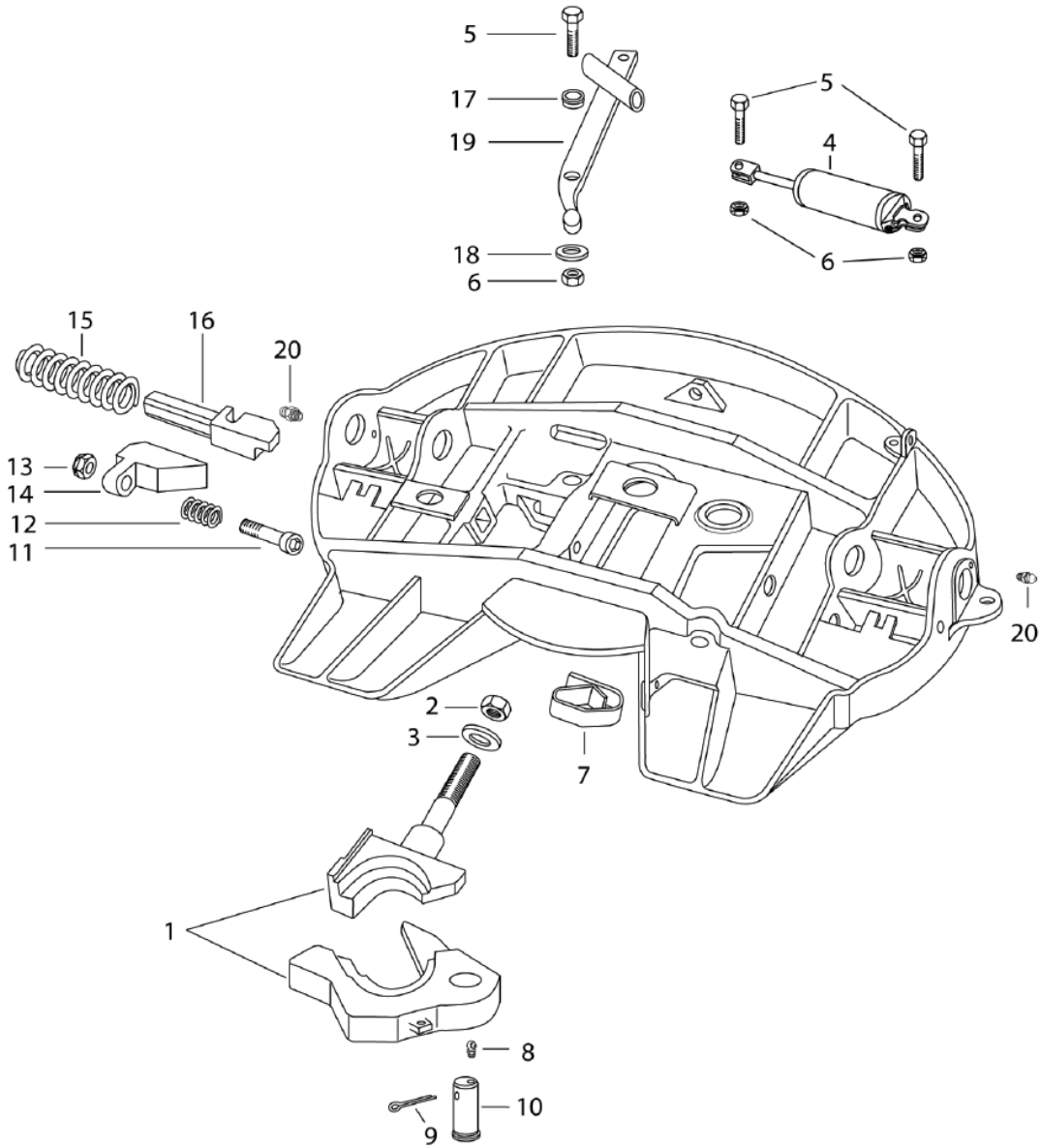
Type	Lock size [Inch]	Imposed load [t]	D-value [kN]	Weight [kg]	Order no.
<b>2"</b>					
FW0E70-02-T	2	45	165	148	FW0E70-02-T
<b>3,5"</b>					
FW0E70-03-T	3.5	45	240	148	FW0E70-03-T

- The load limits given are valid for operation with speed limited to 35 km/h maximum and for use on well maintained road ways and yards within distribution depots and dockyard areas

## DIMENSIONS



# SPARE PARTS FW0E70-T



Item	Component	Dimensions	Pcs.	Order no.
1	Locking kit king pin 2"		1	XA-FW-104-D-T-KTL
	Locking kit king pin 3.5"		1	XA-FW-104-03-T-KTL
2	Locknut	1"-14	1	
3	Sprinh washer		1	XB-10327
4	Air cylinder		1	XA-2524-R-2
5	Hex-screw	1/2 - 20x1,75"	3	
6	Safety flange	1/2"-20"	3	
7	Spring		1	
8	Grease nipple	90°	1	XB-0769
9	Cotter pin	1/4"x2,5"	1	
10	Lock pin		1	XA-FW108-D
11	Hex socket head screw	5/8"-11x4"	1	XB-09407
12	Spring		1	
13	Nut	5/8"-11	1	
14	Adjusting Block		1	XD-3123-1-KTL
15	Spring		1	
16	Locking lever		1	XA-1104-1
17	Bush		1	
18	Washer	1/2"	1	
19	Lever, Release		1	XA-600200-KTL
20	Grease nipple		2	

# NOTES

---

---

---

---

---

---

---

---

---

---

---

---

---

---

---

---

---

---

---

---

---

---

---

---

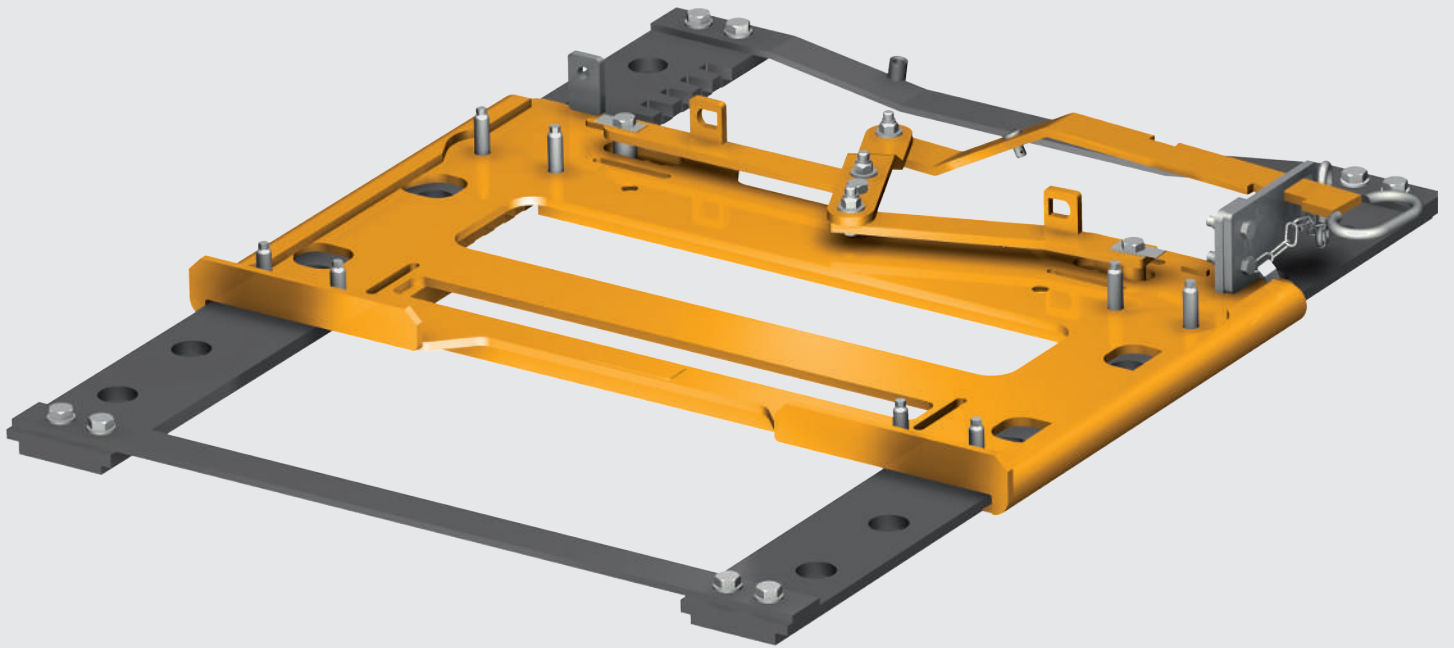
---

---





SAF-HOLLAND Group



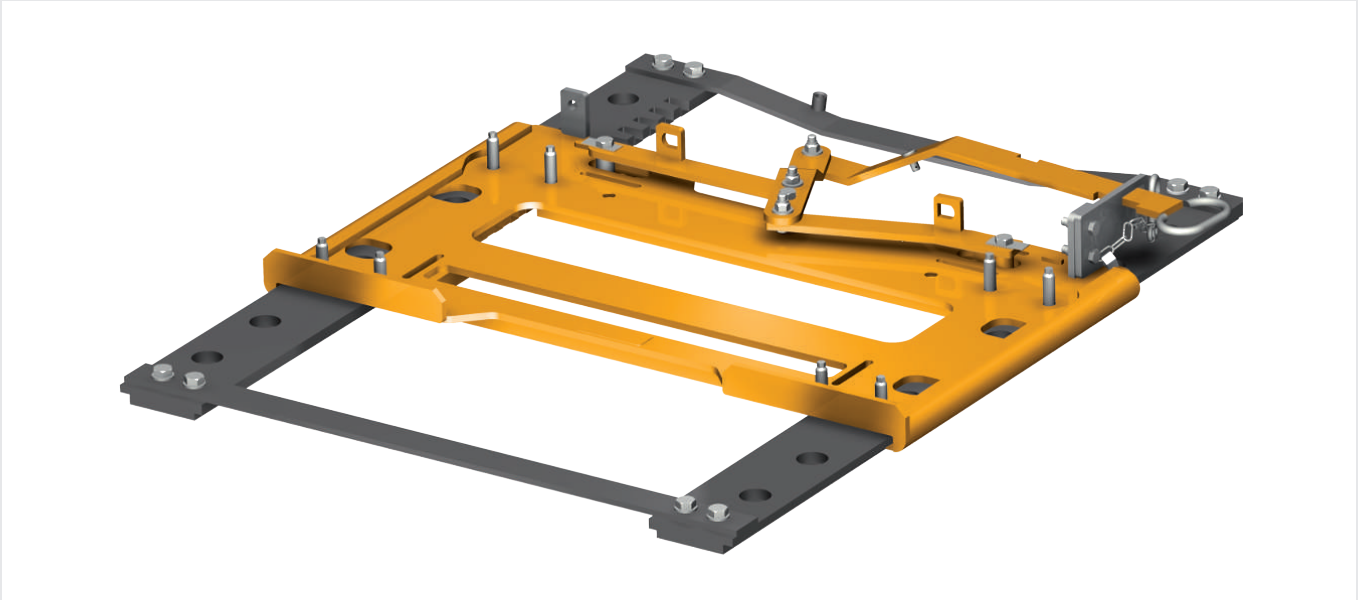
# SLIDERS

TO PERMISSIBLE AXLE LOADS  
AND VEHICLES LENGTHS

## SK-V 20

The slotted base rails with teeth and slotted rails are mounted directly to the supporting frame of the tractor. The carriage with the locking mechanism is designed for mounting fifth wheels with an overall height of 150 - 250 mm.

Info: SAF-HOLLAND sliders are not designed for off-road use.



### TECHNICAL DATA (MANUAL)

- Direct mounting on vehicle frame
- Imposed Load: 18 t
- D-value: 135 kN
- Overall height: 35 mm
- 14 selectable coupling points, total slider travel of 525 mm
- KTL anti-corrosion coating
- Approved for forced steering
- Mounting hole pattern according to DIN 74081, 74084 and ISO 3842

### TECHNICAL DATA (PNEUMATIC)

- Imposed Load: 18 t
- D-value: 135 kN
- Overall height 35 mm
- ECE type approval no.: E11 55R-01 5482

### ORDERING INSTRUCTIONS

- Mounting kit for fifth wheel on slider included in delivery
- Standard versions without predrilled mounting holes
- Models available drilled to specific vehicle type on request
- With conversion of lever support the operating handle height can be changed from 180 mm to 90 mm and vice versa
- Fifth wheels with overall heights of 150 mm and 185 mm are only possible with an operating handle height of 90 mm
- Further types and mounting possibilities on request

**SLIDERS SK-V 20 STANDARD (WITHOUT PREDRILLED MOUNTING HOLES)**

Type	Model	OEM	Axle configuration	Weight [kg]	Mounting width	Dimensions	Handle height	Order no.
SK-V 20	manually	-	4x2	110	780-900	1250x960	90	662204500
SK-V 20	manually	-	4x2	110	780-900	1250x960	180	662204524
SK-V 20	pneumatically	-	4 x 2	105	780-900	1250 x 960		662205500

**SLIDERS SK-V 20 (WITH PREDRILLED OEM HOLE PATTERNS)**

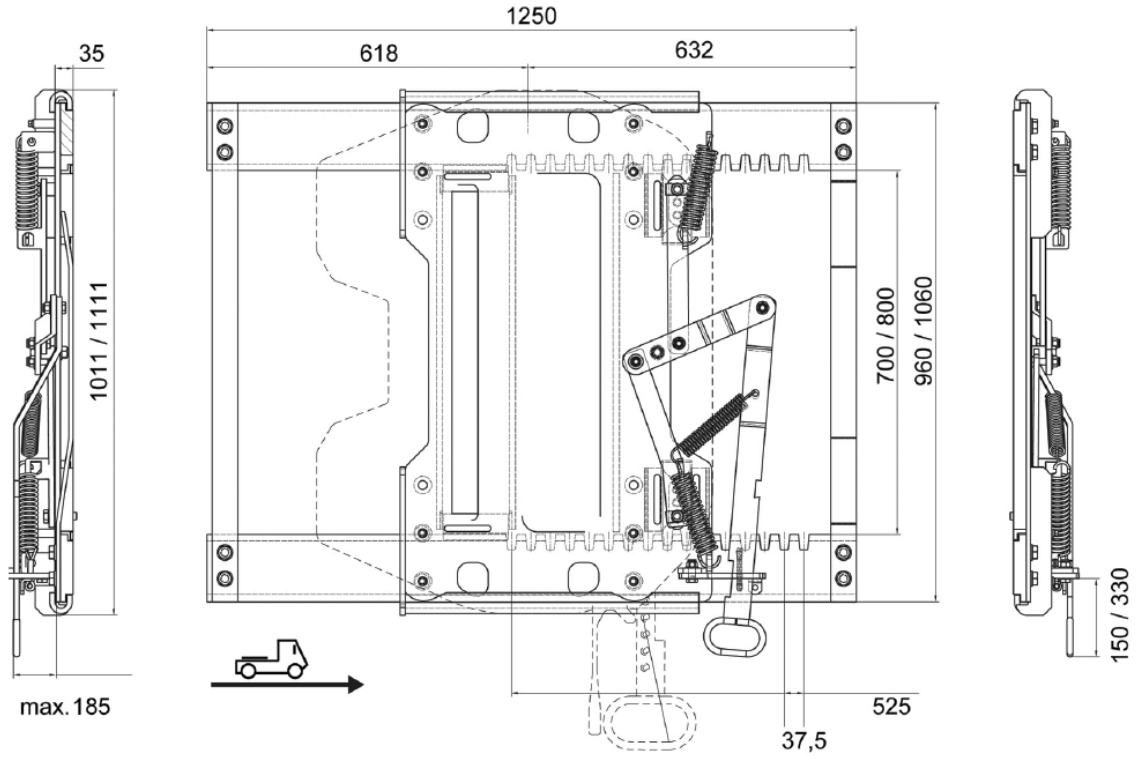
Type	Model	OEM	Axle configuration	Weight [kg]	Mounting width	Dimensions	Handle height	Order no.
SK-V 20	manually	IVECO	4x2 / 6x2	110	780-900	1250x960	90	662204501
SK-V 20	manually	IVECO	4x2 / 6x2	110	780-900	1250x960	180	662204502
SK-V 20	pneumatically	IVECO	4 x 2	105	780-900	1250 x 960		662205501
SK-V 20	manually	Mercedes Benz MP3	4x2 / 6x2	110	780-900	1250x960	90	662204503
SK-V 20	manually	Mercedes Benz MP3	4x2 / 6x2	110	780-900	1250x960	180	662204504
SK-V 20	pneumatically	Mercedes Benz MP3	4 x 2	105	780-900	1250 x 960		662205503
SK-V 20	manually	Scania / DAF	4x2	110	780-900	1250x960	90	662204507
SK-V 20	manually	Scania / DAF	4x2	110	780-900	1250x960	180	662204508
SK-V 20	pneumatically	Scania / DAF	4 x 2	105	780-900	1250 x 960		662205507
SK-V 20	manually	MAN	4x2	110	780-900	1250x960	90	662204509
SK-V 20	manually	MAN	4x2	110	780-900	1250x960	180	662204510
SK-V 20	pneumatically	MAN	4 x 2	105	780-900	1250 x 960		662205509
SK-V 20	manually	Scania	6x2	110	780-900	1250x960	90	662204515
SK-V 20	manually	Scania	6x2	110	780-900	1250x960	180	662204516
SK-V 20	pneumatically	Scania	6 x 2	105	780-900	1250 x 960		662205515
SK-V 20	manually	MAN	6x2	110	780-900	1250x960	90	662204517
SK-V 20	manually	MAN	6x2	110	780-900	1250x960	180	662204518
SK-V 20	pneumatically	MAN	6 x 2	105	780-900	1250 x 960		662205517
SK-V 20	manually	Volvo	4x2 / 6x2	136	930	1250x1060	90	662204519
SK-V 20	manually	Volvo	4x2 / 6x2	136	930	1250x1060	180	662204521
SK-V 20	pneumatically	Volvo	4 x 2	131	930	1250 x 1060		662205519
SK-V 20	manually	Volvo (light) / Renault *	4x2 / 6x2	129	930	1250x1060	90	662204520
SK-V 20	manually	Volvo (light) / Renault *	4x2 / 6x2	129	930	1250x1060	180	662204522
SK-V 20	pneumatically	Volvo (light) / Renault *	4 x 2	124	930	1250 x 1060		662205520
SK-V 20	manually	AU+NZ / Mercedes Benz MP4	4x2 / 6x2	113	952,6	1250 x 1060	90	662206401
SK-V 20	manually	AU+NZ / Mercedes Benz MP4	4x2 / 6x2	113	952,6	1250 x 1060	180	662206402
SK-V 20	pneumatically	AU+NZ / Mercedes Benz MP4	4 x 2	124	952,6	1250 x 1060		662206403

\* Volvo: mounting of the versions only on auxiliary frames 11 to 50 mm above the vehicle frame

Volvo light: mounting of the versions only on auxiliary frames 0 to 10 mm above the vehicle frame

For 6 x 2 vehicles, we recommend you always call by telephone to confirm the installation height above the vehicle frame before ordering.

## DIMENSIONS



## FITTING INSTRUCTIONS

SAF-HOLLAND sliders are type approved. Modifications on the slider exclude warranty claims, the liability for defects and cause also the expiration of the type approval.

We recommend you to verify the appropriate installation of the slider SK-V 20 by an authorised expert.

Please take note of the following points when installing sliders:

The slider may only be mounted on the vehicle by qualified personnel in suitable workshops.

The base rail must be rigidly attached to the frame of the tractor according to the vehicle manufacturers instructions and taking into account the forces occurring during operation.

The quantity and grade of the fasteners must adhere to the slider model and vehicle manufacturers look up table below. Incomplete attachment of the slider to the frame (e.g. leaving a fastener out) is not allowed.

The fastening elements must no obstruct the freedom of movement of the carriage.

**Load capacity specifications apply to sealed roads and transport conditions normally found in Western Europe. Please consult us if conditions differ.**

## MOUNTING KITS FOR SLIDER SK-V 20

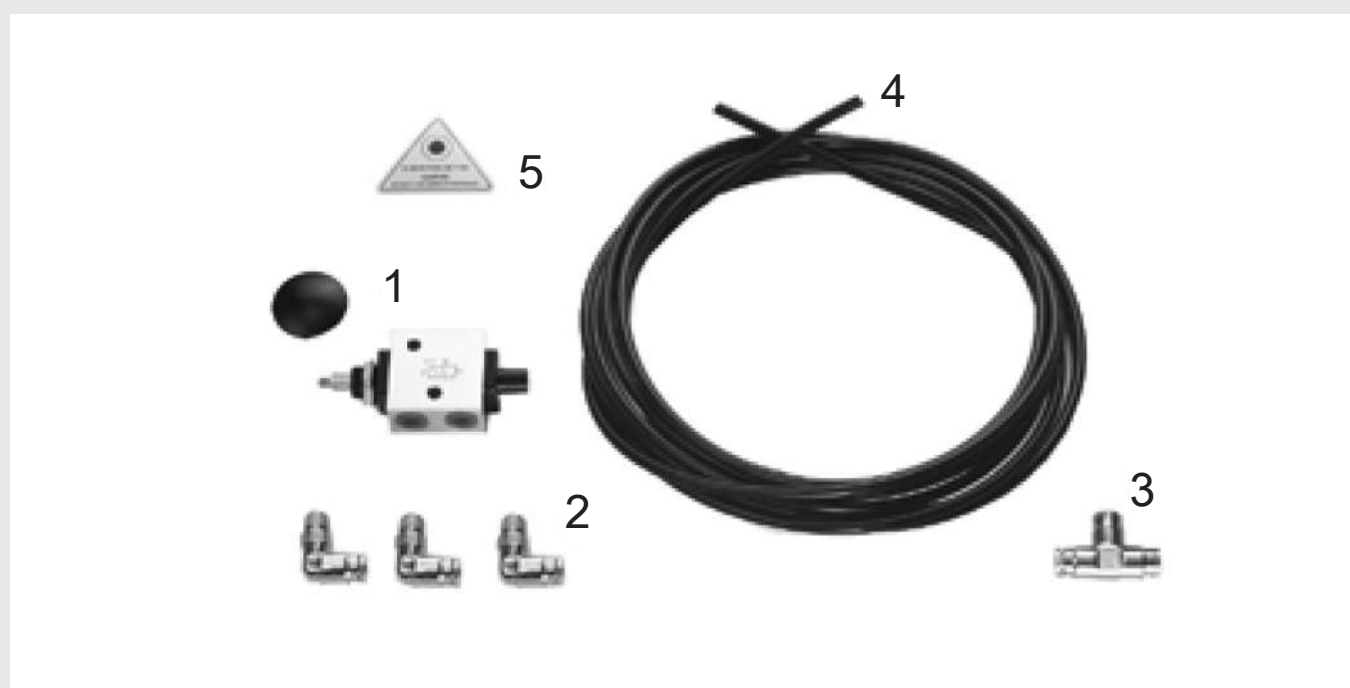
Type	Mounting	Model	Order no.
725	Mercedes Benz, Australia, New Zealand	12xM20	662101725
726	IVECO, MAN, DAF, Renault (Magnum, Premium)	14xM16	662101726
728	Volvo	20xM14	662101728
729	Scania	14xM18	662101729

## SK-V 20 (PNEUMATIC)

### INSTALLATION KIT FOR SK-V 20 SLIDER (PNEUMATIC MODEL)

The Installation kit contains all components necessary for connecting the pneumatic sliders to the pneumatic system of the tractor

Type	Order no.
Installation kit (Air operated)	662101802



Item	Component	Dimensions	Pcs.	Order no.
1	Valves	3/2	1	659144155
2	Connector	1/8" swivel -6mm - DBV	3	659144158
3	Connector	T-piece - 6mm	1	659144159
4	Pneumatic tube	DIN 74324 - 6x1 - PHL - 10m	1	659144162
5	Sticker		1	659120421

## PNEUMATIC CONVERSION KIT FOR SK-V 20 SLIDER (PNEUMATIC MODEL)

The manually operated version of the slider SK-V 20 can be retro-fitted with a pneumatic locking mechanism. The slider does not have to be removed from the vehicle's supporting frame for retro-fitting. Retro-fitting should only be carried out by specially trained personnel.

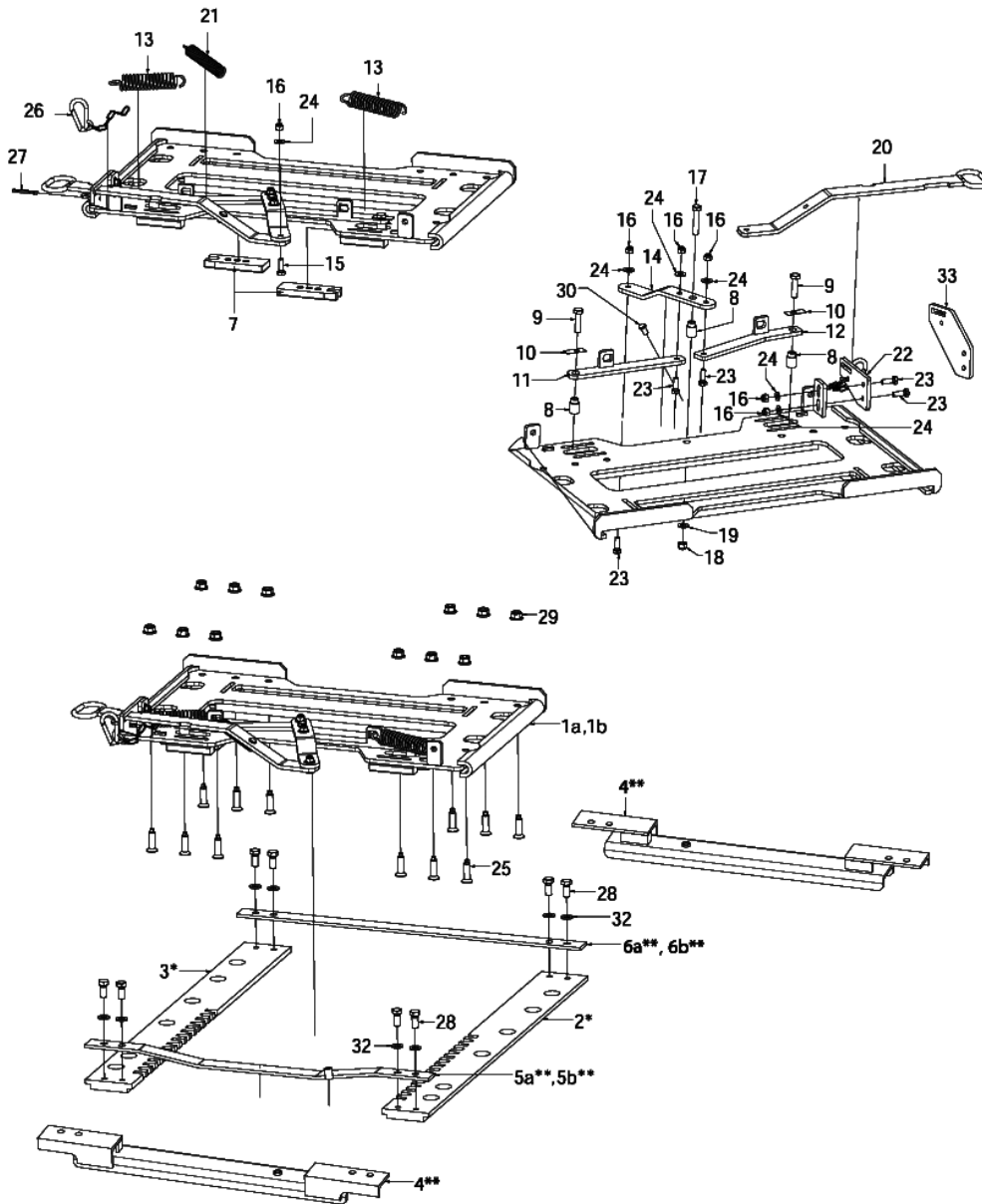
A conversion kit and an installation kit are both required for retro-fitting.

Type	Order no.
SK-V 20 Conversion kit (complete)	662101801



Item	Type	Note	Pcs.
1	Pneumatic cylinder assembly	EM-SPC/050150 Company Norgren	1
2	Connector	1/4" straight – 6 mm – self sealing thread	1
3	Connector	1/4" swivel – 6 mm – self sealing thread	2
4	Locking lever left		1
5	Locking lever right		1
6	Angle		1
7	Spacer		2
8	Hexagon socket screw	ISO 4762 – M14 x 35 – 10.9	4
9	Hex. bolt	ISO 4014 – M12 x 35 – 8.8	1
10	Washer	DIN 125 – A13	2
11	Nut	ISO 7040 – 8	1
12	Hex. bolt	DIN 6912 – M8 x 16 – 8.8	2
13	Washer	DIN 125 – A8.4	2
14	Spiraltube	DIN 74324 – 6 x 1 – PHL (Y)	1
15	Pneumatic adapter	(not shown)	1

## SPARE PARTS SK-V 20



Item	Component	Dimensions	Pcs.	Order no.
	Repair kit locking system (7, 8, 9, 10)		1	662101736
1a	Carriage	780-900	1	662205100
1b	Carriage	900+	1	662205102
2*	Slotted base rail left		1	662205014
2*	Slotted base rail left		1	662205016
2*	Slotted base rail left		1	662205018
2*	Slotted base rail left		1	662205022
2*	Slotted base rail left		1	662205024
2*	Slotted base rail left		1	662205030
2*	Slotted base rail left		1	662205033



Item	Component	Dimensions	Pcs.	Order no.
2*	Slotted base rail left		1	662206050
3*	Slotted base rail right		1	662205015
3*	Slotted base rail right		1	662205017
3*	Slotted base rail right		1	662205019
3*	Slotted base rail right		1	662205023
3*	Slotted base rail right		1	662205025
3*	Slotted base rail right		1	662205031
3*	Slotted base rail right		1	662205034
3*	Slotted base rail right		1	662206051
4**	Cross member	6x2	2	662205090
4**	Cross member	6x2	2	662205091
4**	Cross member		2	662205092
5a**	Stopper ahead	780-900	1	662205032
5b**	Stopper ahead	900+	1	662206052
6a**	Stopper back	780-900	1	662205012
6b**	Stopper back	900+	1	662206053
7	Locking finger		2	
8	Bush		3	
9	Hex-screw		2	
10	Locking plate		2	
11	crank left		1	662205039
12	crank right		1	662205040
13	Return spring		2	662205041
14	crank		1	662205042
15	Hex-screw		1	659112632
16	Hex-nut	M8	5	
17	Hex-screw		1	659112629
18	Hex-nut		1	659115514
19	Washer		1	662101472
20	Operating handle		1	662205048
21	Return spring		1	662205049
22	Lever support	90mm	1	662205050
23	Hex-screw	M12x35 - 8.8	5	659112630
24	Washer	A13	5	
25	Countersink screw		12	662205054
26	Clipper with linkage		1	
27	Cotter pin		1	662126184
28	Hex-screw		8	659112631
29	Hex-nut	M16x1,5	12	659115308
30	Bolt		1	650110217
32	U-washer	17x30	8	662126159
33	Lever support	180mm	1	662205051

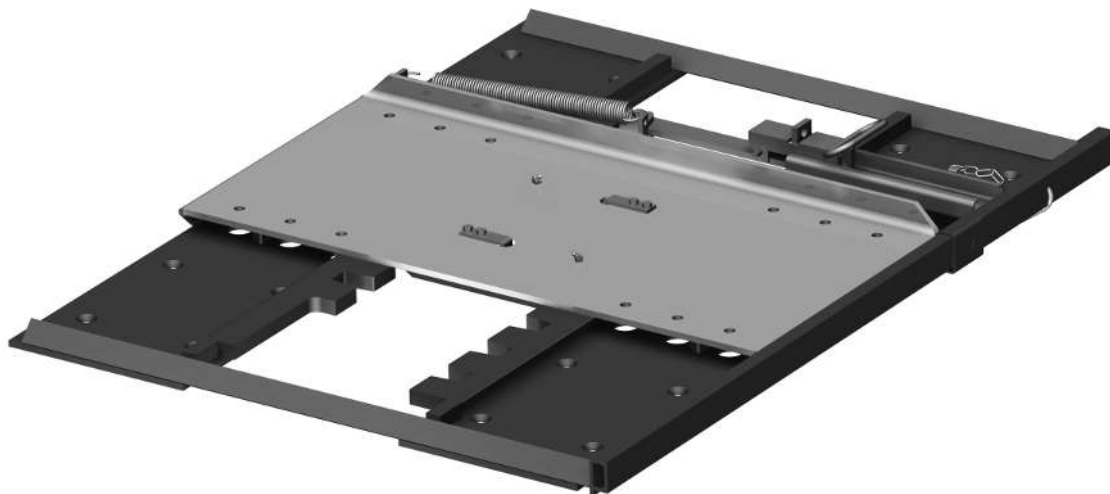
\* Items 2 and 3: Slotted base rails in the standard version without holes and only available as set (left and right models)

\*\* Scania 6x2 models: Items 5a and 6a replaced by 2 x item 4 crossbar

\*\* Volvo model: Item 5b and 6b replaced by 2 x item 4 crossbar

\*\* MAN 6x2 model: Item 5a replaced by 1 x item 4 crossbar

## SK-V 22



The slotted base rails and mechanism for pre-selecting the slider position are firmly attached to the frame of the tractor. The carriage with the control and stopping mechanism is designed for mounting fifth wheels of all standard makes with an overall height of 150 - 190 mm.

- 7 selectable coupling points
- Total slider travel of 630 mm
- Overall height: 45 mm
- Approved for semi-trailer steering systems
- KTL anti-corrosion coating
- Imposed load: 22 t
- D-value: 162.4 kN

## TECHNICAL DATA ON SLIDER

- Approved for forced steering
- Mounting hole pattern according to DIN 74081, 74084 and ISO 3842
- ECE type approval no.: E11-55R-01 0386

Type	Weight [kg]	Wide auxiliary frame [mm]	VE-Width [mm]	Order no.
SK-V 22	165	680 - max. 880	1005	<b>662204007</b>
SK-V 22	173	680 - Max. 970	1095	<b>662204008</b>

**Load capacity specifications apply to sealed roads and transport conditions normally found in Western Europe. Please consult us if conditions differ.**

We recommend using our mounting kits for mounting sliders, intermediate plates and fifth wheels, order no. 662 101 393.

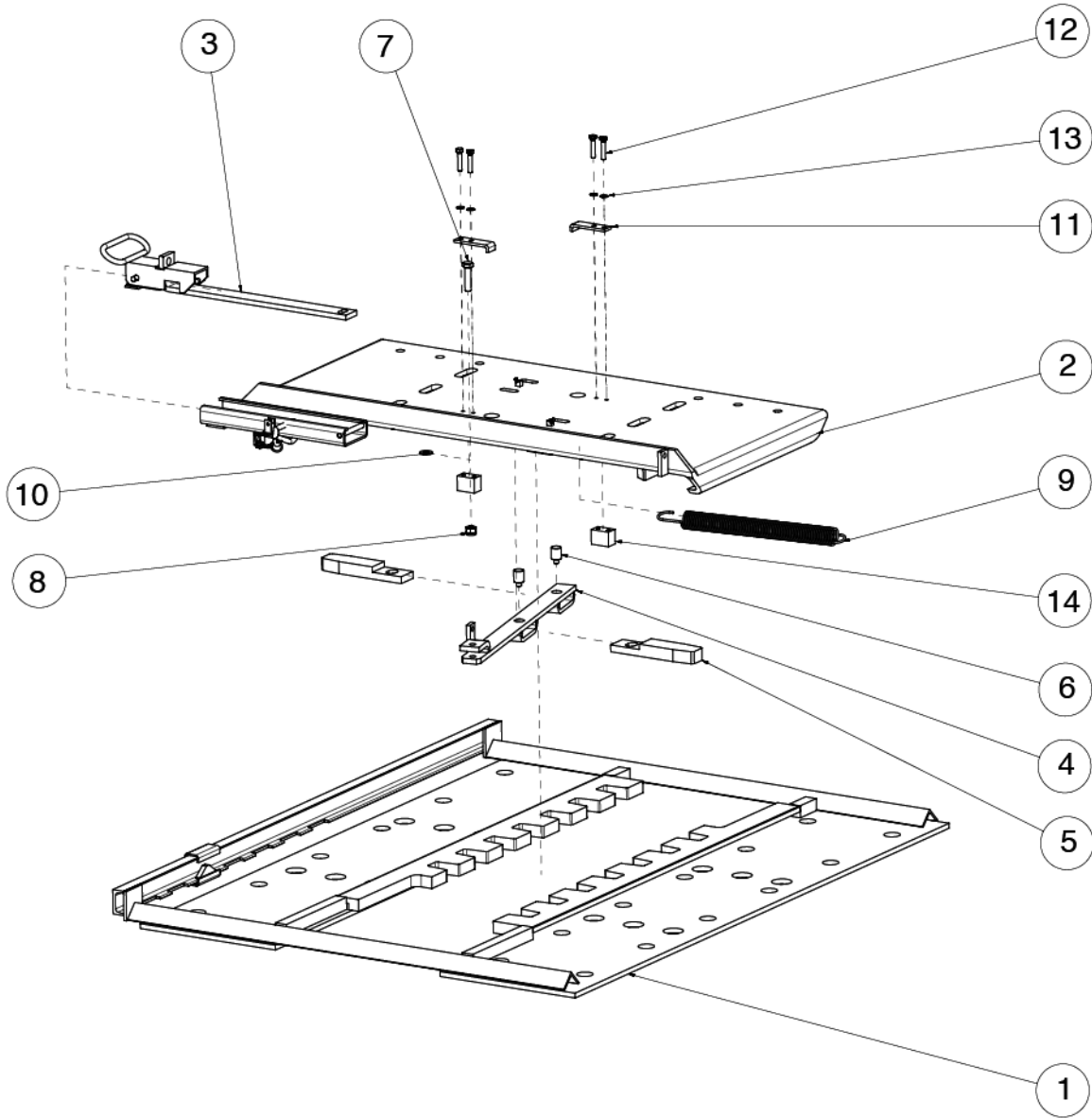
SK-V 22 was inspected and approved with the intermediate plates ZP 187 and ZP 188. The intermediate plates ZP 187 and ZP 188 have to be drilled in the corrugation grooves in order to be mounted on the vehicle frame.

## TECHNICAL DATA INTERMEDIATE PLATE

- ECE type approval no.: E11 55R-010381

Type	Dimensions [mm]	Weight [kg]	Compatible with	Order no.
ZP 188	880±2 x 1370 x 22	69	SK-V22 662204007	<b>662204188</b>
ZP 187	970±2 x 1370 x 22	76	SK-V22 662204008	<b>662204187</b>

# SPARE PARTS SK-V 22



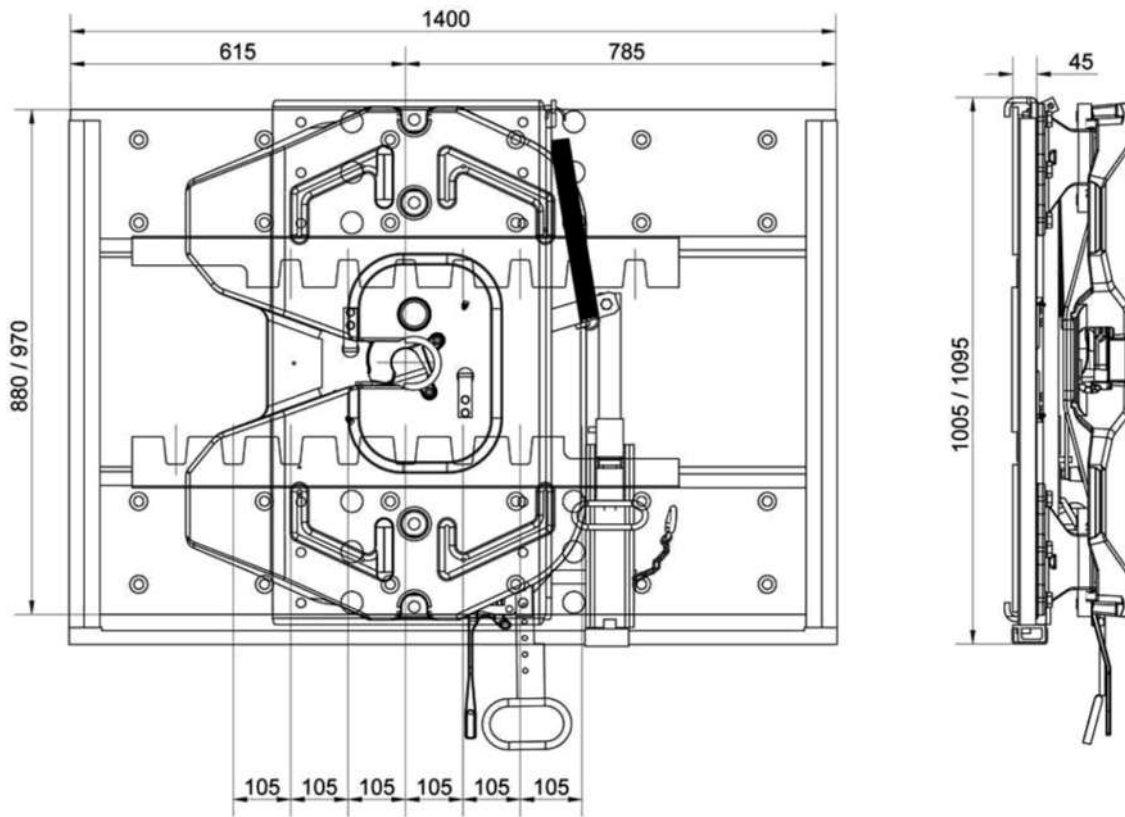
**Spare parts for SK-V22 – 662 204 007**

Item	Component	Dimensions	Pcs.	Order no.
	Repair kit locking mechanism cpl. (5, 6, 7, 8, 10, 11, 12, 13, 14)			<b>662101764</b>
	Repair kit Operating handle (007) (3, 7, 8, 9, 10)			<b>662101778</b>
1	Locking finder		1	
2	Carriage (007)		2	
3	Operating handle (007)		1	
4	crank		1	<b>662204169</b>
5	Locking hook		2	
6	Bolt		2	
7	Hex-nut	M12x50	1	
8	Hex-nut	M12x80	1	
9	Return spring		1	
10	Washer	A13	1	
11	Locking plate		2	
12	Hex-screw	SIO 4017 - M8x40	4	
13	Spring washer		4	
14	Stopper		2	

**Spare parts for SK-V22 – 662 204 008**

Item	Component	Dimensions	Pcs.	Order no.
	Repair kit locking mechanism cpl. (5, 6, 7, 8, 10, 11, 12, 13, 14)			<b>662101764</b>
	Repair kit Operating handle (008) (3, 7, 8, 9, 10)			<b>662101765</b>
1	Locking finder		1	
2	Carriage (008)		2	
3	Operating handle (008)		1	
4	crank		1	<b>662204169</b>
5	Locking hook		2	
6	Bolt		2	
7	Hex-nut	M12x50	1	
8	Hex-nut	M12x80	1	
9	Return spring		1	
10	Washer	A13	1	
11	Locking plate		2	
12	Hex-screw	SIO 4017 - M8x40	4	
13	Spring washer		4	
14	Stopper		2	

## DIMENSIONS



## FITTING INSTRUCTIONS

Sliders are type approved. Modifications on the slider exclude warranty claims, the liability for defects and cause also the expiration of the type approval.

We recommend you to verify the appropriate installation of the slider SK-V 22 by an authorised expert.

**Please take note of the following points when installing sliders:**

The slider may only be mounted on the vehicle by qualified personnel in suitable workshops.

The base rail must be rigidly attached to the frame of the tractor according to the vehicle manufacturer's instructions and taking into account the forces occurring during operation. The slider is fastened to the vehicle frame via the countersunk holes in the base plate.

The permissible vertical loads on the tractor for the different positions must be entered clearly and indelibly in the areas provided on the manufacturer's plate.

## MOUNTING KITS SK-V 22

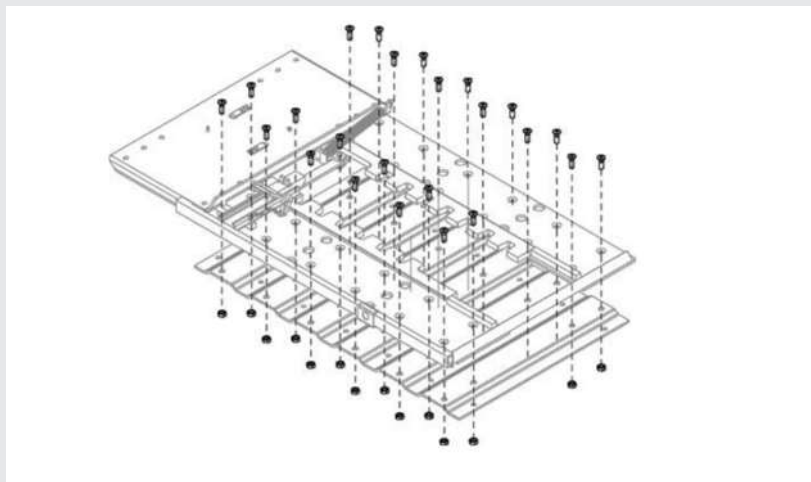
Type	Mounting	Order no.
Mounting kit 701	Slider on intermediate plate	<b>662101701</b>
Mounting kit 702	Intermediate plate on vehicle frame	<b>662101702</b>
Mounting kit 703	Fifth wheel SK-S 36.20 on slider	<b>662101703</b>
Mounting kit 325	Slider on intermediate plate and vehicle frame (consists of 701 + 702)	<b>662101325</b>
Mounting kit 393	Set for SK-S 36.20 (consists of 701 + 702 + 703)	<b>662101393</b>
Mounting kit 551	SK (3½") on FHR	<b>662101551</b>

FHR = vehicle auxiliary frame

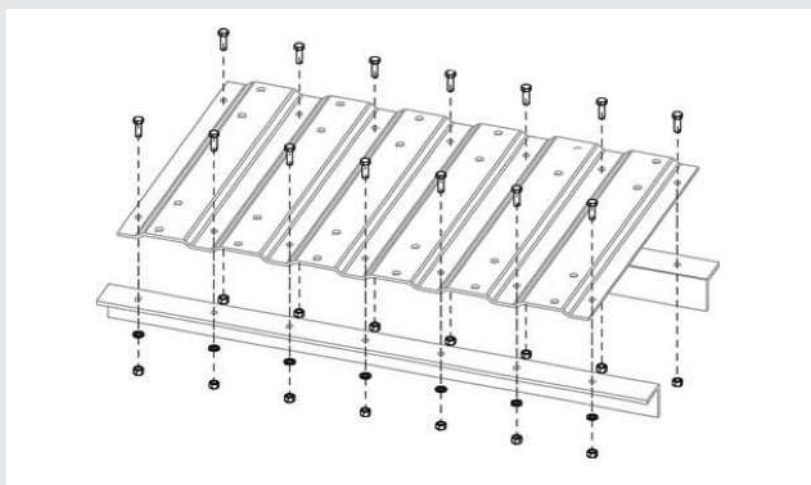
- Tightening torque for slider / intermediate plate fastening screws: 215 Nm
- All other fastening screws: 190 Nm



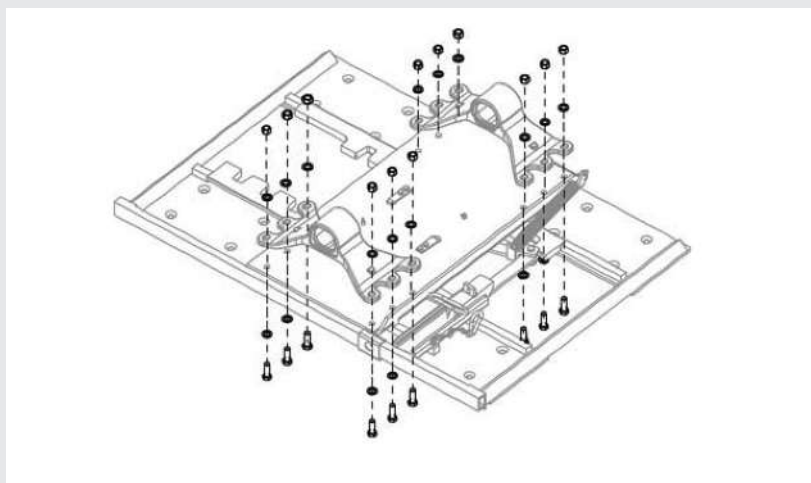
### MOUNTING KIT 701 FOR SLIDER ON INTERMEDIATE PLATE



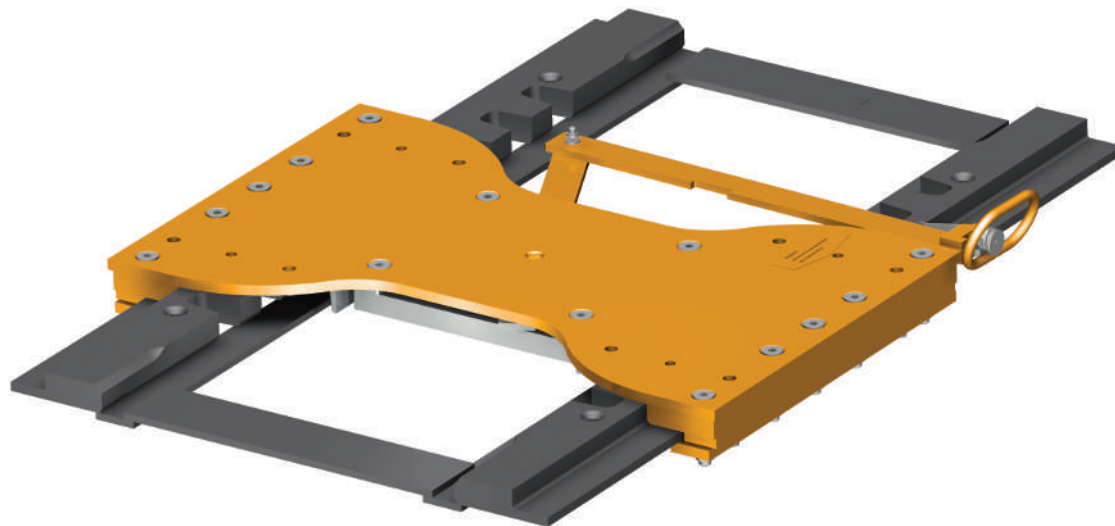
### MOUNTING KIT 702 FOR INTERME- DIATE PLATE ON VEHICLE FRAME



### MOUNTING KIT 703 FOR FIFTH WHEEL ON SLIDER

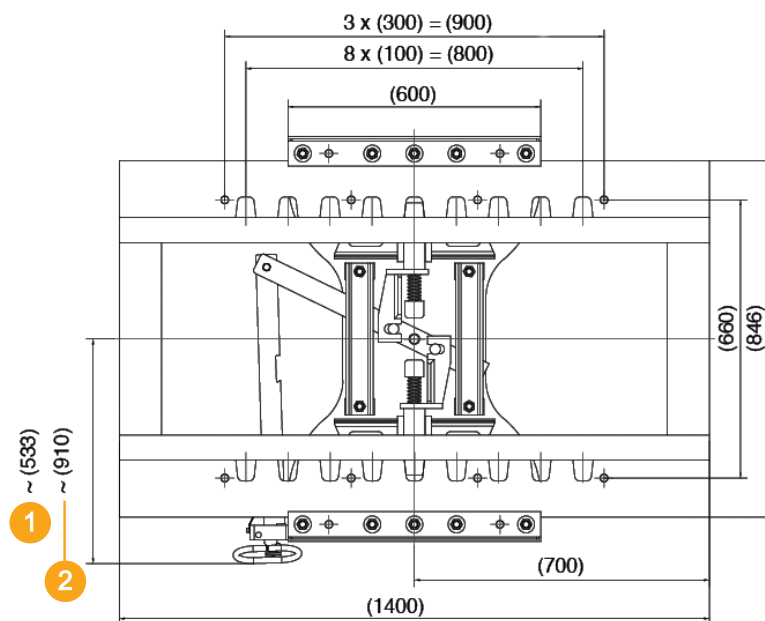


## HEAVY DUTY SLIDER SK-V 36



- Imposed load: 36 t
- D-Value: 260 kN
- Weight: 223 kg
- Basic height: 57 mm
- Overall height: 58 mm
- Frame width: 760 - 800 mm
- Dimensions: 1400 x 850 mm
- KTL anti-corrosion coating
- 9 selectable coupling points
- Total slider travel of 800 mm
- Approved for forced steering
- Suitable for fifth wheels with hole pattern according to DIN 74081, DIN 74084 and ISO 3842
- Suitable for heavy duty fifth wheels up to amounting height of 190 mm
- Auxiliary frame for mounting on vehicle not included in delivery
- ECE type approval no.: E11-55R-01 7609

## DIMENSIONS

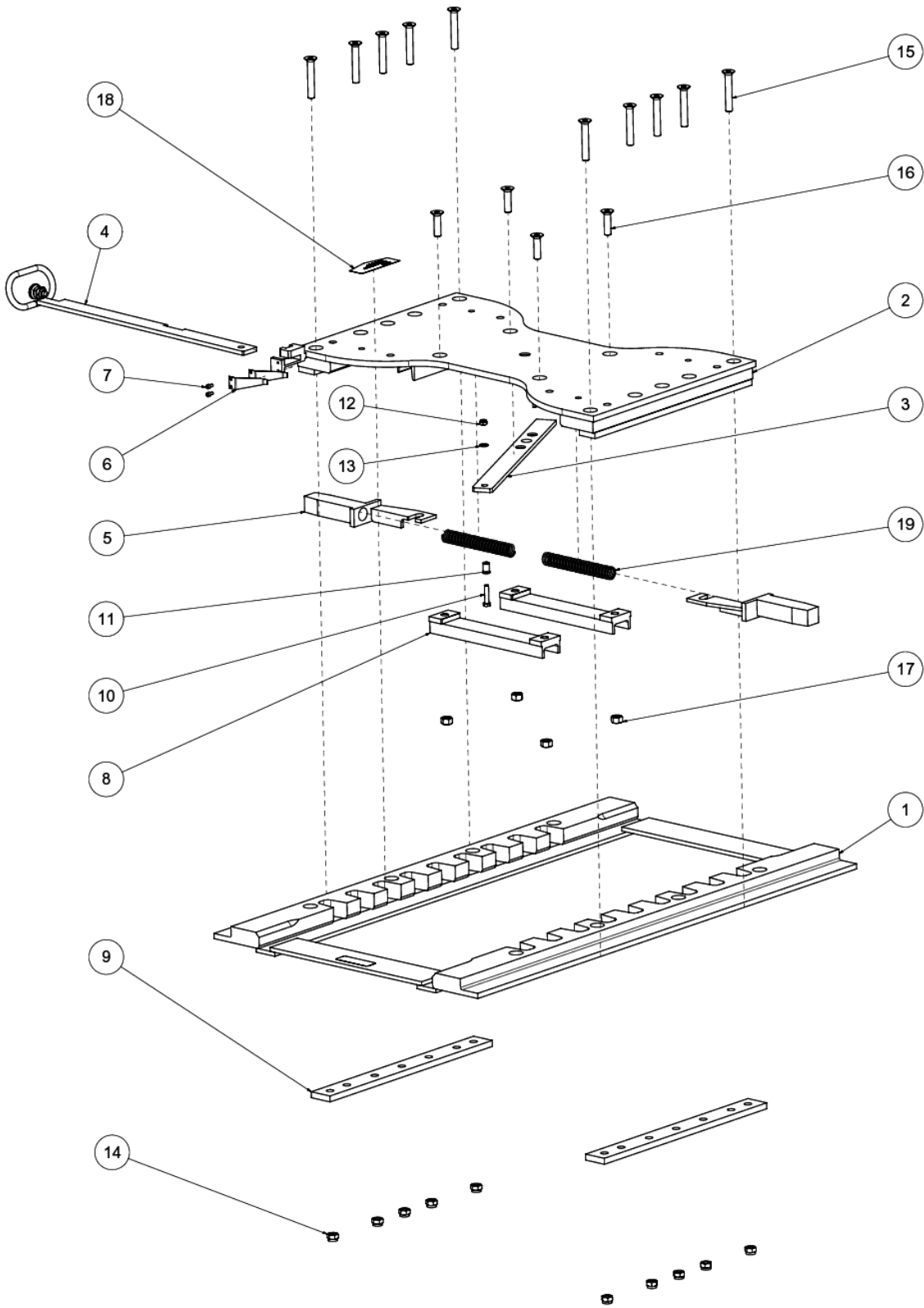


- 1 In position "locked"
- 2 In position "unlocked"

## TECHNICAL DATA

Type	Order no.
SK-V 36	662207001
for SK HD 38.36 on slider SK-V 36	662101584

# SPARE PARTS SK-V 36



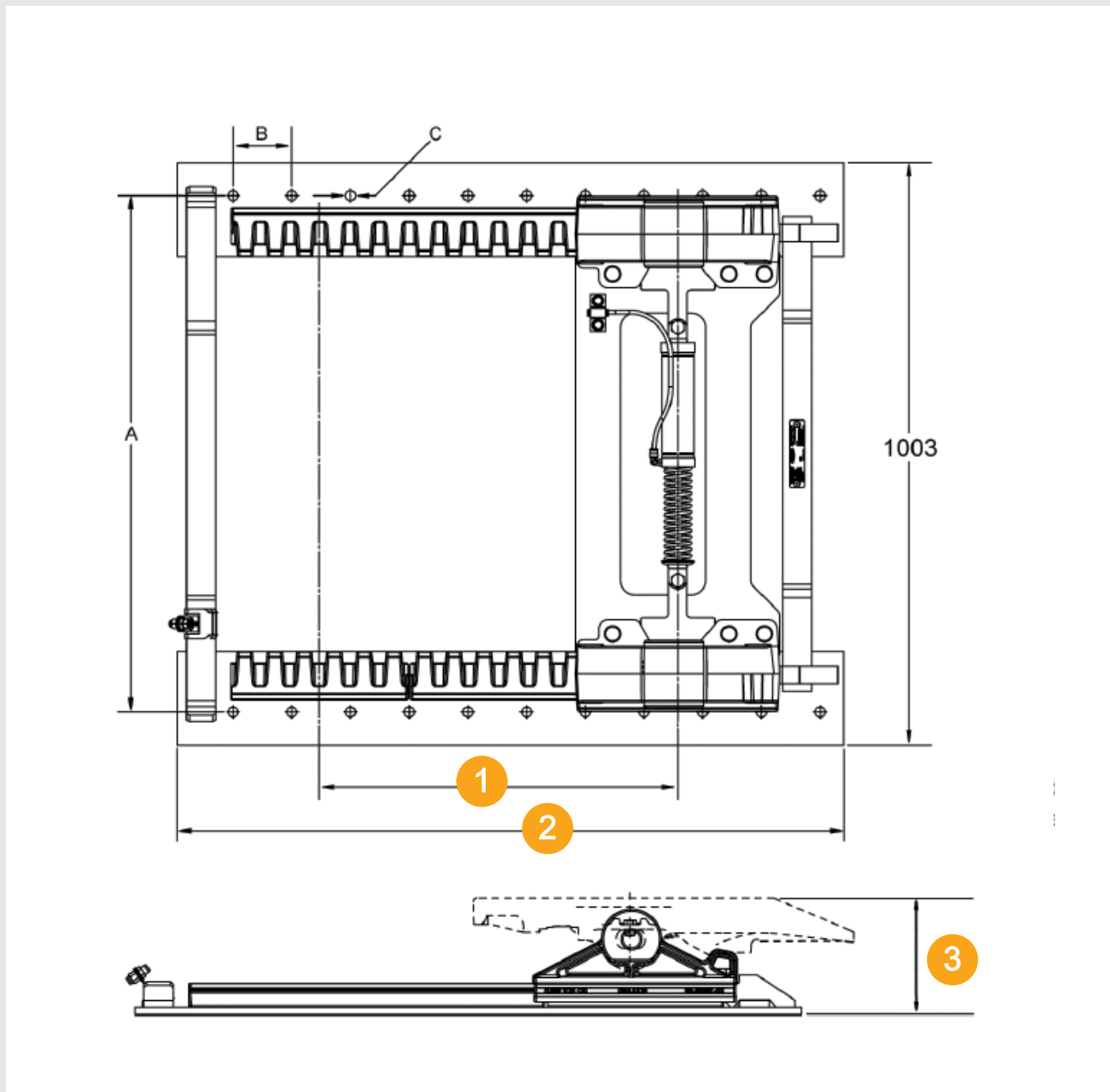
Item	Component	Dimensions	Pcs.	Order no.
	Repair kit locking mechanism cpl.			<b>662101759</b>
1	Locking finder		1	
2	Carriage		1	
3	crank		1	<b>662207021</b>
4	Operating handle		1	<b>662207016</b>
5	Locking finger		2	
6	Spring plate		2	
7	Hex socket head screw	M6x12	2	<b>659112354</b>
8	Traverse		2	
9	Carriage		2	
10	Screw		1	
11	Bush		1	
12	Hex-nut		1	
13	U-washer		1	
14	Hex-nut		10	<b>659115130</b>
15	Countersink screw	M16x100 - 10.9	10	<b>659112385</b>
16	Countersink screw	M16x1,5x60	4	<b>659100015</b>
17	Hex-nut	VM 16x1,5	4	<b>662101358</b>
18	Instruction plate		1	
19	Spring		2	

## ILS-SLIDER



- Available for all HOLLAND standard fifth wheel top plates, FW3510.
- Standard travel lengths of 610 mm and 1220 mm, travel lengths of 915 mm and 1555 mm available to special order.
- Air release standard on all models.
- Fifth wheel position adjustable in 50.8 mm increments.
- Supplied pre-drilled for bolting directly to tractor unit mounting angels.
- D-value: 150 kN
- Overall height: 173, 198, 236 mm
- Imposed load: 20 t
- Weight: 217 - 276 kg
- ECE type approval no.: E11-55R-01 0056

## DIMENSIONS



A Hole centres  
 B Hole spacing  
 C Hole size

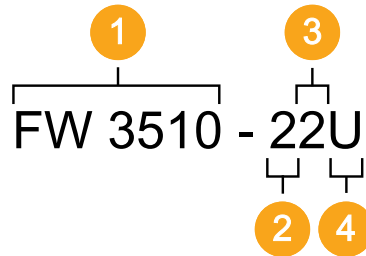
1 Slide travel\*  
 2 Slide plate length\*  
 3 Height\*

Available to suit OEM chassis mounting angles

## PART NUMBER ILS SLIDER

Part number for complete sliding fifth wheel assemblies

Note: For all air operated sliding fifth wheel assemblies also order air control kit RK2500-10-A



(1)

Fifth wheel type	
FW3510	3510

(2)

Overall height Code	Actual height for model type* FW3510
1	173
2	198
3	236

(3)

Length Code	Travel length*	Slide plate length*
1	305	830
2	610	1135
3	915	1440
4	1220	1745
5	1525	2050

(4)

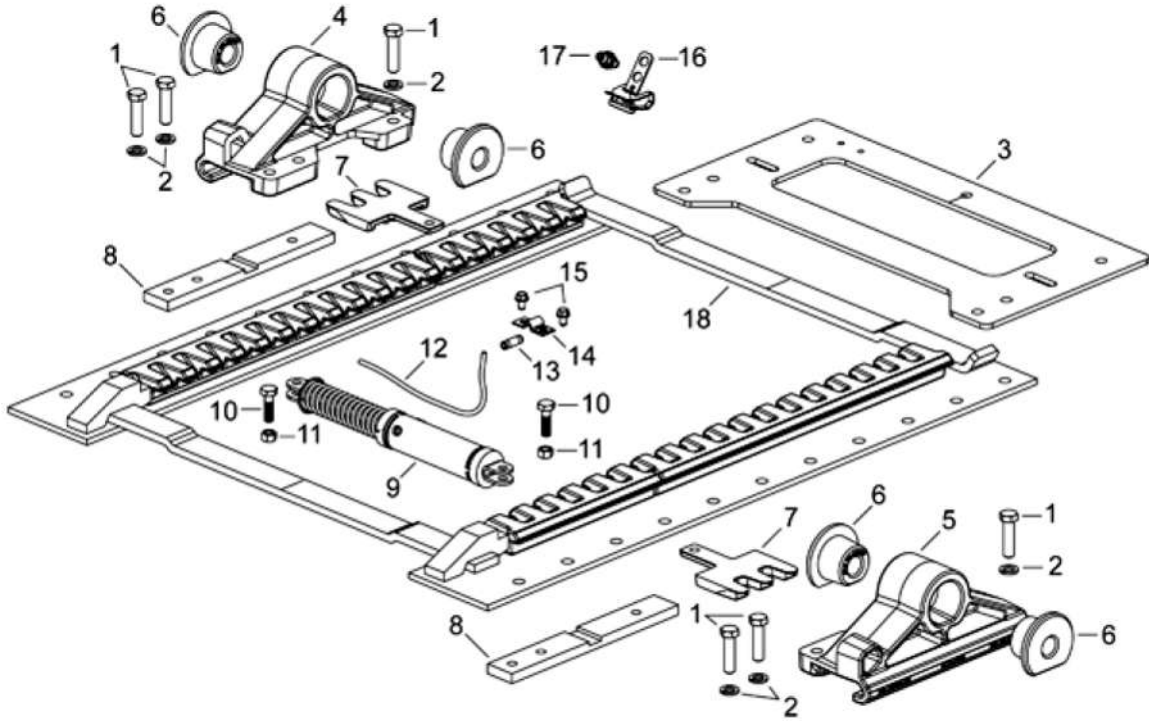
Drilling pattern	
U	Undrilled
J	Mercedes-Benz
J1	Mercedes-Benz (949 mm)
Z	Iveco
S	Scania
G	MAN
PR	Volvo gen4 / RVI T-Serie (930-940 mm)

\* All dimensions in millimetres





# SPARE PARTS ILS SLIDER



Item	Component	Dimensions	Pcs.	Order no.
	Pneumatic kit		1	<b>RK-2500-20A</b>
1	Screw	M16x60	6	<b>XB-HCS-M16-90-Z</b>
2	Spring washer	M16	6	<b>XB-LW-M16-Z</b>
3	Slider base		1	<b>XB-10606-1</b>
4	Mounting bracket left-low		1	<b>XD-10689-1L</b>
4	Mounting bracket left-medium		1	<b>XD-10689-2L</b>
4	Mounting bracket left-high		1	<b>XD-10689-3L</b>
5	Mounting bracket right-low		1	<b>XD-10689-1R</b>
5	Mounting bracket right-medium		1	<b>XD-10689-2R</b>
5	Mounting bracket right-high		1	<b>XD-10689-3R</b>
6	Rubber bush		4	
7	Shoe S/A		2	<b>XA-10604-1</b>
8	Buffer		2	<b>XA-10711-1</b>
9	Air cylinder		1	<b>XA-10700</b>
10	Hex-screw	1/2 - 20x1,75"	2	
11	Safety flange	1/2"-20"	2	
12	Air line		1	<b>XB-10809</b>
13	Connector		1	<b>XB-10815</b>
14	Retaining clamp		1	<b>XB-10816</b>
15	Screw		2	<b>XB-10814</b>
16	Bracket		1	<b>XA-10736</b>
17	Rückwand-Schnellverbinder		1	<b>XB-10748</b>
18	Brake cylinder support	610mm**	1	<b>XA-E-2</b>
18	Brake cylinder support	915mm**	1	<b>XA-E-3</b>
18	Brake cylinder support	1220mm**	1	<b>XA-E-4</b>
18	Brake cylinder support	1525mm**	1	<b>XA-E-5</b>

\*\* Designation for OEM specific hole spacing

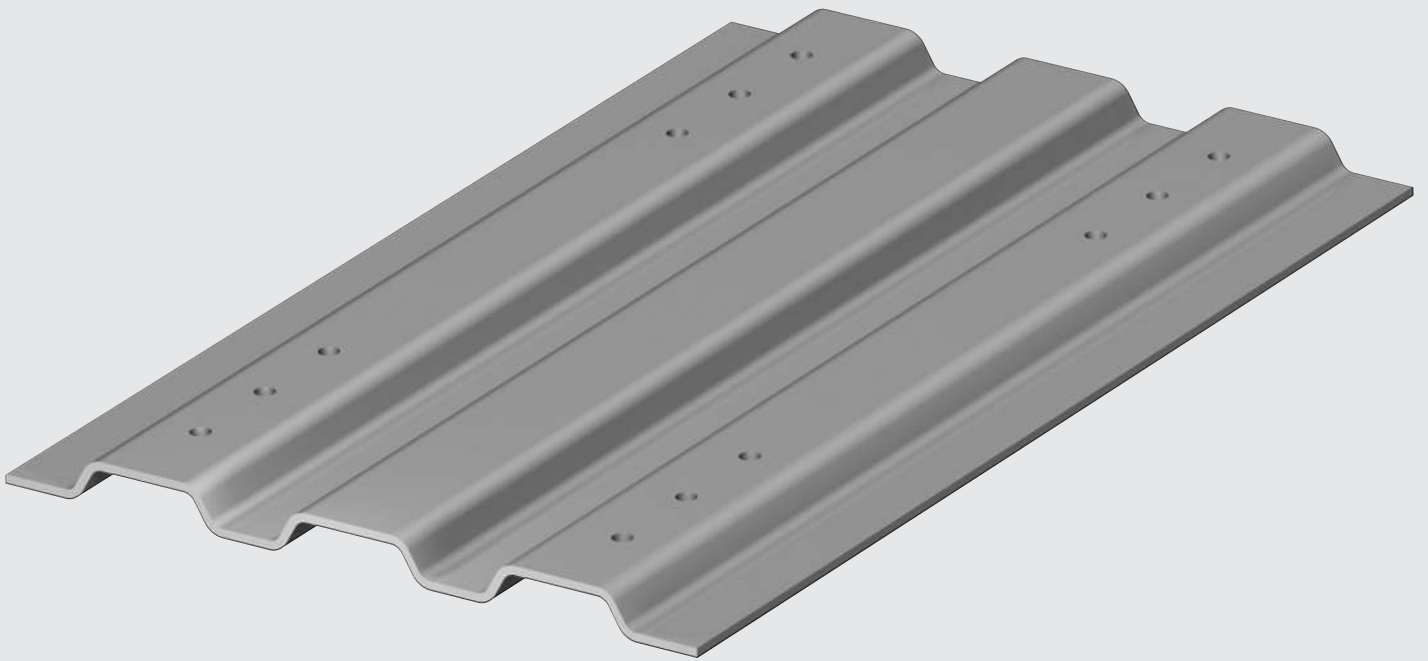
## MOUNTING KITS FOR ILS SLIDER

Mercedes Benz MP3	662101791
IVECO	662101792
DAF, MAN, Volvo/Renault (M16)	662101793
Mercedes Benz MP4 /AU+NZ	662101794





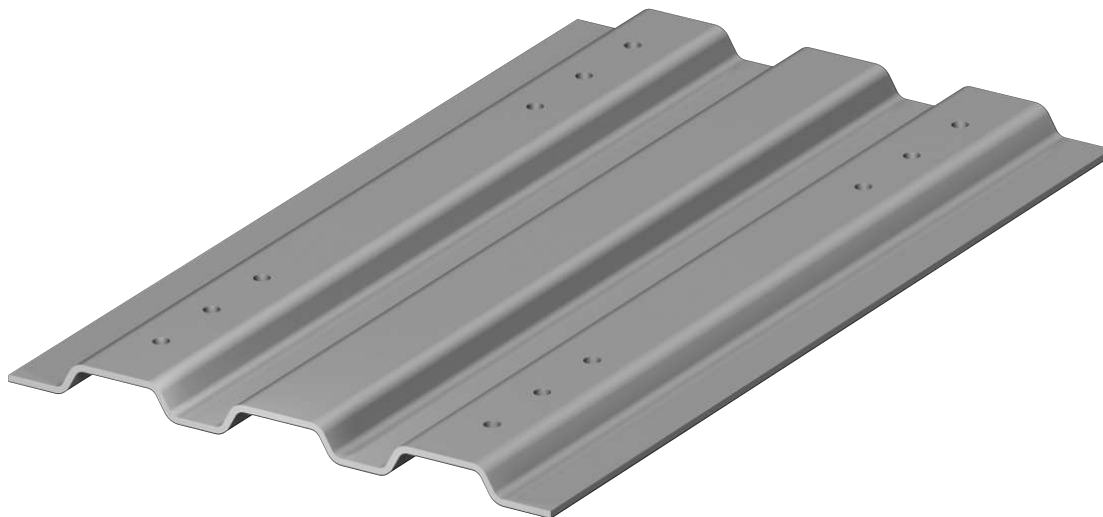
SAF-HOLLAND Group



# MOUNTING PLATES

PRE-DRILLED – UN-DRILLED  
MOUNTING KITS

## MOUNTING PLATES WITHOUT PRE-DRILLED HOLES



- Made of high grade, weldable steel plate
- Approved for forced steering
- Mounting hole pattern according to DIN 74081, 74084 pattern according to DIN 74081, 74084 and ISO 3842
- Type approved

## MOUNTING PLATES WITHOUT PRE-DRILLED HOLES FOR FIFTH WHEEL UP TO 22 T IMPOSED LOAD

Mounting hole pattern according to DIN 74081 / ISO 3842

Type	Overall height [mm]	Imposed load [t]	D-value [kN]	Weight [kg]	A [mm]	B [mm]	Mounting kit SK-MP	Type approval	Order no.
MP 300	12	22	162,4	64,0	710	960	555	E11 55R-01 0379	<b>662101300</b>
MP 299	12	22	162,4	69,0	710	1060	555	E11 55R-01 0379	<b>662101299</b>
MP 433*	12	22	162,4	60,0	710	960	514	E11 55R-01 0379	<b>662101433</b>
MP 644	12	22	162,4	64,0	715	960	555	E11 55R-01 0379	<b>662101644</b>
MP 486**	12	20	152,0	44,5	650	960	555	E11 55R-01 0953	<b>662101486</b>
MP 645**	12	20	152,0	63,0	650	960	555	E11 55R-01 0953	<b>662101645</b>
MP 549**	12	18	135,0	50,0	650	1060	555	E11 55R-00 6317	<b>662101549</b>
MP 648	12	22	162,4	45,0	650	960	555	E11 55R-01 0379	<b>662101648</b>
MP 672	12	22	162,4	45,0	650	1060	555	E11 55R-01 0379	<b>662101672</b>
MP 106	22	22	162,4	41,0	665	960	353	E11 55R-01 0380	<b>662101106</b>
MP 199	22	22	162,4	45,0	665	1060	353	E11 55R-01 0380	<b>662101199</b>
MP 646	23	22	162,4	48,0	765	960	353	E11 55R-01 0380	<b>662101646</b>
MP 060	40	22	162,4	45,0	665	960	498	E11 55R-01 0378	<b>662101060</b>
MP 078	40	22	162,4	49,0	665	1060	498	E11 55R-01 0378	<b>662101078</b>
MP 649	40	22	162,4	52,0	765	960	498	E11 55R-01 0378	<b>662101649</b>
MP 331**	100	16	108,0	81,0	710	970	498	E11 55R-01 0383	<b>662101331</b>

SK = fifth wheel, MP = mounting plate

\* MP, suitable for SK-S 36.22 with an overall height of 132 mm

\*\* MP with cut-out suitable for SK-S 36.20 with an overall height of 128 mm

For mounting widths wider than 930 mm, mounting plates of 1060 mm (B) are required.

## MOUNTING PLATES WITHOUT PRE-DRILLED HOLES FOR FIFTH WHEEL UP TO 36 T IMPOSED LOAD

Mounting hole pattern according to DIN 74084 / ISO 3842

Type	Overall height [mm]	Imposed load [t]	D-value [kN]	Weight [kg]	A [mm]	B [mm]	Mounting kit SK-MP	Type approval	Order no.
MP 301	16	36	280	84,2	710	960	553	e11*94/20*0385	<b>662101301</b>
MP 302	16	36	280	94,0	710	1060	553	e11*94/20*0385	<b>662101302</b>
MP 274	50	36	220	72,0	710	960	551	E11 55R-01 0387	<b>662101274</b>

Suitable for SK-HD 38.36 / G

## MOUNTING PLATES WITH PRE-DRILLED HOLES

The following mounting plates are already equipped with respective mounting hole patterns of the vehicle manufacturers.

Type	Overall height [mm]	OEM-Manufacturer hole pattern	Imposed load [t]	D-value [kN]	Weight [kg]	A [mm]	B [mm]	Type approval	Order no.
MP 525*	12	MAN	20	152	40	650	960	E11 55R-01 0953	<b>662101525</b>
MP 526*	12	Mercedes-Benz	20	152	40	650	960	E11 55R-01 0953	<b>662101526</b>
MP 527*	12	SCANIA	20	152	45	650	960	E11 55R-01 0953	<b>662101527</b>
MP 532	12	IVECO	22	162,4	63	715	960	E11 55R-01 0379	<b>662101532</b>
MP 544*	12	IVECO	20	152	63	715	960	E11 55R-01 0953	<b>662101544</b>
MP 630*	12	Renault	18	135	50	650	1060	E11 55R-01 6317	<b>662101630</b>
MP 631*	12	Mercedes-Benz	18	135	50	650	1010	E11 55R-01 6317	<b>662101631</b>
MP 594	12	SCANIA	22	162,4	58	650	960	E11 55R-01 0379	<b>662101594</b>
MP 577	40	SCANIA	22	162,4	54	775	960	E11 55R-01 0378	<b>662101577</b>
MP 440	22	SCANIA	22	162,4	41	665	960	E11 55R-01 0380	<b>662101440</b>
MP 574	22	MAN	22	162,4	41	665	960	E11 55R-01 0380	<b>662101574</b>
MP 586**	24	Mercedes-Benz	22	162,4	42,0	650	1010	E11 55R-01 0380	<b>662101586</b>
MP 595	23	SCANIA	22	162,4	48,0	765	960	E11 55R-01 0380	<b>662101595</b>
MP 441	40	SCANIA	22	162,4	45	665	960	E11 55R-01 0378	<b>662101441</b>
MP 511	40	DAF	20	152	40	700	960	E11 55R-01 0951	<b>662101511</b>
MP 596	40	SCANIA	22	162,4	52	765	960	E11 55R-01 0378	<b>662101596</b>
MP 632	12	Mercedes-Benz	22	162,4	61	650	1010	E11 55R-01 0379	<b>662101632</b>
MP 641	12	FORD	18	135	66	650	1050	E11 55R-01 6317	<b>662101641</b>
MP 640	12	FORD	22	162,4	69	710	1050	E11 55R-01 0379	<b>662101640</b>
MP 639	22	FORD	22	162,4	52	780	1050	E11 55R-01 0380	<b>662101639</b>
MP 638	40	FORD	22	162,4	57	780	1050	E11 55R-01 0378	<b>662101638</b>

\* for SK-S 36.20 / overall height 128 mm (with cut-out)

\*\* only for Mercedes Actros MP4



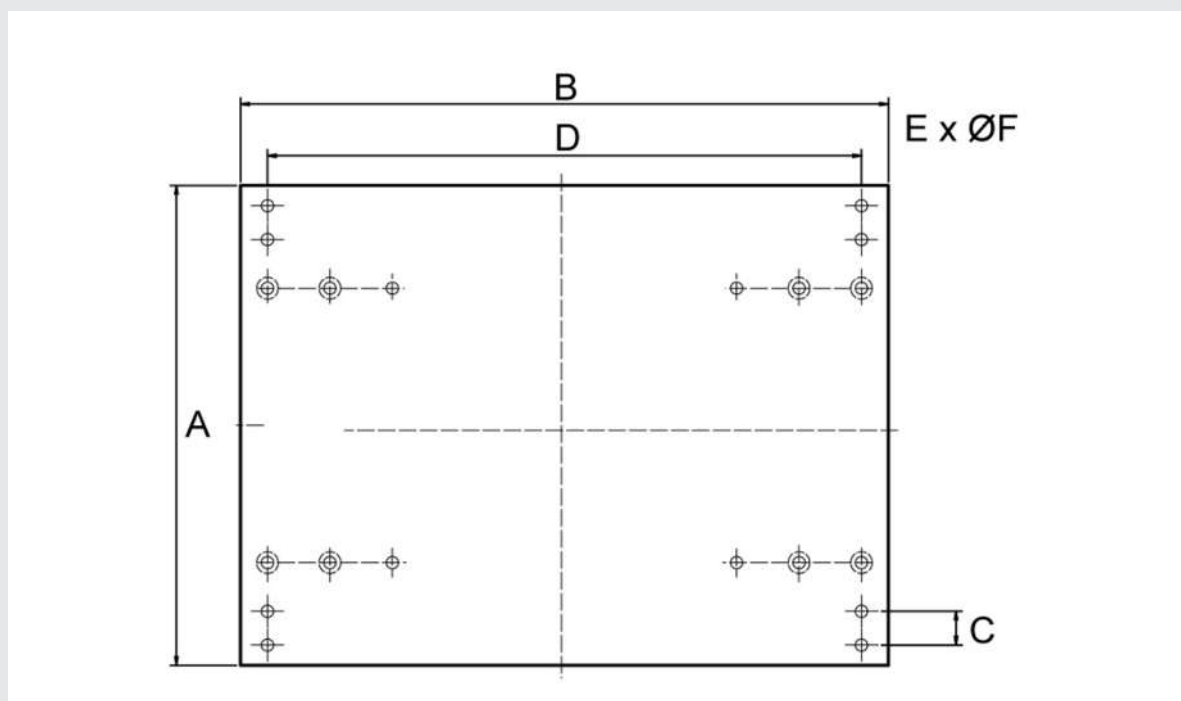
## TECHNICAL DATA AND USEABLE MOUNTING KITS

Type	Overall height [mm]	Mounting kit SK-MP	Mounting kit MP-FHR	A [mm]	B [mm]	C [mm]	D [mm]	E [mm]	F [mm]
MP 525*	12	662101555	552	650	960	50,75	880	8	18
MP 526*	12		550	650	960	50	860	8	21
MP 527*	12			650	960	50	880	8	19
MP 532	12		IVECO	715	960	45	860	12	19
MP 544*	12		IVECO	715	960	45	860	12	19
MP 630*	12		551	650	1060	50	940	12	18
MP 631*	12		550	650	1060	50	949	8	21
MP 594	12				650	960			
MP 577	40			775	960				
MP 440	22	662101498		665	960	50	880	8	19
MP 512	22	662101353	551	700	960	50	880	12	18
MP 574	22	662101498	552	665	960	50,75	880	8	18
MP 586	24	662101353		650	1010	50	949	18	18
MP 595	23	662101498		765	960	50	880	12	21
MP 441	40	662101353		665	960	50	880	8	19
MP 511	40	662101498	551	700	960	50	880	12	18
MP 596	40	662101498		765	960	50	880	12	21

SK = fifth wheel, MP = mounting plate, FHR = vehicle chassis

\* for SK-S 36.20 / overall height 128 mm (with cut-out)

## DIMENSIONS



Mounting hole pattern according to DIN 74081

## MOUNTING KITS

**Important: SAF-HOLLAND mounting kits contain special screws and bolts which guarantee high quality and extra safe mounting of our products.**

Type	Mounting	Model	Overall height [mm]	Order no.
514	SK on MP 16mm or MP 12mm before year of construction 2005	4x (M16x50x1.5), 8x (M16x55)	12 - 16	<b>662101514</b>
353	SK (2") on MP	12x (M16x55x1.5) 8.8	22 - ...	<b>662101353</b>
498	SK (2") on MP	12x (M16x50x1.5)	24 - 150	<b>662101498</b>
354	SK on MP and FHR	12x (M16x55x1.5)	50	<b>662101354</b>
452	SK on MP and FHR	4x (M16x50x1.5), 16x (M16x55x1.5)	12	<b>662101452</b>
550	MP on FHR (Mercedes-Benz Actros)	8x (M20x45x1.5)	12	<b>662101550</b>
551	SK (3½") on FHR	12x (M16x60x1.5)	24 - ...	<b>662101551</b>
552	MP on FHR	8x (M16x50x1.5)	12 - 40	<b>662101552</b>
553	SK (3½") on MP, for MP 301, MP 302	4x (M16x60x1.5), 8x (M16x55x1.5)	16	<b>662101553</b>
555	SK (2") on MP	12x (M16x55x1.5)	12	<b>662101555</b>
556	SK on MP302 and FHR, includes 514 + 557		16	<b>662101556</b>
557	MP on FHR, for MP 302 (3½")	8x (M20x65x1.5)	16	<b>662101557</b>

SK = fifth wheel, MP = mounting plate, FHR = vehicle chassis

## MOUNTING INSTRUCTIONS

### Mounting the fifth wheel on the mounting plate

For mounting fifth wheels as per DIN 74081, at least 8 high-tensile bolts are required, for fifth wheels as per DIN 74084, at least 12 high-tensile bolts, M16 or M16 x 1.5 of at least grade 8.8, in symmetrical order to the longitudinal and lateral axes of the fifth wheel.

### Mounting the MP on the vehicle frame / angle

Install mounting plates on the vehicle according to the instructions of the vehicle manufacturer. In the absence of the vehicle manufacturer guidelines, we recommend:

For 2" fifth wheels as per DIN 74081, at least 4 high-tensile bolts, M16 x 1.5, of at least grade 8.8, or 4 high-tensile bolts, M20 x 1.5, of at least grade 8.8, on each side.

For 3½" fifth wheel as per DIN 74084, at least 6 high-tensile bolts, M16 x 1.5, of at least grade 8.8, or 4 high-tensile bolts, M20 x 1.5, of at least grade 8.8, on each side.

The mounting brackets and the mounting plate can be screwed by welded stop plates.

Tighten M16 x 1.5 bolts, of at least grade 8.8, with a torque of 190 Nm.

Tighten M20 x 1.5 bolts, of at least grade 8.8, with a torque of 350 Nm.

After assembling fifth wheels and mounting plates have to be approved by a national inspection authority.



# ACCESSORIES

ANTI-THEFT LOCK – STEERING WEDGE – HUBODOMETER  
– SAF-O-METER – RECOSS®

## ANTI-THEFT LOCK



- Extra sturdy and impact resistant spheroidal graphite cast iron housing
- Suitable for all construction types 2" and 3½" kingpins

Special tamper proof cylinder safety lock incl. 2 keys. Special locking combinations e.g. series if identical lock or with master lock for multiple use in big fleets.



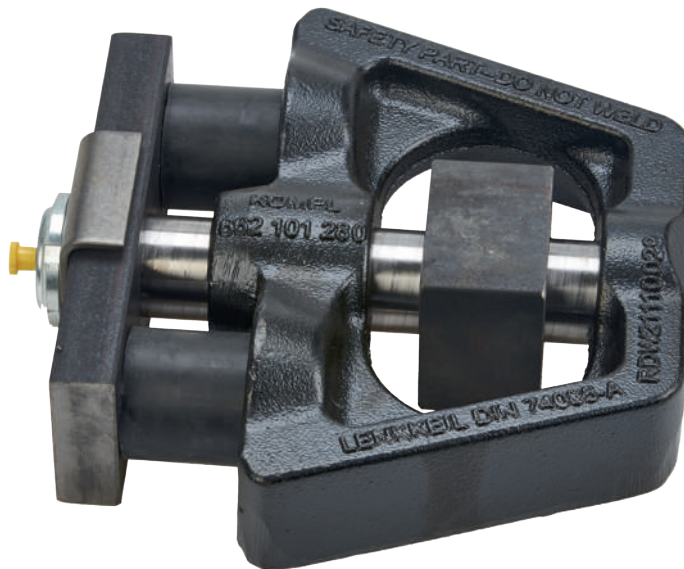
### TECHNICAL DATA - ANTI-THEFT DEVICE 2"

Type	Weight [kg]	Overall height [mm]	Diameter Ø [mm]	Order no.
Anti-theft lock standard	5,4	92	260	662102031
Anti-theft lock identical lock	5,4	92	260	662102034
Cylinder key				662102038

### TECHNICAL DATA - ANTI-THEFT DEVICE 3 1/2"

Type	Weight [kg]	Overall height [mm]	Diameter Ø [mm]	Order no.
Anti-theft lock standard	5,9	86	260	662102041
Anti-theft lock identical lock	5,9	86	260	662102044
Cylinder key				662102038

## STEERING WEDGE



- Robust body made of spheroidal graphite cast iron
- The integrated rubber spring suspension with a spring extension of 18 mm, prevents jamming during driving.
- The steering wedge does not require any special maintenance and the integrated lubrication system makes servicing easy.

### TECHNICAL DATA

Type	Model	Type approval	Weight [kg]	Order no.
Steering wedge cpl.	gefedert	DIN 74085	12,2	662101280

### FITTING INSTRUCTIONS

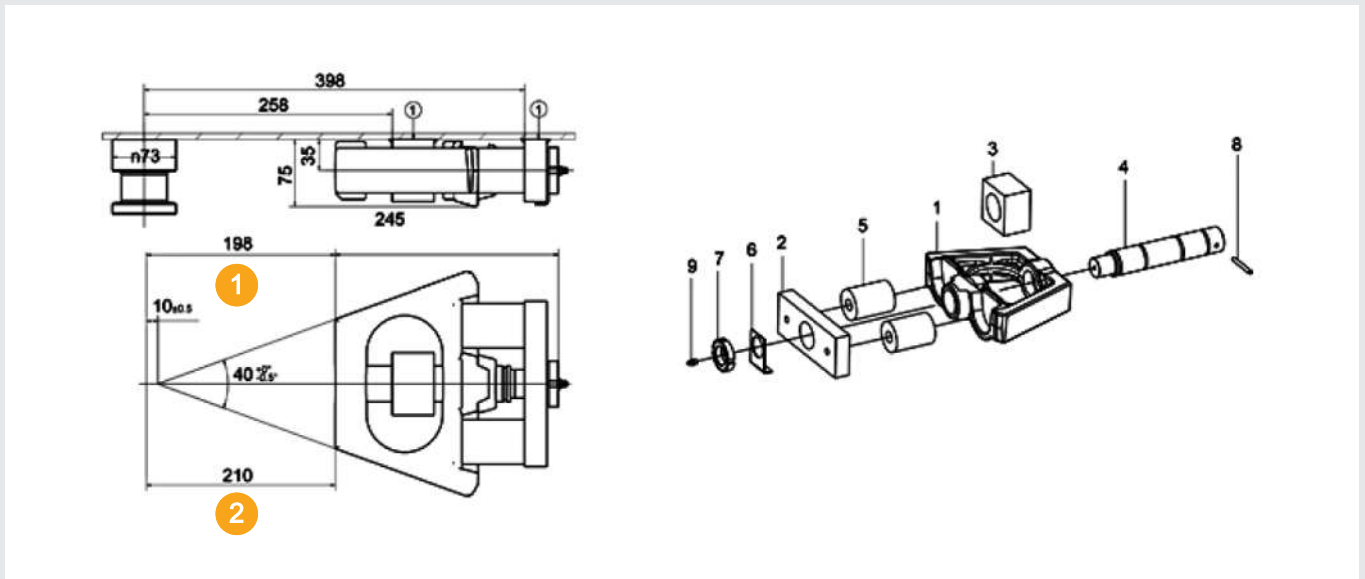
Fastening is carried out by a continuous weld seam (seam thickness 5 mm) of the bearing (1) on the trailer plate. We recommend the welding processes E II or MAG C. Only high quality filler material may be used.

**Important:** The specified assembly dimensions are to be strictly observed. These dimensions produce a theoretical initial tension of 12 mm. The total spring extension is 18 mm.

When mounted on the vehicle:  $M_d = 400 \text{ Nm} \pm 20 \%$ .

Bearing (Item 2 + 3): The wedge should not be welded tight.

## DIMENSIONS



- 1 uncoupled
- 2 coupled

## SPARE PARTS

Item	Component	Pcs.	Order no.
1	Cotter	1	662101282
2	Bearing rear	1	662101279
3	Bearing front	1	662101278
4	Wedge-type guiding spindle	1	662101281
5	Rubber spring	1	662101310
6	Locking plate	1	662101374
7	Nut	1	659115126
8	Rollpin	1	659100022
9	Grease nipple	1	662126224

## HUBODOMETER (MILEAGE INDICATOR FOR TRAILERS)



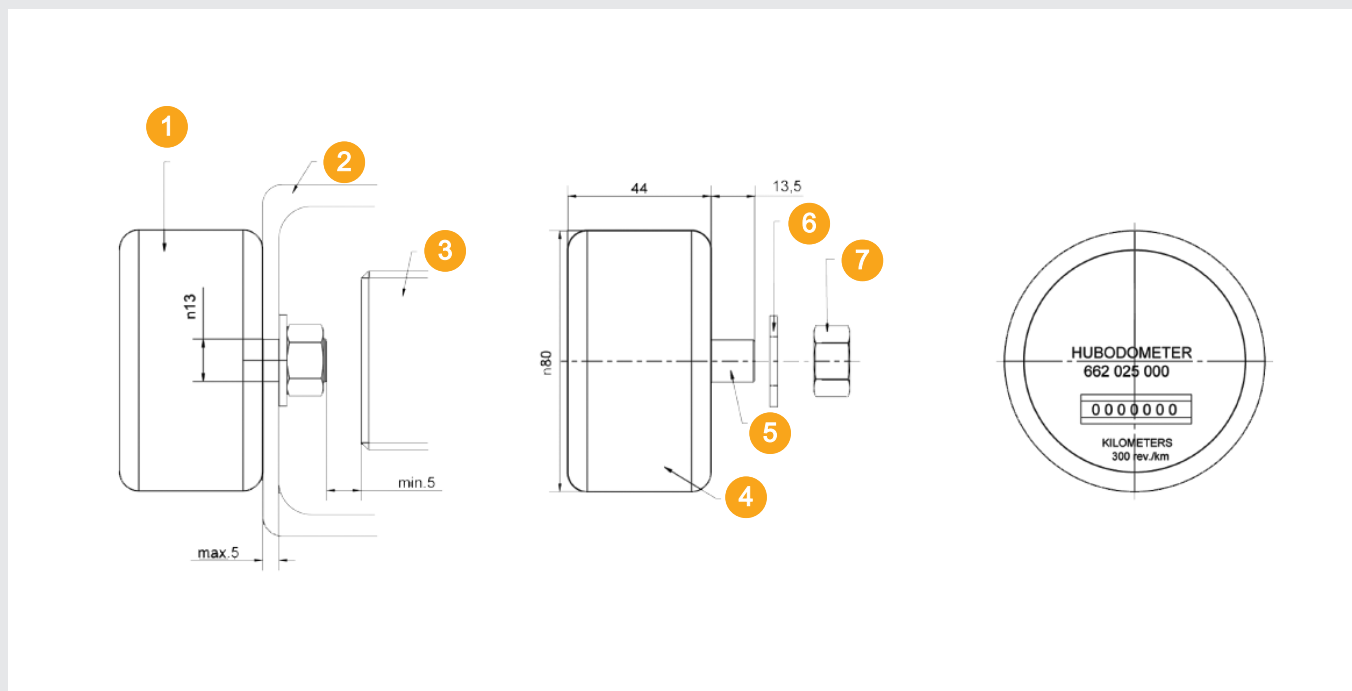
SAF-HOLLAND precision hubodometers are available for all conventional tyre sizes from 15" to 24".  
When placing your order, it is important to indicate tyre size or rolling.

### TECHNICAL DATA

Type	Rolling circumference [mm]	Order no.
Hubodometer	2355 (2325 - 2400)	662025014
Hubodometer	2500 (2450 - 2550)	662025005
Hubodometer	2551 (2500 - 2600)	662025013
Hubodometer	2727 (2675 - 2775)	662025012
Hubodometer	2783 (2750 - 2825)	662025011
Hubodometer	2915 (2875 - 2975)	662025010
Hubodometer	3061 (3000 - 3125)	662025009
Hubodometer	3158 (3100 - 3200)	662025003
Hubodometer	3333 (3275 - 3400)	662025000
Hubodometer	3401 (3350 - 3450)	662025002
Hubodometer	3740	662025015



## DIMENSIONS



- |   |             |   |                       |
|---|-------------|---|-----------------------|
| 1 | Hubodometer | 4 | Hubodometer           |
| 2 | Hub Cap     | 5 | Thread UNF-2A 1/2"-20 |
| 3 | Axle        | 6 | Washer                |
|   |             | 7 | Nut                   |

## FITTING INSTRUCTIONS

### For direct mounting on the hub cap:

The outside surface of the hub cap (contact area of the hubodometer) must be absolutely level. If necessary, turn or grind the surface until level. Drill a hole concentrically with a diameter of 1/2" and if necessary mill the inner side of the hub cap for the type of lock washer.

### Important:

Maintain a safety margin of at least 5 mm between screw neck and axle arm. Other types of assembly are possible, e.g. at the flat steel hoop outside of the hub (customer supplied), however, ensure that the hubodometer is always arranged concentrically to the axle.

## SAF-O-METER (MILEAGE INDICATOR FOR TRAILERS)



- Retrospective fitting with SAF-HOLLAND original parts is no problem

### TECHNICAL DATA

Type	Rolling circumference	Rolling circumference area [mm]	Order no.
Hubodometer	245/70R 17,5" - 235/75R 17,5"	2410 (2360 - 2455)	<b>04388024100</b>
Hubodometer	265/70R 19,5"	2640 (2590 - 2690)	<b>04388026400</b>
Hubodometer	445/45R 19,5"	2710 (2655 - 2765)	<b>04388027100</b>
Hubodometer	425/55R 19,5"	2910 (2850 - 2970)	<b>04388029100</b>
Hubodometer	385/55R 22,5"	3040 (2979 - 3100)	<b>04388030400</b>
Hubodometer	1R 22,5" / 295/80R 22,5"	3190 (3125 - 3250)	<b>04388031900</b>
Hubodometer	385/65R 22,5"	3250 (3185 - 3315)	<b>04388032500</b>
Hubodometer	425/65R 22,5"	3490 (3420 - 3560)	<b>04388034900</b>

For example: Tires: 385/65R 22.5" with rolling circumference (E.T.R.T. 0 norm): 3248 mm. This rolling circumference is most suitable for ranges 3185 and 3315.

So:

- SAF-O-Meter 4 388 0325 00
- Wheel cap 4 304 0103 01

## FITTING INSTRUCTIONS

Before mounting, please ensure that you have received the correct SAF-O-Meter for your size of tires!

Axle series 06, example: Axle model S9-4218



Wheel cap standard  
4 304 0102 01

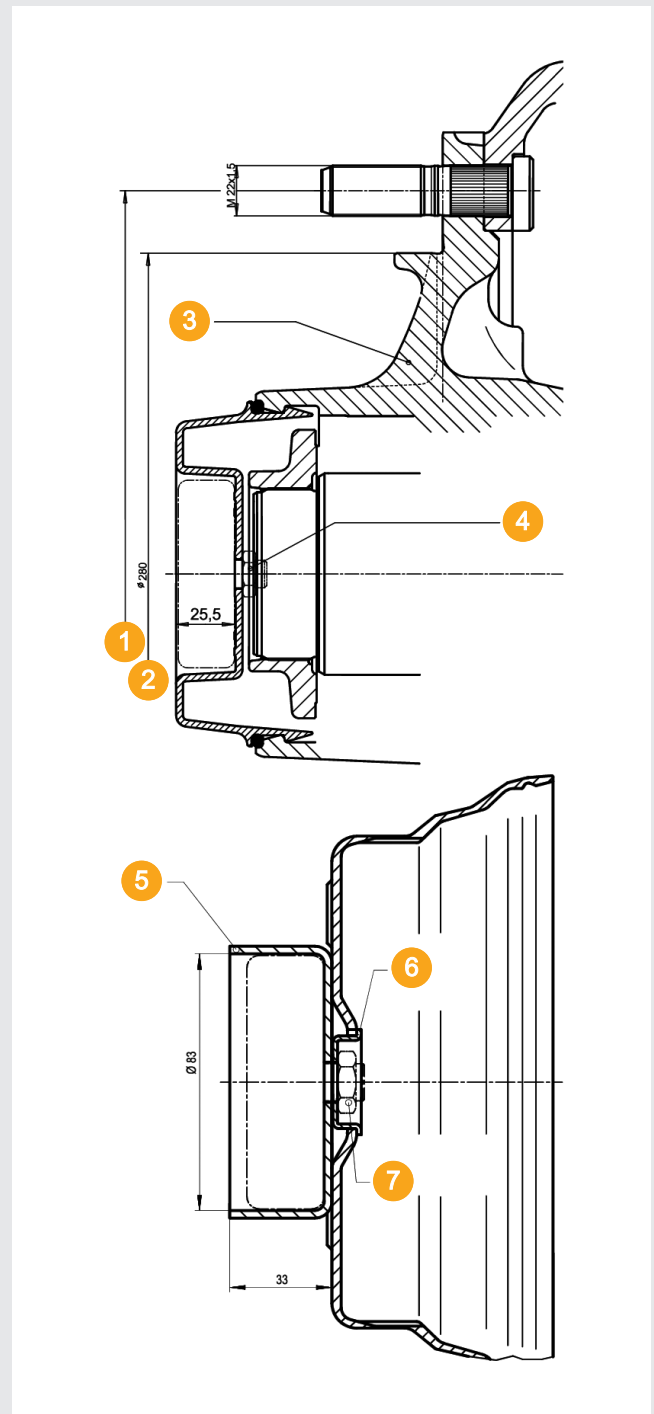
Axle series SK, example: Axle model SK RZ 12037



Wheel cap for SAF-O-Meter  
4 304 0103 01

The diagrams show how the SAF-O-Meter is fitted in the hub caps for the different axle models.

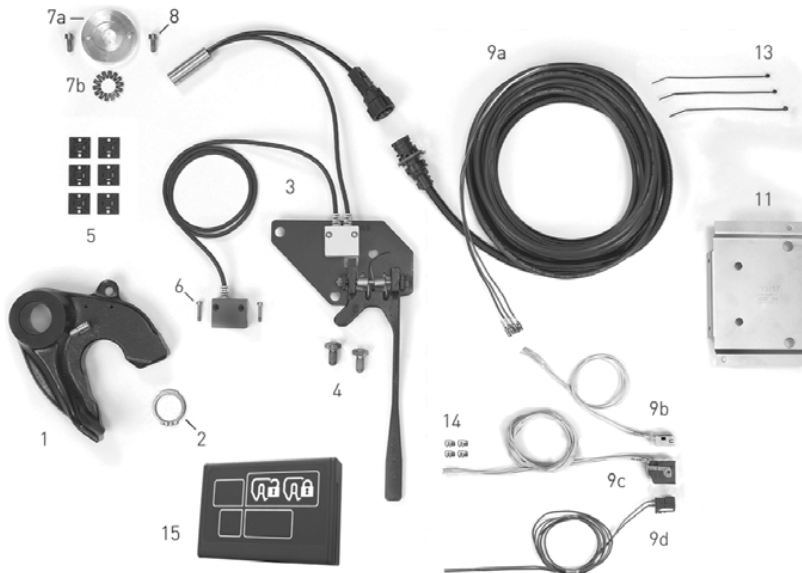
It is not important here which side of the vehicle the unit is fitted on, because the counter functions record the distances covered regardless of the direction of turning.



- |                                  |  |
|----------------------------------|--|
| 1 TK Ø 355 10 Bolt               | 5 Protection Cap                         |
| 2 Ø 280                          | 6 Spacer Ring                            |
| 3 Wheel Hub                      | 7 Tightening Torque<br>SAF-O-Meter: 15Nm |
| 4 Tightening Torque<br>Nut: 15Nm |  |

# RECOSS® THE PROVEN 3-SENSOR SAFETY SYSTEM

## RECOSS® REPAIR KITS AND SPARE PARTS



Item	Component	Pcs.	Order no.
	Repair kit locking mechanism		662101716
	Repair kit locking mechanism		662101718
	Repair kit locking mechanism and bearings		662101717
	Repair kit locking mechanism and bearings		662101719
3-8	Repair kit sensor (3S)		662129427
1	Coupler jaw	1	662131115
2	Circlip	1	659100027
5	Mounting base	6	662129168
9	Cable kit RECOSS II standard (9a, 9b, 9c, 9d)	1	662129401
11	Adaptor	1	662129404
13	Cable clip	3	659100045
14	Label for indication element	1	662129190
15	Display unit Recoss II	1	662129445

## REPAIR KITS SENSOR: MERCEDES-BENZ / RENAULT / VOLVO

Item	Component	Type	Pcs.	Order no.
	Repair kit locking mechanism	SK-S 36.20 S		662101768
	Repair kit locking mechanism and bearings	SK-S 36.20 S		662101769
	Repair kit locking mechanism	SK-S 36.20 WS		662101770
	Repair kit locking mechanism and bearings	SK-S 36.20 WS		662101771
	Repair kit locking mechanism	SK-S 36.20 S NoLube		662101772
	Repair kit locking mechanism and bearings	SK-S 36.20 S NoLube		662101773
	Repair kit sensor	Volvo FH new / Renault		662129493
	Repair kit sensor	Mercedes Benz		662129496

Order nos. 662101768 - 662101771 now apply for Volvo / Renault / Mercedes-Benz Actros new

Order nos. 662101772 - 662101773 now apply for Mercedes-Benz Actros new



# SAF LILUBE LUBRICANTS

SAF LiLube PLUS, SAF LiLube MoS2, SAF LiLube EXPERT,  
GREASE CARTRIDGE

## SAF LILUBE LUBRICANTS



With its new line of lubricants, SAF-HOLLAND provides high-quality lubricants for your fleet.

Wheel bearings, fifth wheels, kingpins or ball races – SAF-HOLLAND offers the lubricant you need. The selection of highly refined base oils and additives ensure smooth driving over a long period of application.

SAF-HOLLAND lubricants reduce wear and guarantee a consistent, long-lasting performance even under extreme conditions.

SAF-HOLLAND lubricants conform with REACH, CLP and meet current environmental standards.

Technical data sheets and application instructions must be followed. Safety data sheets are available upon request.

## TECHNICAL DATA

Qty. [kg]	Packaging	Description	Note	Old order number	Order no.
0,4	Cartridge	SAF LiLube Expert	Wheel bearing, KLK *		05387003004
1,0	Can	SAF LiLube Expert	Wheel bearing, KLK *		05387003001
5,0	Bucket	SAF LiLube Expert	Wheel bearing, KLK *		05387003005
18,0	Bucket	SAF LiLube Expert	Wheel bearing, KLK *		05387003018
25,0	Bucket	SAF LiLube Expert	Wheel bearing, KLK *		05387003025
50,0	Bucket	SAF LiLube Expert	Wheel bearing, KLK *		05387003050
180,0	Barrel	SAF LiLube Expert	Wheel bearing, KLK *		05387003008
0,4	Cartridge	SAF LiLube Plus	Wheel bearing, KLK *		05387003104
1,0	Can	SAF LiLube Plus	Wheel bearing, KLK *		05387003101
5,0	Bucket	SAF LiLube Plus	Wheel bearing, KLK *	05387002606	05387003105
18,0	Bucket	SAF LiLube Plus	Wheel bearing, KLK *	05387002615	05387003118
25,0	Bucket	SAF LiLube Plus	Wheel bearing, KLK *		05387003125
50,0	Bucket	SAF LiLube Plus	Wheel bearing, KLK *	05387002650	05387003150
180,0	Barrel	SAF LiLube Plus	Wheel bearing, KLK *		05387003108
0,4	Cartridge	SAF LiLube MoS2	SK/LG/KP *		05387004004
1,0	Can	SAF LiLube MoS2	SK/LG/KP *		05387004101
5,0	Bucket	SAF LiLube MoS2	SK/LG/KP *		05387004005
18,0	Bucket	SAF LiLube MoS2	SK/LG/KP *		05387004018
25,0	Bucket	SAF LiLube MoS2	SK/LG/KP *		05387004025
50,0	Bucket	SAF LiLube MoS2	SK/LG/KP *		05387004050
180,0	Barrel	SAF LiLube MoS2	SK/LG/KP *		05387004008

\* In combination with central lubrication unit

## GREASE CARTRIDGE FOR SK-S 36.20 W + FW3214-W



- Automatic single point long term dispenser for grease and oil
- No manual lubrication of lock mechanism required
- TÜV approved
- Contents: 125 ml
- Operating system: Hydrogen gas formation cell
- Operating pressure max. 3 bar
- Setting: continuous 1-12 months
- Average period of use approx. 6 months
- Operating temperature: -20° C up to +55° C ambient temperature
- Recommended storage temperature of 20° C  $\pm$ 5° C



## TECHNICAL DATA

Type	Note	Dimensions [mm]	Weight [kg]	Connection	Order no.
Grease cartridge	125ml	100xØ52	0,190	R 1/4"	<b>662131150</b>
Adaptor	required for all SK-S 36 W version + FW2414-W			R 1/4" - M8x1	<b>662131151</b>
Connecting bend	required for all SK-S 36 W version + FW2414-W				<b>662131152</b>

## INSTRUCTIONS

For higher or lower ambient temperatures or varying lubrication requirements, the grease quantity can be continuously adapted on a daily basis. An initial setting of level 6 is recommended.

- Application: The dispenser can be mounted in all conditions
- Important: do not expose directly to heat
- Use within 2 years filling date

The dispensed grease quantity per day is affected by the following:

- Ambient temperature
- Resistance / back pressure in lines
- Viscosity of grease

The simalube can be adjusted or shut off during the period of dispensing. The setting on the adjusting washer refer to standard conditions. It is recommended to check the function of the dispenser (piston movement, targeting unit) at regular intervals.

The trouble free functioning of the lubricant dispensing system is only guaranteed by using the recommended lubricant, the original simalube accessory program and observing the mounting, operating and maintenance regulations. Failure to observe these instructions excludes the manufacturer from liability for any resulting damages.

## SAFETY INFORMATION

If the dispenser is put into operation without removing the seal, or if the grease channels of the installation are blocked, the pressure in the dispenser can rise to up to 5 bar. When an overpressure of 5 bar is reached, the dispenser bursts at the designated breakage point between housing and funnel. The pressure behind the piston is released and grease or oil can leak out from the designated breakage.





# KINGPINS

TYPE APPROVED SAFETY PARTS, DROP FORGED, AND HIGH-GRADE HARDENED AND TEMPERED

## ORDER NUMBERS

### 2" (Ø 50 mm)

NEW SAF 50S15	GF*	OLD		Plate thickness [mm]
		HOLLAND 65	HOLLAND OLD	
<b>Kingpin, complete</b>				
1030 30 000002 0	662 101 108	KP-E-65212	62218	12
1030 30 000003 0	662 101 119	KP-E-65210	62018	10
1030 30 000004 0	662 101 117	KP-E-65208	62818	8
		KP-E-65207	62718	7
1030 30 000005 0	662 101 491	KP-E-65206	62618	6
<b>Flange</b>				
2031 10 000002 0	662 101 107	XA-E-52212	51238	12
2031 10 000003 0	662 101 120	XA-E-52210	51038	10
2031 10 000004 0	662 101 118	XA-E-52208	51838	8
		XA-E-52207	51738	7
2031 10 000005 0	662 101 490	XA-E-52206	51638	6
<b>Pin</b>				
2108 10 000002 0	662 101 109	XA-E-51265	51050	
<b>Bolts M14x30</b>				
2088 10 000005 0	659 112 320			

### 3,5" (Ø 90 mm)

NEW SAF 90S15	GF*	OLD		Plate thickness [mm]
		HOLLAND	HOLLAND OLD	
<b>Kingpin, complete</b>				
1030 30 000009 0	662 101 170	KP-E-67312	62216	12
1030 30 000010 0	662 101 241	KP-E-67310	62016	10
1030 30 000011 0	662 101 304	KP-E-67308	62816	8
		KP-E-67307	62716	7
		KP-E-67306	62616	6
<b>Flange</b>				
2031 10 000002 0	662 101 107	XA-E-52212	51238	12
2031 10 000003 0	662 101 120	XA-E-52210	51038	10
2031 10 000004 0	662 101 118	XA-E-52208	51838	8
		XA-E-52207	51738	7
		XA-E-52206	51638	6
<b>Pin</b>				
2108 10 000005 0	662 101 169	XA-E-51367	51042	
<b>Bolts M14x30</b>				
2088 10 000005 0	659 112 320			

2" (Ø 50 mm)

NEW	OLD			Plate thickness [mm]
SAF	GF*	HOLLAND	HOLLAND	
50S18	102 022	66	OLD	
<b>Kingpin, complete</b>				
1030 30 000012 0	662 102 604	KP-E-66216	62015	16
<b>Flange</b>				
2031 10 000009 0	662 102 207	XA-E-52016	51027	16
<b>Pin</b>				
2108 10 000006 0	662 102 022	XA-E-51266	51044	
<b>Bolts M20x50</b>				
2088 10 000006 0	662 102 208			

3,5" (Ø 90 mm)

NEW	OLD			Plate thickness [mm]
SAF	GF*	HOLLAND	HOLLAND	
90S18	102 021	63	OLD	
<b>Kingpin, complete</b>				
1030 30 000014 0	662 102 603	KP-E-63316	62011	16
<b>Flange</b>				
2031 10 000009 0	662 102 207	XA-E-52016	51027	16
<b>Pin</b>				
2108 10 000007 0	662 102 021	XA-E-51363	51010	
<b>Bolts M20x50</b>				
2088 10 000006 0	662 102 208			

2" (Ø 50 mm)

GF*	HOLLAND	HOLLAND	Plate thickness [mm]
102 020	64	OLD	
<b>Kingpin, complete</b>			
662 102 600	KP-E-64212	62124	12
662 102 601	KP-E-64210	62104	10
662 102 602	KP-E-64208	62804	8
662 102 630			6
<b>Flange</b>			
662 102 200	XA-E-52112	51240	12
662 102 201	XA-E-52110	51040	10
662 102 202	XA-E-52108	51840	8
662 102 227			6
<b>Pin</b>			
662 102 020	XA-E-51264	51063	
<b>Wheel stud</b>			
662 102 206			
<b>Flat range nut</b>			
662 102 211			
<b>Spring washer</b>			
662 102 212			

2" (Ø 50 mm)

GF*	HOLLAND	HOLLAND	Plate thickness [mm]
101 052		OLD	
<b>Pin</b>			
662 101 052			12
<b>Mounting</b>			
659 112 336			
659 115 122			

3.5" (Ø 90 mm)

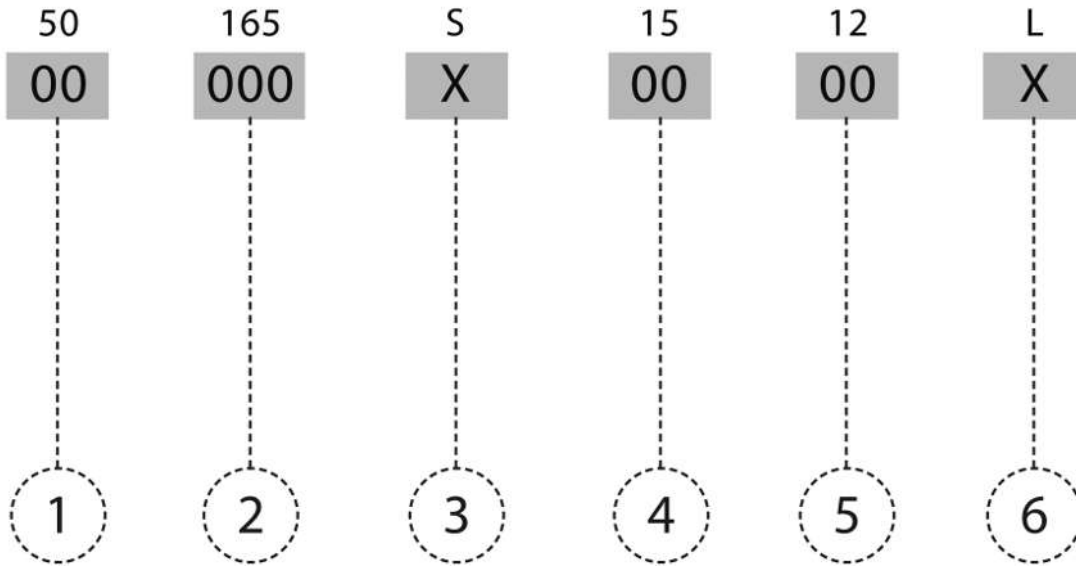
GF*	HOLLAND	HOLLAND	Plate thickness [mm]
101 083		OLD	
<b>Pin</b>			
662 101 083			16
<b>Mounting</b>			
659 112 341			
659 115 123			

2" (Ø 50 mm)

GF* 101 055	HOLLAND	HOLLAND OLD	Plate thickness [mm]
<b>Kingpin, complete</b>			
662 101 057			12
662 101 171			10
662 101 074			8
<b>Bushing</b>			
662 101 056			12
662 101 172			10
662 101 073			8
<b>Pin</b>			
662 102 055			
<b>Washer</b>			
659 120 236			
<b>Castellated nut M56x2</b>			
659 115 208			
<b>Cotter pin</b>			
659 130 023			

\* No Type approval. No longer available.

## TYPE MARKING



This example is a description of the type marking. The letters are marked with an “X” and the numbers with “0”.

1	<b>SIZE</b> 50 = 2 inches / 90 = 3.5 inches
2	<b>D-VALUE</b> 165 = 165 kN / 320 = 320 kN
3	<b>ATTACHMENTS</b> S = with bolts
4	<b>PITCH CIRCLE DIAMETER</b> 15 = 150 mm / 18 = 180 mm
5	<b>SEMI-TRAILER SKID-PLATE THICKNESS</b> 06 = 6 mm / 08 = 8 mm / 10 = 10 mm / 12 = 12 mm / 16 = 16 mm
6	<b>MARKING SPEC. TYPES</b> L = steering



SAF kingpins may be installed using appropriate flanges from Georg Fischer +GF+ and HOLLAND.

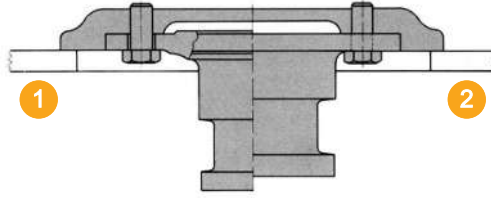
Type		Fifth wheel skid plate	Type approval
50165S1506	50S15	6 mm	E1 55R – 01 2289
50165S1508		8 mm	
50165S1510		10 mm	
50165S1512		12 mm	
90165S1508	90S15	8 mm	E1 55R – 01 2371
90165S1510		10 mm	
90165S1512		12 mm	
50165S1816	50S18	16 mm	E1 55R – 01 2418
90320S1816	90S18	16 mm	E1 55R – 01 2426



- Installation must be carried out in accordance with SAF-HOLLAND mounting and operating instructions, plus all applicable national regulations (e.g. in Germany StVZO).
- After dismantling, original SAF-HOLLAND screws must always be used for re-mounting.
- The permissible load limit (D-value) is valid for normal road traffic and under conditions prevailing in Europe. Please consult us in the event of any deviations from this.

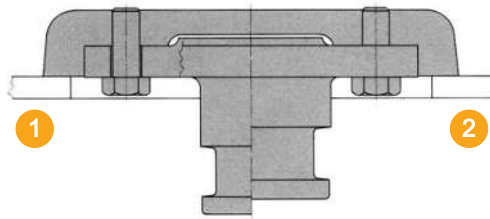


## OVERVIEW OF PRODUCT RANGE



1 SAF 50S15  
2"

2 SAF 90S15  
3,5"



1 SAF 50S18  
2"

2 SAF 90S18  
3,5"

## TYPE 50S15

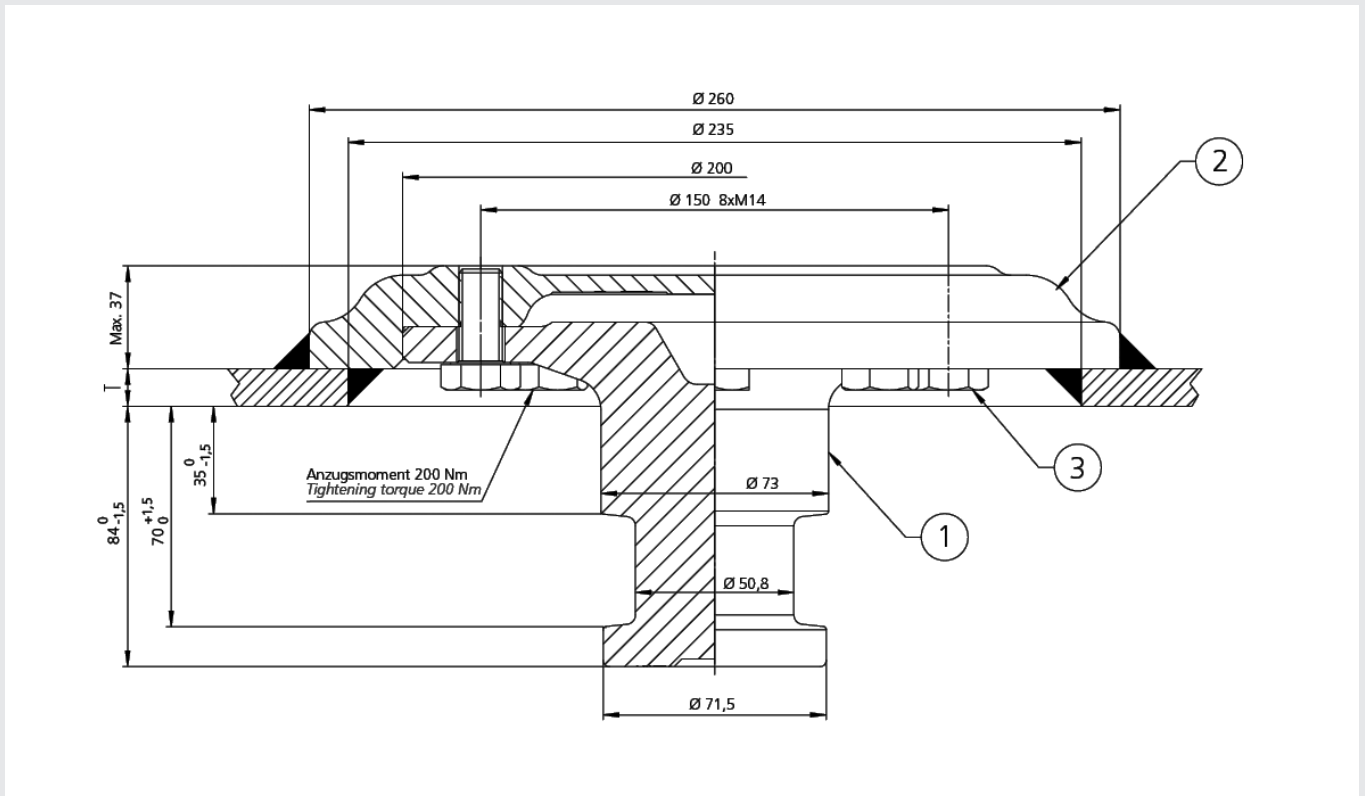


- Diameter (Inch): 2
- Mounting: bolted flange
- Type: flanged
- Pitch circle diameter (mm): 150
- D-value (kN): 165
- Weight (kg): 12.5

### TYPE APPROVAL:

- ECE type approval no.: E1 55R-01 2289

## DIMENSIONS



- Tightening torque SAF kingpin: 200 Nm

## TECHNICAL DATA

Item	Component	Nominal [Inch]	Plate thickness a [mm]	Plate thickness b [mm]	Colour code	Order no.
KZ	King pin cpl.	2	6	35 +2/-0		1030300000050
KZ	King pin cpl.	2	8	35 +2/-0	white	1030300000040
KZ	King pin cpl.	2	10	33 +2/-0	blue	1030300000030
KZ	King pin cpl.	2	12	33 +2/-0	yellow	1030300000020
1	King pin - Kit	2				662101109K
2	Mounting flange		6	35 +2/-0		2031100000050
2	Mounting flange		8	35 +2/-0	white	2031100000040
2	Mounting flange		10	33 +2/-0	blue	2031100000030
2	Mounting flange		12	33 +2/-0	yellow	2031100000020
3	Screw M14x30 (8 pcs. per kingpin)					2088100000050

- Kingpins can be replaced from below
- With fitting option of pin (3½“) no. 662 101 169K
- Note: Self-locking bolts may only be used once

## TYPE 50S15L

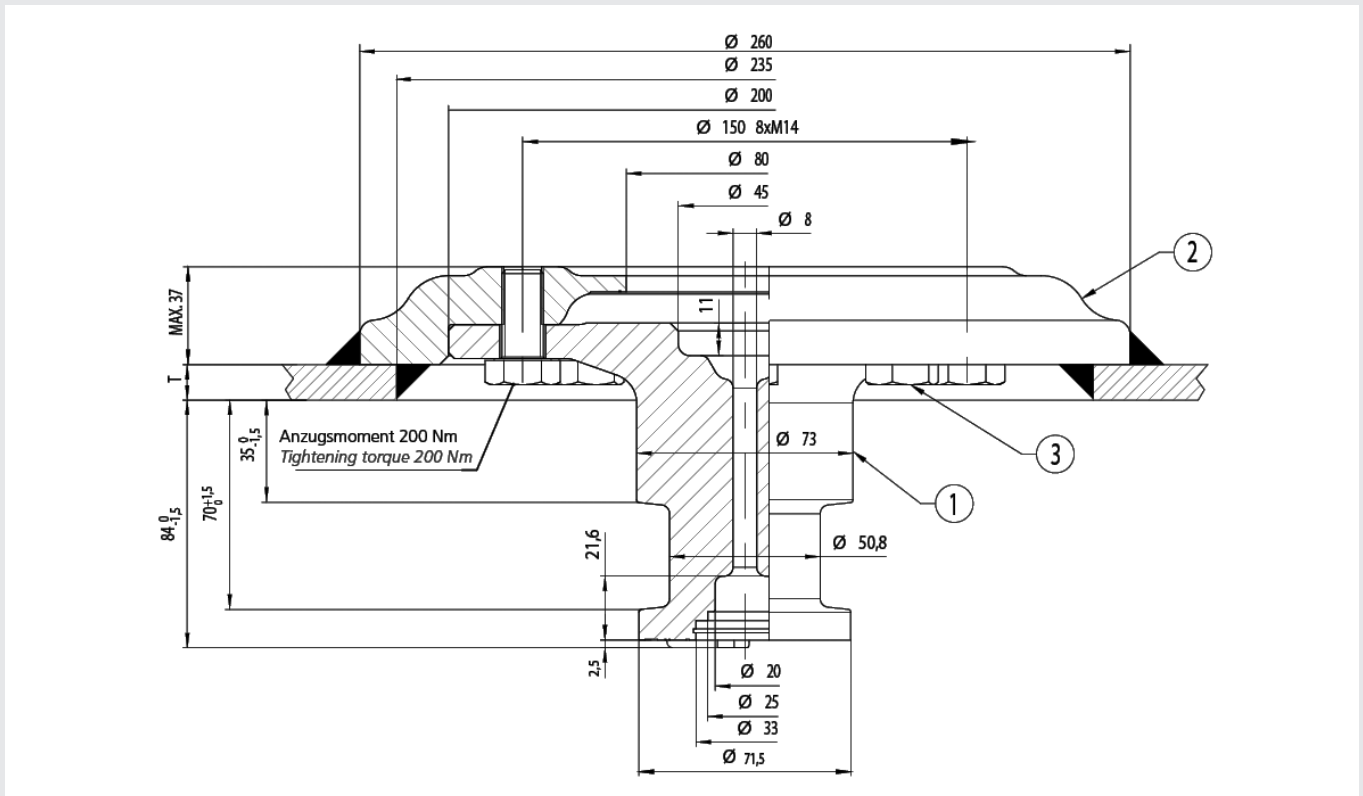


- Diameter (Inch): 2
- Pitch circle diameter (mm): 150
- D-value (kN): 165
- Weight (kg): 12

### TYPE APPROVAL:

- ECE type approval no.: E1 55R-01 2422

## DIMENSIONS



## TECHNICAL DATA

Item	Component	Nominal [Inch]	Plate thickness [mm]	Order no.
KZ	King pin cpl.	2	12	1030300000320
KZ	King pin cpl.	2	10	1030300000330
KZ	King pin cpl.	2	8	1030300000340
1	King pin - Kit	2		2108300000250
2	Mounting flange		12	2031100000060
2	Mounting flange		10	2031100000070
2	Mounting flange		8	2031100000100
3	Screw M14x30 (8 pcs. per kingpin)			2088100000050

- Note: Self-locking bolts may only be used once

## TYPE 90S15



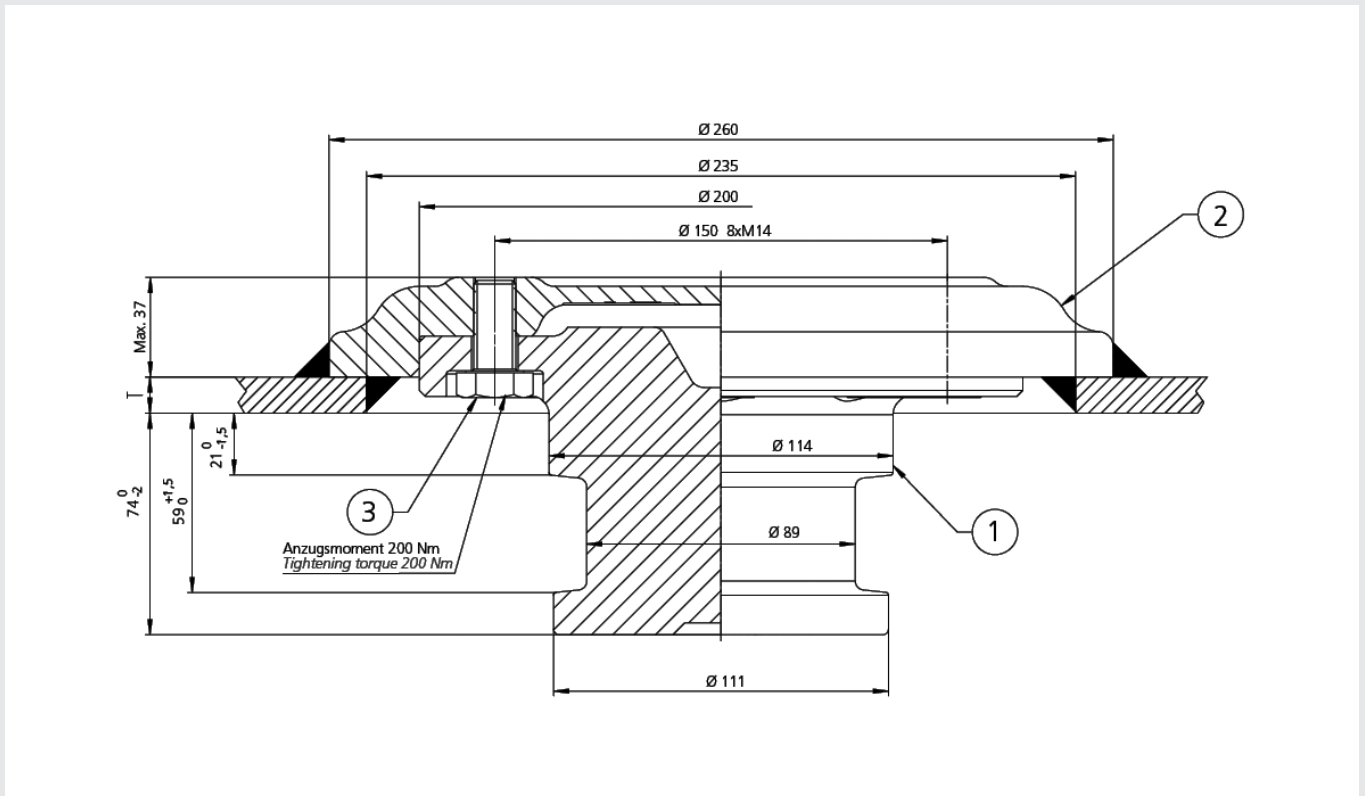
- Diameter (Inch): 3½
- Mounting: bolted flange
- Type: flanged
- Pitch circle diameter (mm): 150
- D-value (kN): 165
- Weight (kg): 17.0

### TYPE APPROVAL:

- ECE type approval no.: E1 55R-01 2371



## DIMENSIONS



- Tightening torque SAF kingpin: 200 Nm

## TECHNICAL DATA

Item	Component	Nominal [Inch]	Plate thickness a [mm]	Flange height b [mm]	Colour code	Order no.
KZ	King pin cpl.	3.5	8	35 +2/-0	white	1030300000110
KZ	King pin cpl.	3.5	10	33 +2/-0	blue	1030300000100
KZ	King pin cpl.	3.5	12	33 +2/-0	yellow	1030300000090
1	King pin - Kit	3.5"				662101169K
2	Mounting flange		8	35 +2/-0	white	2031100000040
2	Mounting flange		10	33 +2/-0	blue	2031100000030
2	Mounting flange		12	33 +2/-0	yellow	2031100000020
3	Screw M14x30 (8 pcs. per kingpin)					2088100000050

- Kingpins can be replaced from below
- With fitting option of pin (2") no. 662 102 109K
- Note: Self-locking bolts may only be used once

## TYPE 90S15L

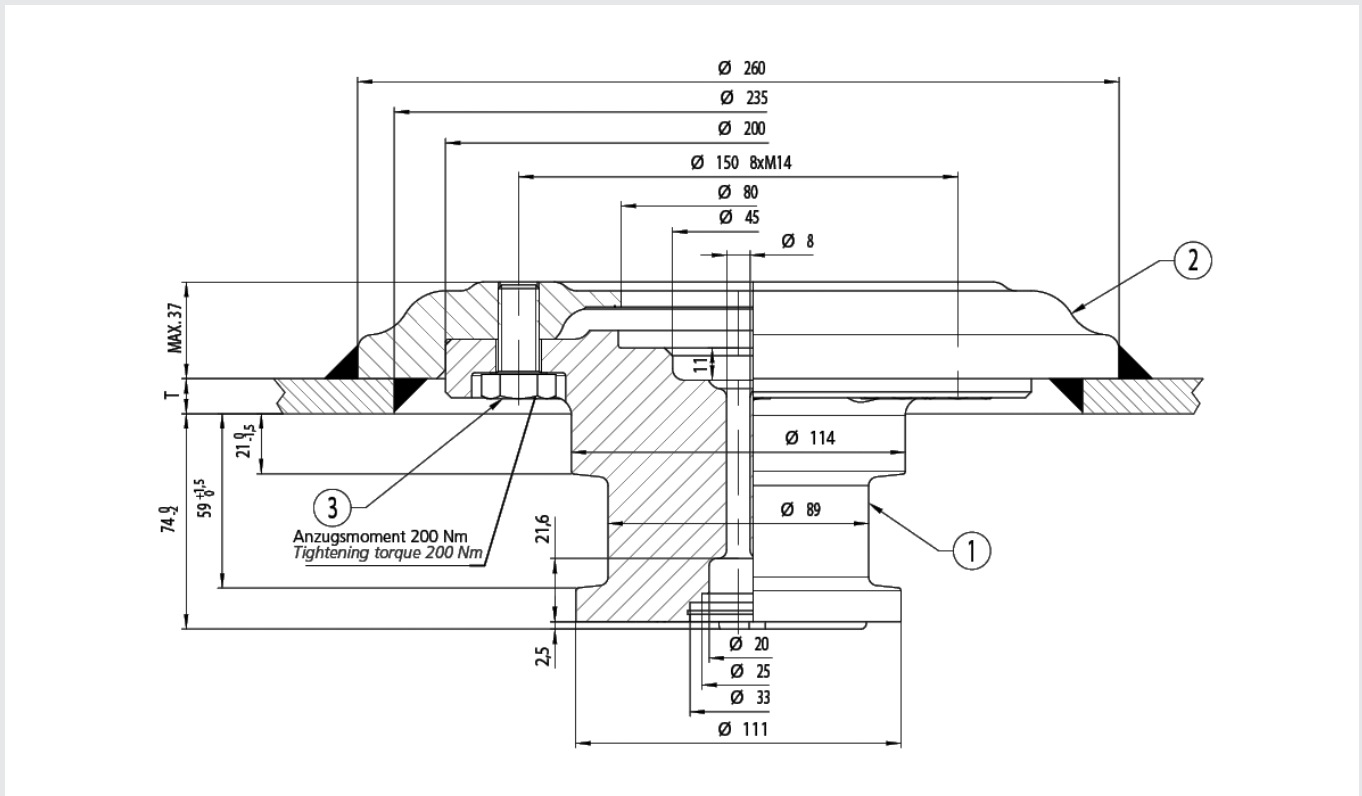


- Diameter (Inch): 3½
- Pitch circle diameter (mm): 150
- D-value (kN): 165
- Weight (kg): 15.9

### TYPE APPROVAL:

- ECE type approval no.: E1 55R-01 2421

## DIMENSIONS



## TECHNICAL DATA

Item	Component	Nominal [Inch]	Plate thickness [mm]	Order no.
KZ	King pin cpl.	3.5	12	103030000060
KZ	King pin cpl.	3.5	10	103030000070
KZ	King pin cpl.	3.5	8	103030000130
1	King pin - Kit	3.5		210830000260
2	Mounting flange		12	203110000060
2	Mounting flange		10	203110000070
2	Mounting flange		8	203110000100
3	Screw M14x30 (8 pcs. per kingpin)			208810000050

- Note: Self-locking bolts may only be used once

## TYPE 50S18



165 kN



175 kN

- Diameter (Inch): 2
- Mounting: bolted flange
- Type: flanged
- Pitch circle diameter (mm): 180
- D-value (kN): 165
- Weight (kg): 27.5

### TYPE APPROVAL:

- ECE type approval no.: E1 55R-01 2418



## TYPE 50S18L



165 kN



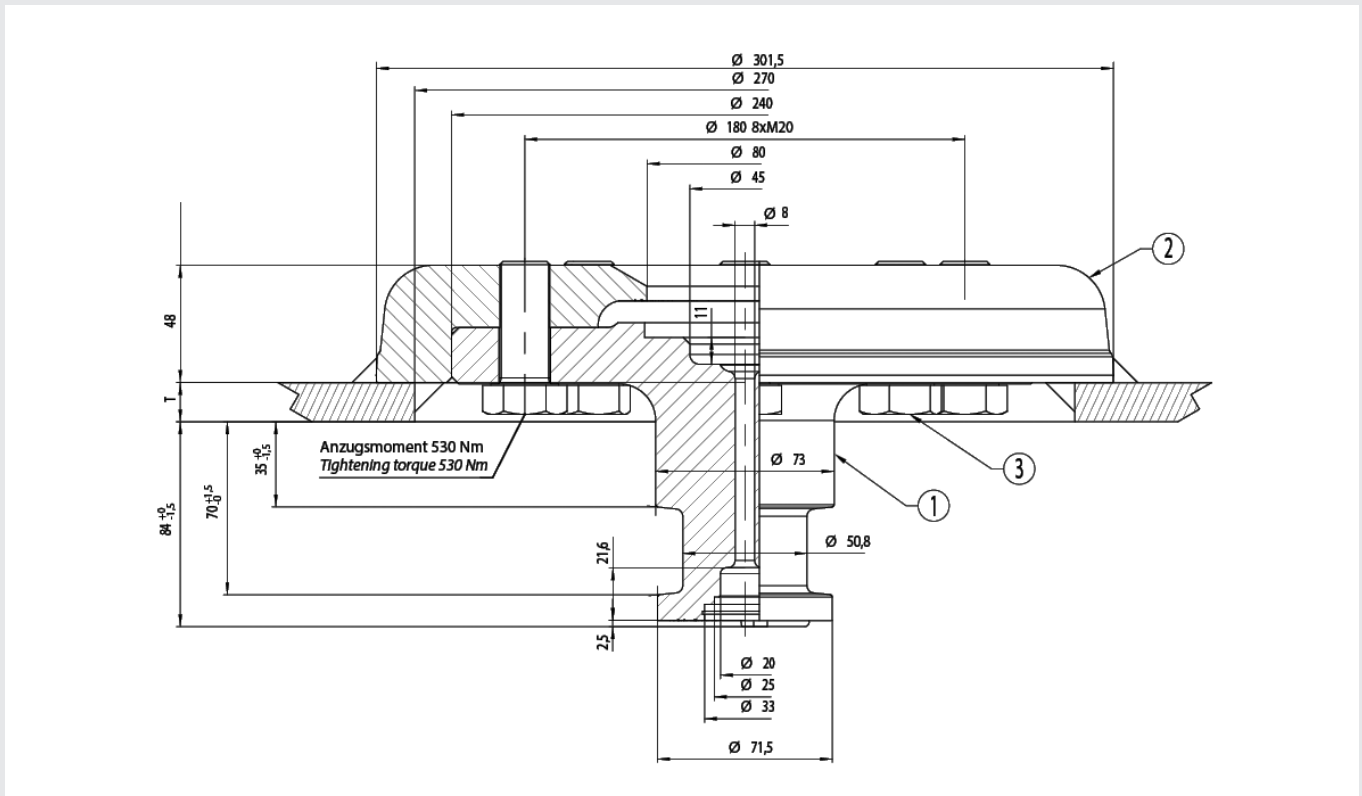
175 kN

- Diameter (Inch): 2
- Pitch circle diameter (mm): 180
- D-value (kN): 165 / 175
- Weight (kg): 27

### TYPE APPROVAL:

- ECE type approval no.: E11 55R-01 2428

## DIMENSIONS



## TECHNICAL DATA

Item	Component	Nominal [Inch]	Plate thickness [mm]	Order no.
<b>165 kN</b>				
KZ	King pin cpl.	2	16	103030000080
1	King pin - Kit	2		2108300000270
2	Mounting flange		16	2031100000080
3	Screw (8 Pcs.)			2088100000060
<b>175 kN</b>				
KZ	King pin cpl.	2	16	1030300000410
1	King pin - Kit	2		2108300000280
2	Mounting flange		16	2031100000080
3	Screw (8 Pcs.)			2088100000060

- Note: Self-locking bolts may only be used once

## TYPE 90S18



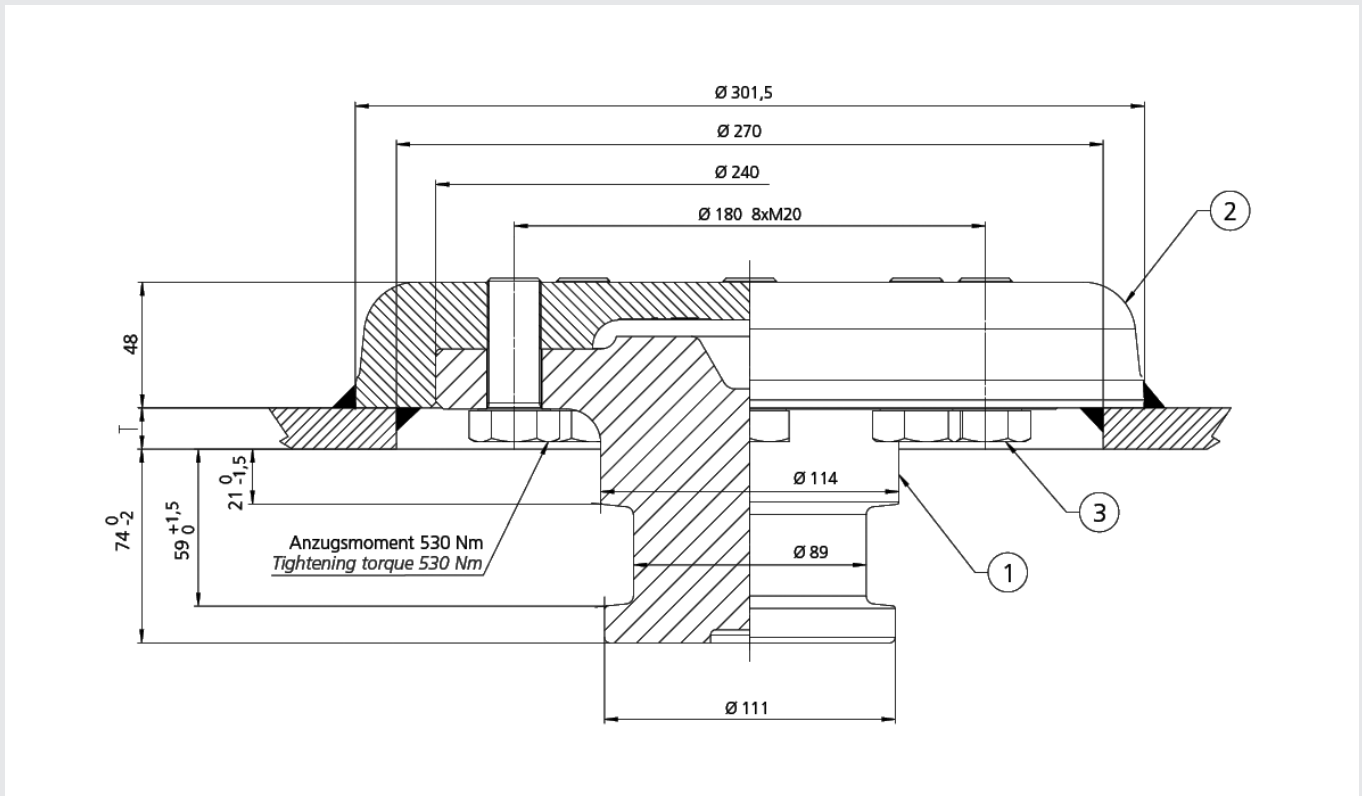
- Diameter (Inch): 3½
- Mounting: bolted flange
- Type: flanged
- Pitch circle diameter (mm): 180
- D-value (kN): 320
- Weight (kg): 30.7

### TYPE APPROVAL:

- ECE type approval no.: E1 55R-01 2426



## DIMENSIONS



## TECHNICAL DATA

Item	Component	Nominal [Inch]	Plate thickness a [mm]	Flange height b [mm]	Order no.
KZ	King pin - Kit	3.5	16	48	1030300000140
1	King pin - Kit	3.5			662102021K
2	Mounting flange		16	48	2031100000090
3	Screw M20x50 (8 pcs. per kingpin)				2088100000060

- Kingpins can be replaced from below
- With fitting option of pin (2") no. 662 102 022K
- Note: Self-locking bolts may only be used once

## TYPE 90S18L

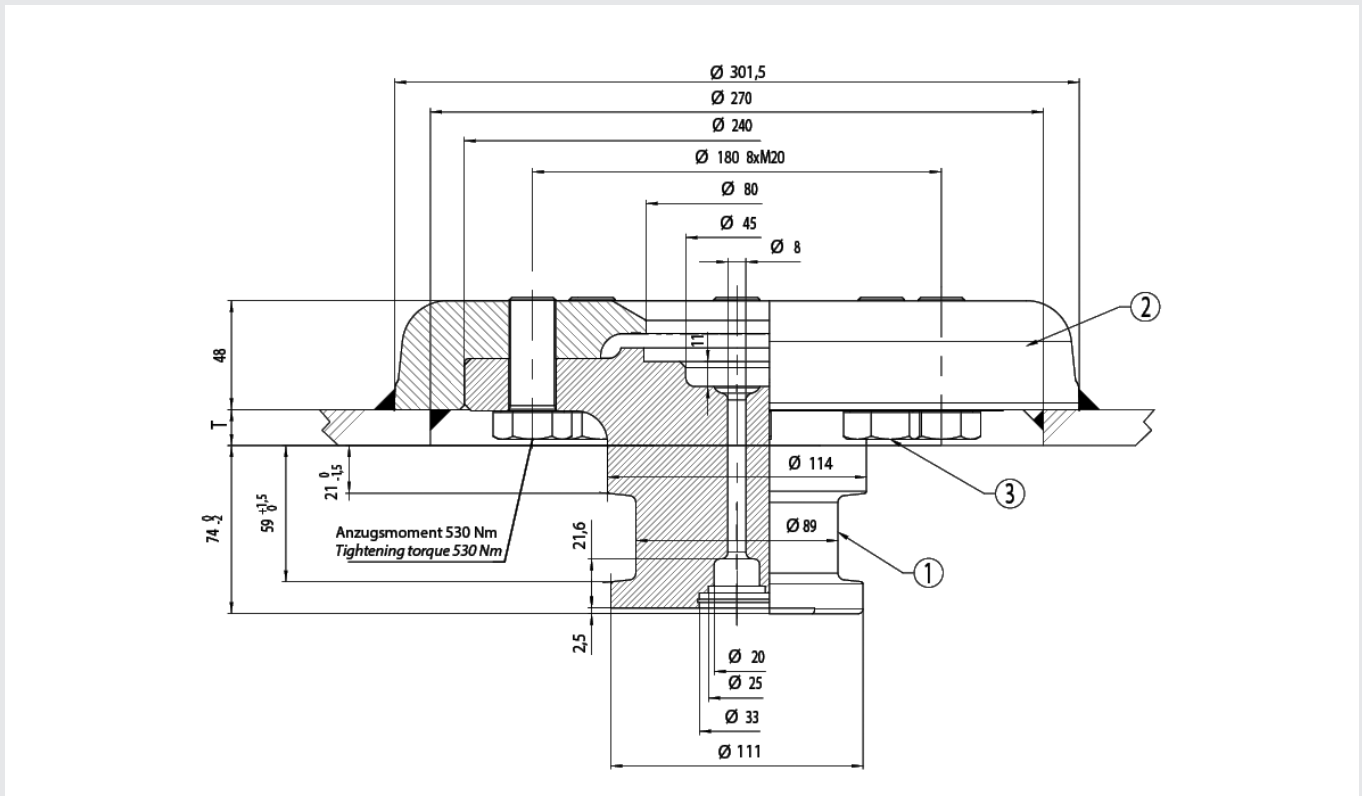


- Diameter (Inch): 3½
- Pitch circle diameter (mm): 180
- D-value (kN): 320
- Weight (kg): 30.3

### TYPE APPROVAL:

- ECE type approval no.: E1 55R-01 2425

## DIMENSIONS



## TECHNICAL DATA

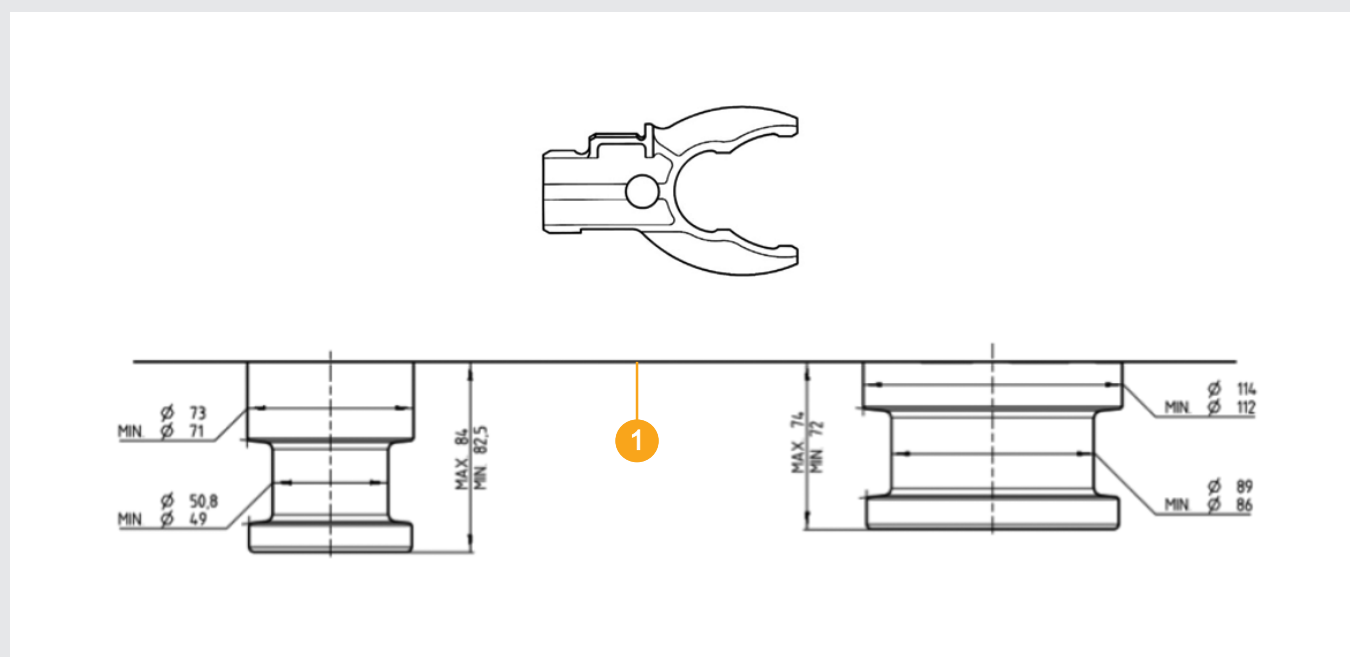
Item	Component	Nominal [Inch]	Plate thickness [mm]	Order no.
KZ	King pin cpl.	3.5	16	1030300000350
1	King pin - Kit	3.5		2108300000290
2	Mounting flange	3.5	16	2031100000080
3	Screw M20x50 (8 pcs. per kingpin)			2088100000060

- Note: Self-locking bolts may only be used once

## REFERENCE GAUGE

If the readings are lower than the limits shown here, the kingpins or wear rings must be replaced by original SAF-HOLLAND parts.

### DIMENSIONS

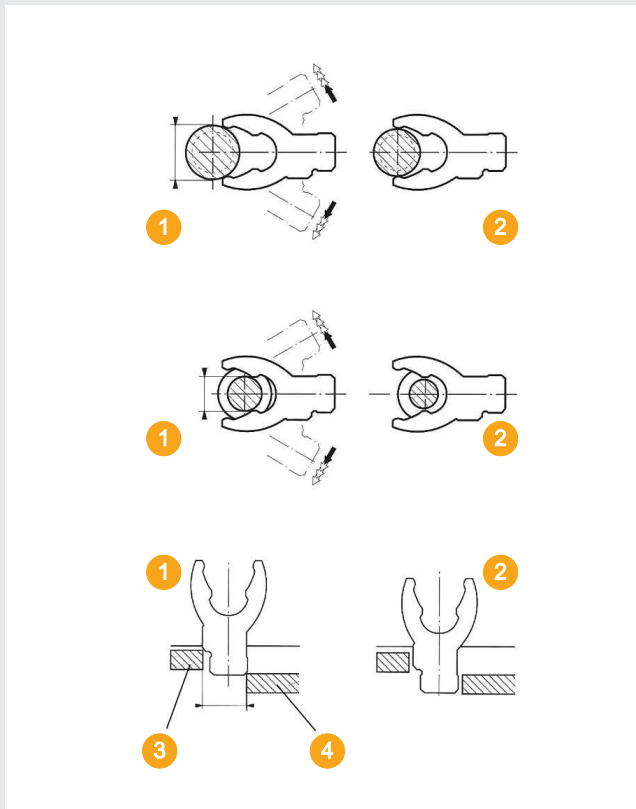


1 Lower edge of semi-trailer plate

### TECHNICAL DATA

Type	Nominal [Inch]	Dimensions [mm]	Weight [kg]	Order no.
Reference gauge	2	166x108mm	0,155	659920032
Reference gauge	3.5	222x149mm	0,442	659920033

## OPERATION INSTRUCTIONS



1 o.k.	3 Wear ring
2 Replace	4 Coupler jaw

The gauge surfaces may not slide over the SAF-HOLLAND kingpins. Measure lengthways and crossways, as well as at various heights.

After performing these checks, thoroughly coat the semi-trailer plate and the kingpin as well as the top of the fifth wheel plate, the locking mechanism and the wear ring, using a long life, high pressure grease with molybdenum or graphite additive. At short intervals, but at least at every lubrication servicing of the semi-trailer tractor, the fifth wheel, semi-trailer plate and the kingpin must be recoated with lubricant.

The reference gauge should not be able to slide into the closed fifth wheel locking mechanism from above. Measure lengthways and crossways.

## SAFETY INSTRUCTIONS

Before hitching and especially before attaching the semi-trailer for the first time and after each lubrication, ensure that the locking mechanism of the fifth wheel is in the “hitching” position.

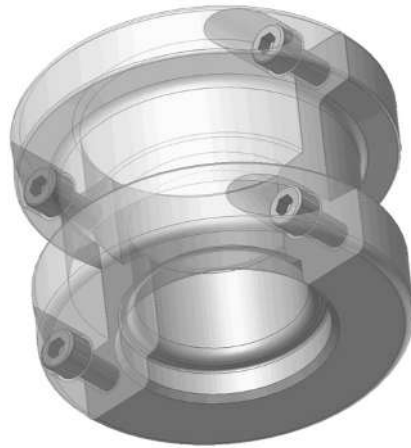
After hitching by attaching the carabiner hook or by setting the safety lever (with automatic locking), check whether the locking mechanism is completely closed.

After hitching the fifth wheel

- with carabiner hook: attach it
- with automatic latch: check whether it is engaged and the cam does not protrude next to the operating handle.

**Important:** Perform PULL TEST in a low gear.

## KINGPIN ADAPTOR 2" TO 3½"

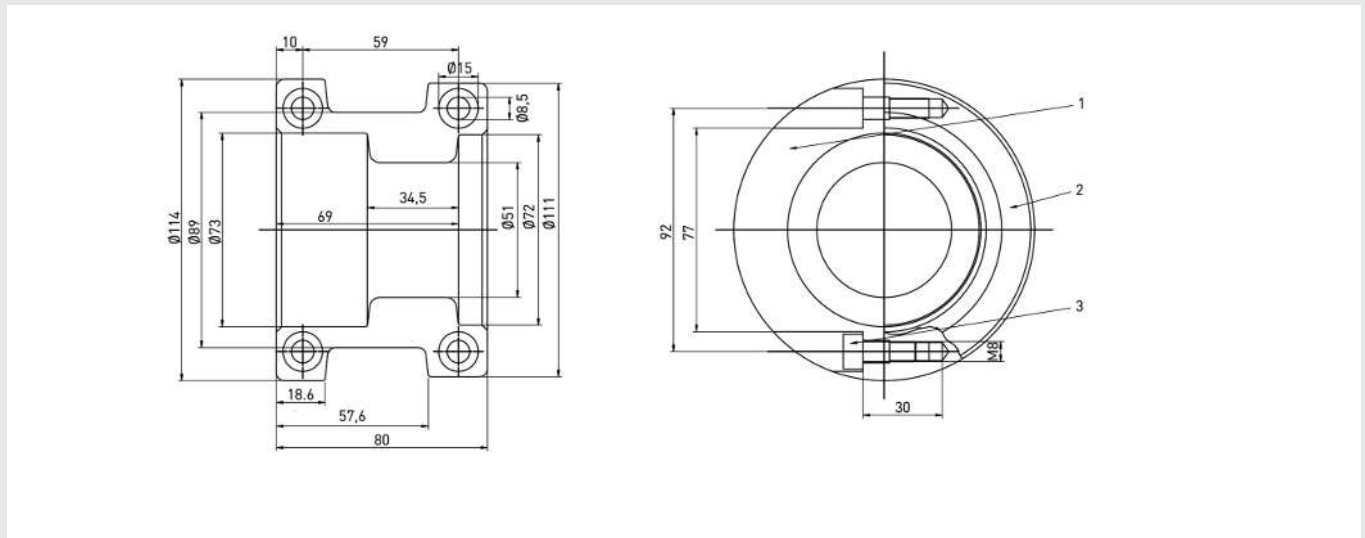


- Kingpin adaptor to couple a 2" kingpin on a 3½" fifth wheel
- The D-value of the 2" kingpin remains unchanged
- Kingpin is not included when ordering the adaptor
- **Important:**  
The adaptor is suitable for temporary use on private sites only, e.g. on non public park grounds or for short tow runs.

## TECHNICAL DATA

Item	Type	Note	Pcs.	Order no.
1-3	King pin - adaptor 2"->3.5"	incl. screws	1	662101100

## DIMENSIONS









# BALL RACES

MOUNTED PARTS FOR DRAWBAR TRAILERS AND  
AGRICULTURAL VEHICLES

## SAF BALL RACES FOR TURNTABLE DRAWBAR TRAILERS

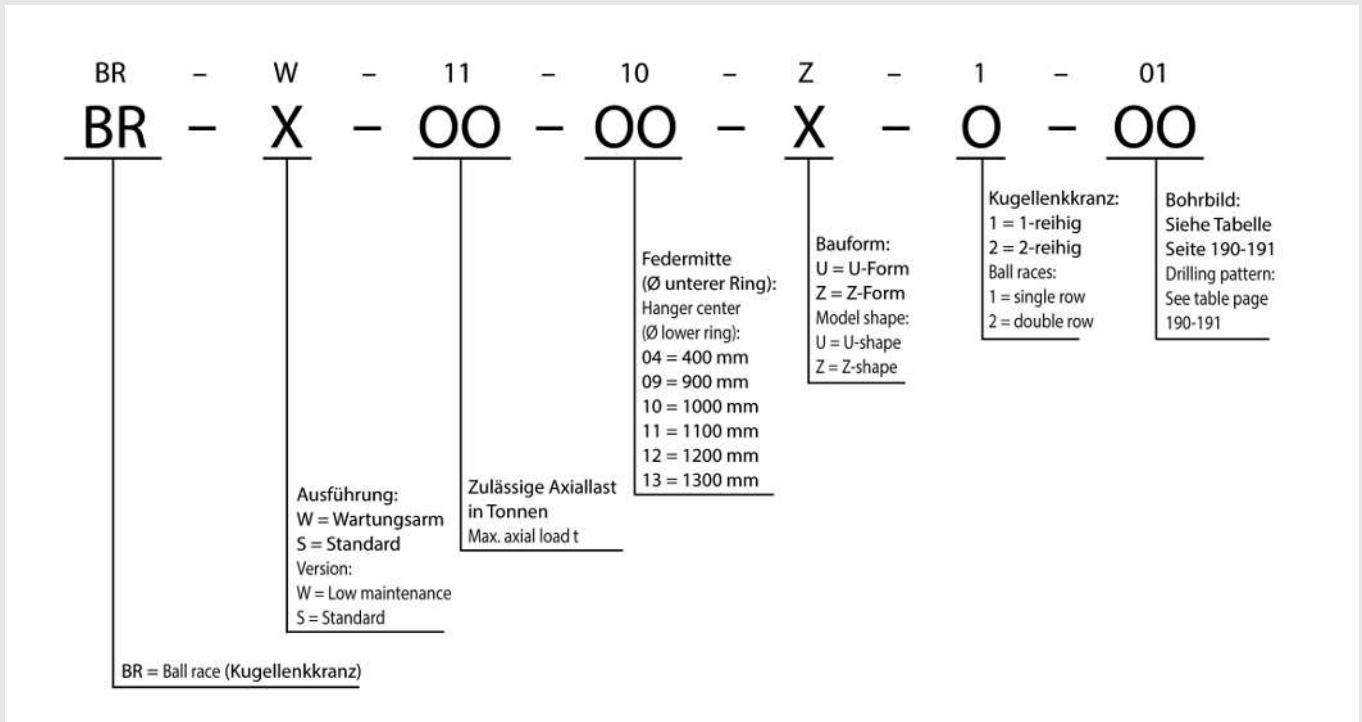


### SINGLE ROW BALL RACES LOW MAINTENANCE

The low maintenance ball race series BR-W enjoy a low maintenance life cycle of up to 3 years or 300,000 km. After that period they are to be serviced in the same way as standard ball races.

### TECHNICAL DATA

- The specifications are nominal dimensions and are subject to the tolerances at our works.
- Ball races from SAF-HOLLAND are suitable for the installation on the front axle of 2- and 3-axle drawbar trailers with a max. permissible speed of 105 km/h (65mph).
- On 2-axle-trailers the specified axle loads can be exceeded by 10 %, at speeds below 30 km/h (18 mph) by 20 %.
- When using ball races with forced steering systems, please find out the maximum permissible load data.
- All data applies for operation on paved roads as typical in Western Europe.
- 4 or 2 lubrication points supplied via grease nipple



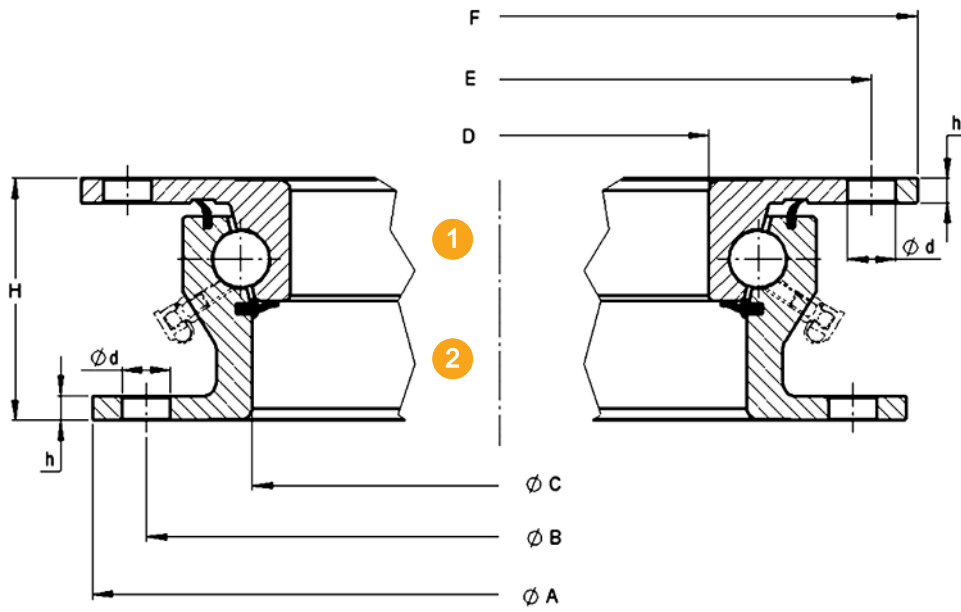
## SURFACE COATING

- surface: static liquid coating, colour RAL 9005, with good corrosion protection
- no need for the vehicle manufacturer to provide additional coating

### NOTE:

If the turntable is re-coated, the sealing lip may stick to the ring or partially separate from its groove.

Corrective action: e.g. mask the sealing lips before re-coating.



- 1 Upper Ring
- 2 Lower Ring

- |                             |                             |
|-----------------------------|-----------------------------|
| A Outer diameter            | D Inner diameter            |
| B Drilling pattern diameter | E Drilling pattern diameter |
| C Inner diameter            | F Outer diameter            |

## TECHNICAL DATA - SINGLE ROW BALL RACES

Type	Drilling pattern	axial load kN	A mm	B mm	C mm	D mm	E mm	F mm	d mm	h mm	H mm	Weight kg	Order no.	replaces
BR-W-8-10-U-1-00	-	80	1000	n.a.	881	853	n.a.	1008	n.a.	9	90	64	1038300000010	662106100 / 662106110
BR-W-10-10-U-1-00	-	100	1000	n.a.	881	853	n.a.	1008	n.a.	9	90	64	1038300000020	662106120 / 662106130
BR-W-10-11-U-1-01	1	100	1100	1060	981	953	1074	1108	18	9	90	71	1038300000030	662106140 / 662106150
BR-W-12-11-U-1-01	1	120	1100	1060	981	953	1074	1108	18	9	90	71	1038300000040	662106160 / 662106170
BR-W-13-12-U-1-01	1	130	1200	1160	1081	1053	1174	1208	18	9	90	78	1038300000050	662106180 / 662106190
BR-W-14-13-U-1-01	1	140	1300	1260	1181	1153	1274	1308	18	9	90	84	1038300000060	
BR-W-14-13-U-1-00	-	140	1300	n.a.	1181	1153	n.a.	1308	n.a.	9	90	84	1038300000120	
BR-W-14-13-U-1-02	2	140	1300	1260	1181	1153	1274	1308	18	9	90	84	1038300000130	
BR-W-14-13-U-1-07	7	140	1300	1260	1181	1153	1274	1308	18	9	90	84	1038300000140	
BR-S-06-10-Z-1-00	-	60	955	n.a.	813	750	n.a.	885	n.a.	9	60	53	1038300000180	662106200
BR-S-06-10-Z-1-03	3	60	955	920	813	750	780	885	15	9	60	52	1038300000190	662106220
BR-S-07-11-Z-1-00	-	70	1100	n.a.	953	890	n.a.	1026	n.a.	9	60	65	1038300000200	662106240
BR-S-07-11-Z-1-03	3	70	1100	1070	953	890	920	1026	15	9	60	64	1038300000210	662106260
BR-S-01-04-Z-1-00	-	140	400	n.a.	283	216	n.a.	339	n.a.	7	52	11	1038300000220	662106280
BR-W-16-11-U-1-01	1	981	1100	1060	981	953	1074	1108	18	9	90	70	1038300000230	662106300
BR-W-14-13-U-1-03	3	140	1300	1260	1181	1153	1274	1308	18	9	90	84	1038300000370	
BR-W-13-12-U-1-09	S(*)	130	1200	1170	1081	1053	1180	1208	17	9	90	82	1038300000850	

All dimensions specifications are nominal dimensions

Further versions on request

(\*) – special drilling pattern

contact Application Engineering for more information

## TECHNICAL DATA — DOUBLE ROW BALL RACES

Type	Drilling pattern	axial load kN	A mm	B mm	C mm	D mm	E mm	F mm	d mm	h mm	H mm	Weight kg	Order no.	replaces
BR-S-16-10-U-2-S(*)	S(*)	160	987	952,5	872	832	965,2	1000	17	11	90	83	1038300000240	
BR-S-20-11-U-2-S(*)	S(*)	200	1095	1060	972	932	1074	1102	17	11	90	95	1038300000250	
BR-S-16-10-U-2-01	1	160	994	n.a.	872	832	n.a.	1000	18	11	90	84	1038300000400	
BR-S-16-10-U-2-00	-	160	994	960	872	832	974	1000	n.v.	11	90	85	1038300000420	
BR-S-18-11-U-2-00	-	180	1094	n.a.	972	932	n.a.	1100	n.v.	11	90	95	1038300000440	
BR-S-20-12-U-2-00	-	200	1194	n.a.	1072	1032	n.a.	1200	n.v.	11	90	105	1038300000500	
BR-S-20-12-U-2-01	1	200	1194	1160	1072	1032	1174	1200	18	11	90	104	1038300000520	
BR-S-20-12-U-2-08	8	200	1194	1160	1072	1032	1174	1200	18	11	90	104	1038300000560	
BR-S-20-11-U-2-01	1	200	1095	1060	972	932	1074	1102	18	11	90	94	1038300000770	
BR-S-16-11-U-2-09	9	160	1095	1060	978	938	1070	1106	18	11	90	94	1038300000790	
BR-S-20-11-U-2-09	S(*)	200	1095	1064	978	938	1076	1106	18	11	90	94	1038300000800	
BR-S-20-12a-U-2-08	8	200	1195	1160	1080	1040	1174	1208	18	11	90	104	1038300000870	

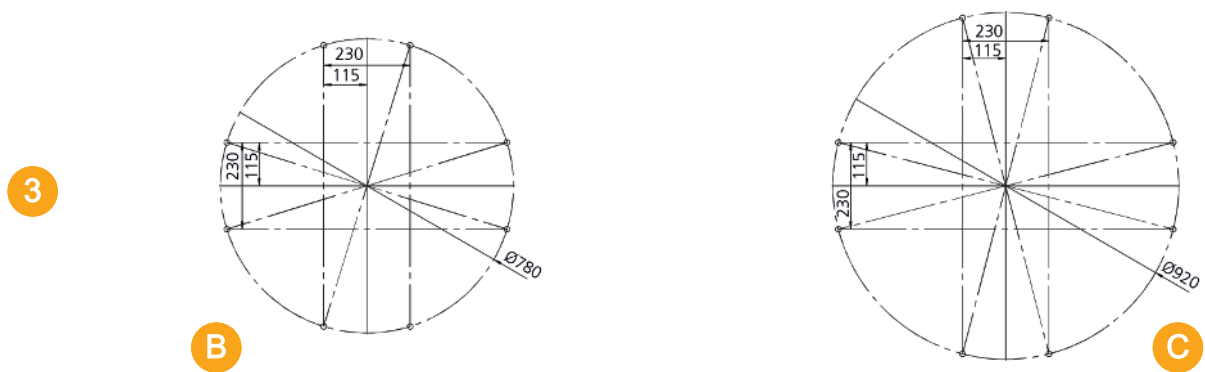
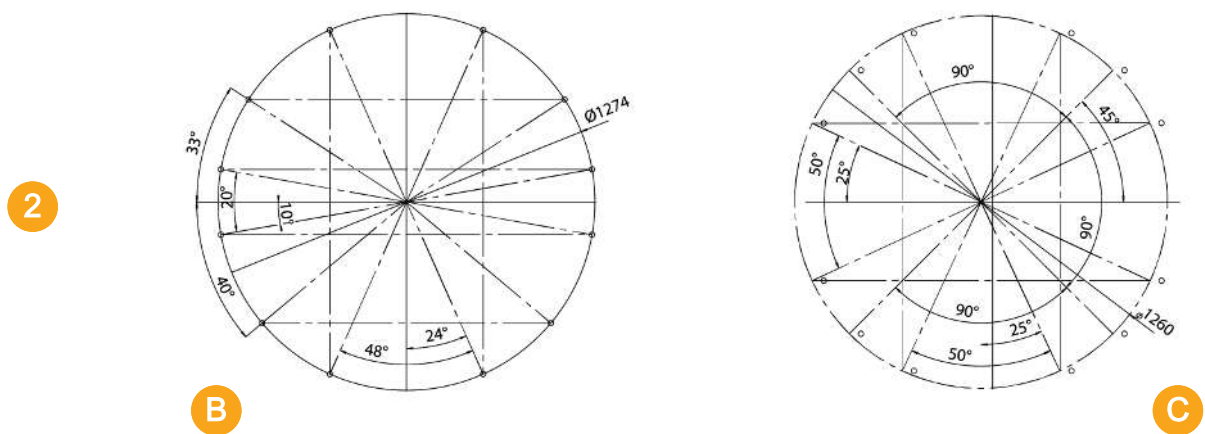
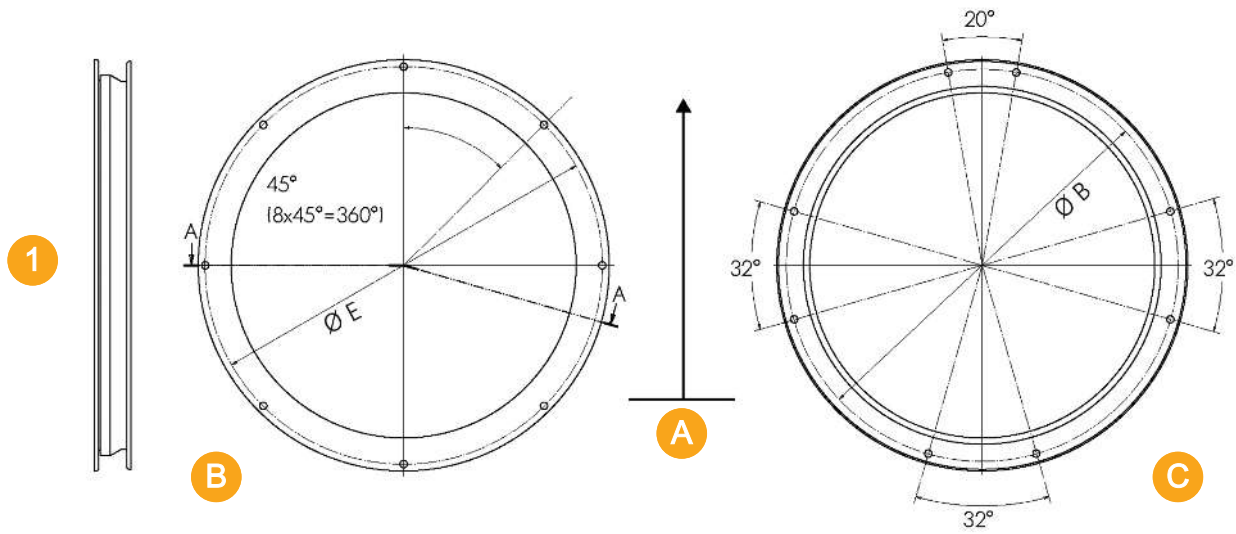
Further versions on request

All dimensions specifications are nominal dimensions

(\*) – special drilling pattern

contact Application Engineering for more information

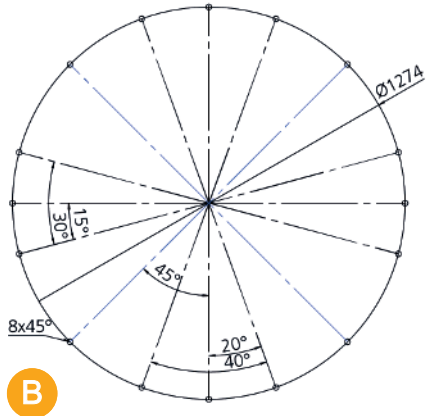
DRILLING PATTERNS



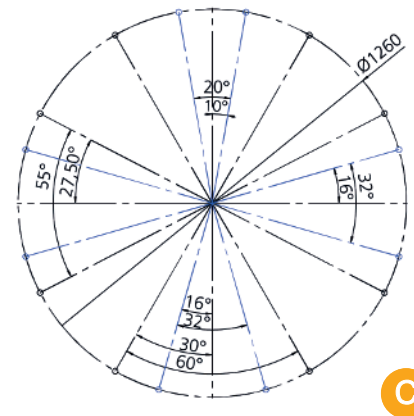
- 1 Drilling Pattern 1
- 2 Drilling Pattern 2
- 3 Drilling Pattern 3

- A Driving direction
- B Upper ring
- C Lower ring

7

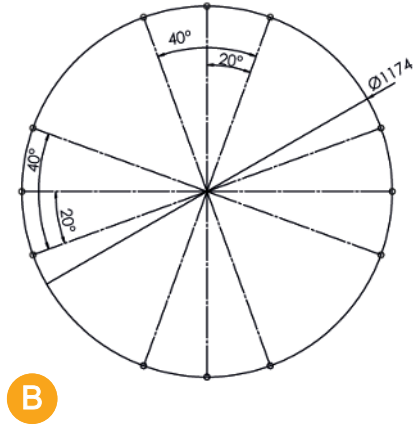


B

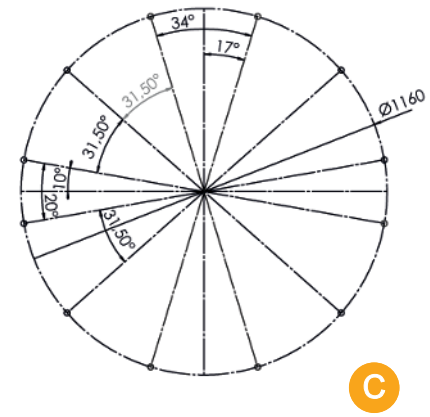


C

8



B



C

- 7 Drilling Pattern 7
- 8 Drilling Pattern 8

- B Upper ring
- C Lower ring





## CENTROLUBE

The CentroLube lubrication unit, when connected to the turntable, supplies lubricant to the entire ball race from a single lubrication point.

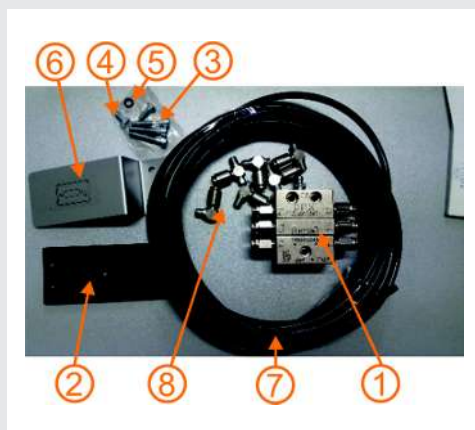
### Further advantages:

- all lubrication points are supplied evenly throughout operation
- reducing the maintenance time and improving safety
- environmentally friendly due to optimized adjustment of lubrication requirements

## CENTRAL LUBE SYSTEM

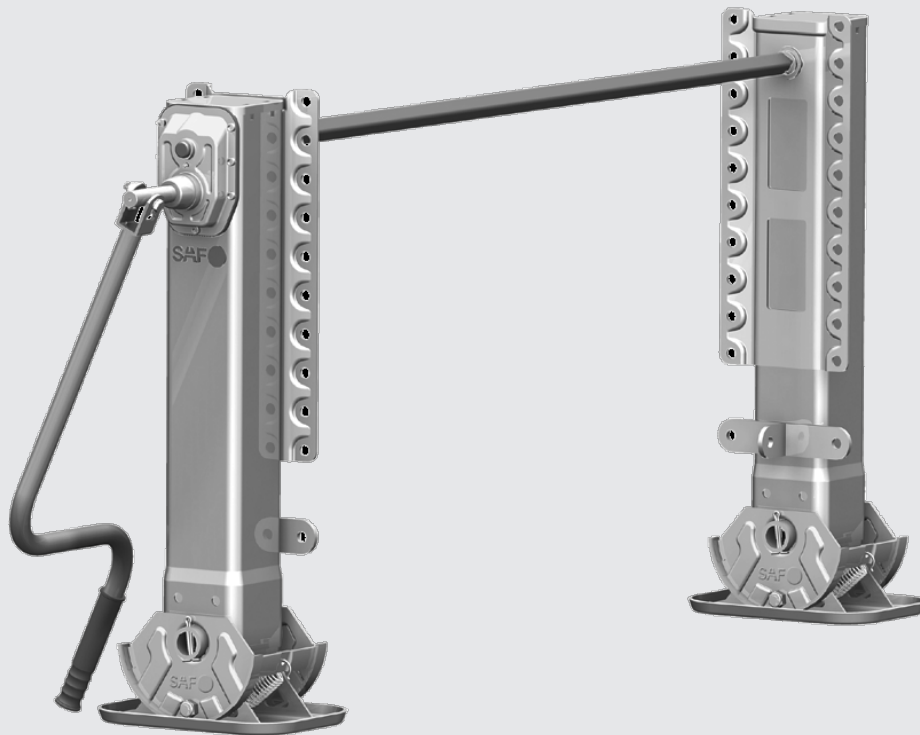
### Central lube system for ball races

Type	Order no.
quadruple	2110300000400
sextuple	2110300000370
eightfold	2110300000390
2 sextuple	2110300000410



Item	Description	Qty.
1	Progressive dispenser with 4, 6 or 8 ports	1
2	Mounting plate 120 x 50 x 5 mm	1
3	Socketed head cap screw M5 x 30 mm	3
4	Hexagonal screw M5 x 12 mm	2
5	Securing washer M5	2
6	Protection cover	1
7	Grease hose	1
8	Compression fittings	4, 6, 8, 12

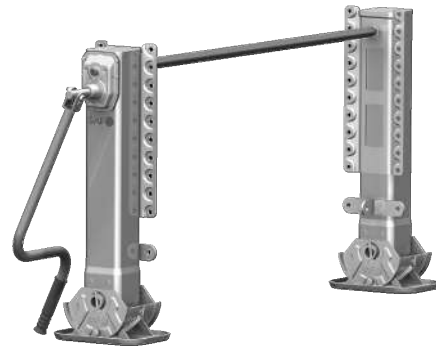




# SAF HERCULES AND DROP LEG LANDING GEAR

FOR CURTAINSIDERS, REFRIGERATED VEHICLES,  
TANKERS AND SILO TRAILERS, TIPPERS AND WALKING  
FLOOR TRAILERS, LOW-LOADER AND HEAVY DUTY  
TRANSPORTER

## SAF HERCULES



3 YEARS WARRANTY

### TRIED, TESTED AND APPRECIATED WORLDWIDE

High quality, cost-effectiveness and reliability combined with a very long service life – the reasons why landing gear from SAF-HOLLAND has an excellent international reputation.

Our landing gear is ideal for very different scenarios, from the icy cold of Scandinavia to the shimmering desert heat of the Middle East. Ease of use and fantastic functional reliability mean that little force is required, taking some of the strain of daily coupling and uncoupling.

### SAF 3D BACKPLATE

- Continuous 10-hole 3D backplate guarantees a variety of mounting options and facilitates the replacement of landing gear on the market

### SAF GEARBOX

- External, compact gearbox with low installation depth enables easy inspection when needed
- The impact-resistant gearbox with a special seal is suitable for use in harsh operating conditions
- Switch easily between high and low gear

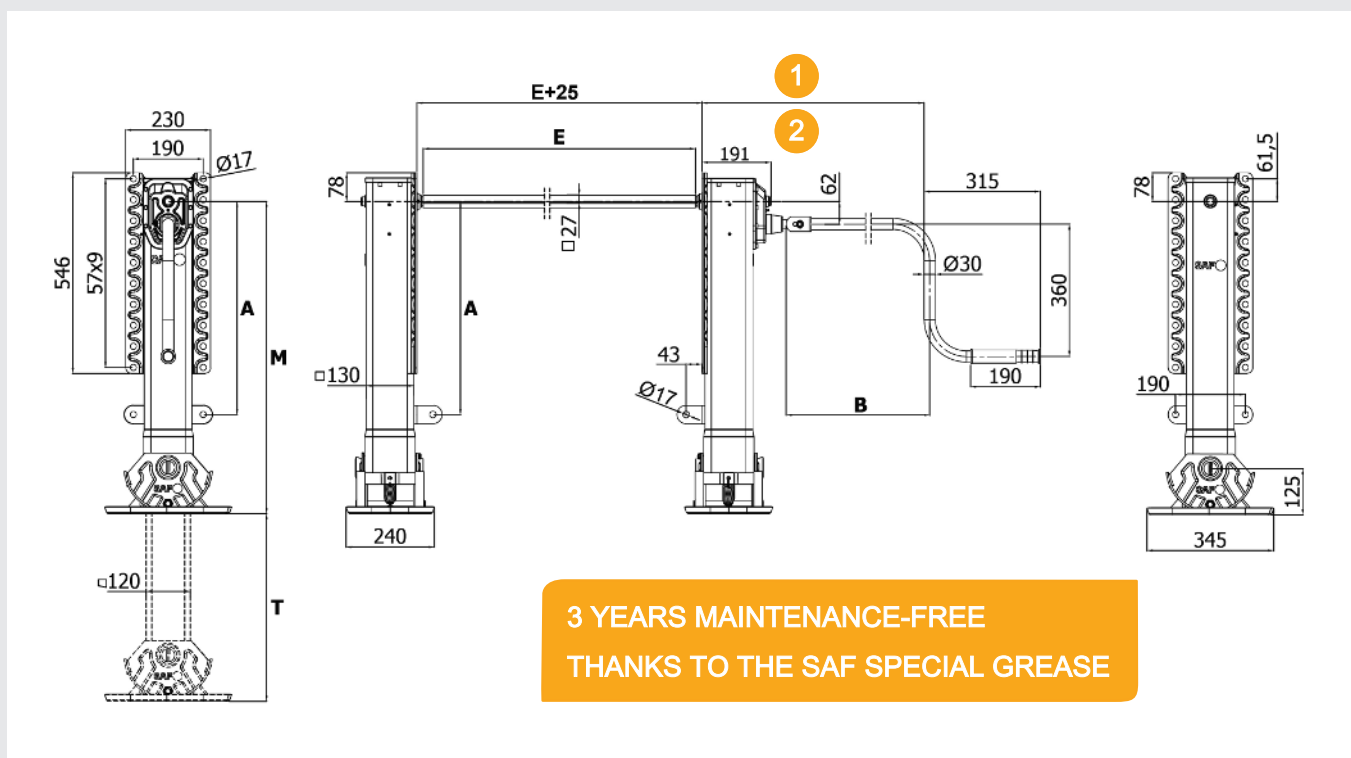
### ADDITIONAL ADVANTAGES

- Weight-optimised: Weight reduction per set 8 kg compared to the SAF TITAN Pro
- Special coating provides long-term protection against environmental factors and stone chipping
- Web-based spare part identification via QR code on the support legs

## TECHNICAL DATA

Lift capacity:	24.000 kg
Static load capacity:	50.000 kg
Lift in low gear:	1 mm per turn
Lift in high gear:	12 mm per turn

## DIMENSIONS



- 1 Low gear B+213
- 2 High gear B+229

## TECHNICAL DATA

### Foot-Kits

Type	Order no.
Compensating foot	03370100000
Compensating foot 650 + 700mm	02370100600
Sand shoe high	03370100100
Sand shoe low	03370100400
Return spring	01447007500

Further versions on request

## Hercules Landing Gear with Compensator

Name	Type	Height M [mm]	Hub T [mm]	A [mm]	M+T [mm]	Weight [kg]	Order no.
<b>Landing gear kit - Compensating foot</b>	<b>LGH S 85-51 F S</b>	<b>850</b>	<b>510</b>	<b>580</b>	<b>850-510</b>		<b>03389006100</b>
Landing gear compensating foot (gear box)	LGH G 85-51 F S	850	510		850-510	48,5	03389000200
Landing gear compensating foot	LGH O 85-51 F S	850	510		850-510	45,0	03389000100
<b>Landing gear kit - Compensating foot</b>	<b>LGH S 80-46 F S</b>	<b>800</b>	<b>460</b>	<b>530</b>	<b>800-460</b>		<b>03389006200</b>
Landing gear compensating foot (gear box)	LGH G 80-46 F S	800	460		800-460	46,9	03389000400
Landing gear compensating foot	LGH O 80-46 F S	800	460		800-460	43,3	03389000300
<b>Landing gear kit - Compensating foot</b>	<b>LGH S 75-41 F S</b>	<b>750</b>	<b>410</b>		<b>750-410</b>		<b>03389006300</b>
Landing gear compensating foot (gear box)	LGH G 75-41 F S	750	410		750-410	45,3	03389000600
Landing gear compensating foot	LGH O 75-41 F S	750	410		750-410	41,7	03389000500
<b>Landing gear kit - Compensating foot</b>	<b>LGH S 70-40 F S</b>	<b>705</b>	<b>400</b>		<b>705-400</b>		<b>03389006400</b>
Landing gear compensating foot (gear box)	LGH G 70-40 F S	705	400		705-400	44,0	03389000800
Landing gear compensating foot	LGH O 70-40 F S	705	400		705-400	40,4	03389000700
<b>Landing gear kit - Compensating foot</b>	<b>LGH S 65-35 F S</b>	<b>655</b>	<b>350</b>		<b>655-350</b>		<b>03389006500</b>
Landing gear compensating foot (gear box)	LGH G 65-35 F S	655	350		655-350	42,3	03389001000
Landing gear compensating foot	LGH O 65-35 F S	655	350		655-350	38,7	03389000900

## Hercules Landing Gear with Sandshoe high

Name	Type	Height M [mm]	Hub T [mm]	A [mm]	M+T [mm]	Weight [kg]	Order no.
<b>Landing gear kit - Sand shoe high</b>	<b>LGH S 85-51 F T</b>	<b>850</b>	<b>510</b>	<b>580</b>	<b>850-510</b>		<b>03389006600</b>
Landing gear Sand shoe high (gear box)	LGH G 85-51 F T	850	510		850-510	47,0	03389001200
Landing gear Sand shoe high	LGH O 85-51 F T	850	510		850-510	43,5	03389001100
<b>Landing gear kit - Sand shoe high</b>	<b>LGH S 80-46 F T</b>	<b>800</b>	<b>460</b>	<b>530</b>	<b>800-460</b>		<b>03389006700</b>
Landing gear Sand shoe high (gear box)	LGH G 80-46 F T	800	460		800-460	45,3	03389001400
Landing gear Sand shoe high	LGH O 80-46 F T	800	460		800-460	41,8	03389001300
<b>Landing gear kit - Sand shoe high</b>	<b>LGH S 75-41 F T</b>	<b>750</b>	<b>410</b>		<b>750-410</b>		<b>03389006800</b>
Landing gear Sand shoe high (gear box)	LGH G 75-41 F T	750	410		750-410	43,7	03389001600
Landing gear Sand shoe high	LGH O 75-41 F T	750	410		750-410	40,2	03389001500
<b>Landing gear kit - Sand shoe high</b>	<b>LGH S 70-36 F T</b>	<b>700</b>	<b>360</b>		<b>700-360</b>		<b>03389006900</b>
Landing gear Sand shoe high (gear box)	LGH G 70-36 F T	700	360		700-360	42,0	03389001800
Landing gear Sand shoe high	LGH O 70-36 F T	700	360		700-360	38,5	03389001700
<b>Landing gear kit - Sand shoe high</b>	<b>LGH S 65-31 F T</b>	<b>650</b>	<b>310</b>		<b>650-310</b>		<b>03389007000</b>
Landing gear Sand shoe high (gear box)	LGH G 65-31 F T	650	310		650-310	40,3	03389002000
Landing gear Sand shoe high	LGH O 65-31 F T	650	310		650-310	36,8	03389001900

## Hercules Landing Gear with Sandshoe low

Name	Type	Height M [mm]	Hub T [mm]	A [mm]	M+T [mm]	Weight [kg]	Order no.
<b>Landing gear kit - Sand shoe low</b>	<b>LGH S 85-51 F TC</b>	<b>850</b>	<b>510</b>	<b>580</b>	<b>850-510</b>		<b>03389007100</b>
Landing gear Sand shoe foot (gear box)	LGH G 85-51 F TC	850	510		850-510	45,5	03389002200
Landing gear Sand shoe foot	LGH O 85-51 F TC	850	510		850-510	42,0	03389002100
<b>Landing gear kit - Sand shoe low</b>	<b>LGH S 80-46 F TC</b>	<b>800</b>	<b>460</b>	<b>530</b>	<b>800-460</b>		<b>03389007200</b>
Landing gear Sand shoe foot (gear box)	LGH G 80-46 F TC	800	460		800-460	43,8	03389002400
Landing gear Sand shoe foot	LGH O 80-46 F TC	800	460		800-460	340,3	03389002300
<b>Landing gear kit - Sand shoe low</b>	<b>LGH S 75-41 F TC</b>	<b>750</b>	<b>410</b>		<b>750-410</b>		<b>03389007300</b>
Landing gear Sand shoe foot (gear box)	LGH G 75-41 F TC	750	410		750-410	42,2	03389002600
Landing gear Sand shoe foot	LGH O 75-41 F TC	750	410		750-410	38,7	03389002500
<b>Landing gear kit - Sand shoe low</b>	<b>LGH S 70-36 F TC</b>	<b>700</b>	<b>360</b>		<b>700-360</b>		<b>03389007400</b>
Landing gear Sand shoe foot (gear box)	LGH G 70-36 F TC	700	360		700-360	40,5	03389002800
Landing gear Sand shoe foot	LGH O 70-36 F TC	700	360		700-360	37,0	03389002700
<b>Landing gear kit - Sand shoe low</b>	<b>LGH S 65-31 F TC</b>	<b>650</b>	<b>310</b>		<b>650-310</b>		<b>03389007500</b>
Landing gear Sand shoe foot (gear box)	LGH G 65-31 F TC	650	310		650-310	38,8	03389003000
Landing gear Sand shoe foot	LGH O 65-31 F TC	650	310		650-310	35,3	03389002900

## Attachment

### Connecting Shaft

Length E	Order no.
1164 mm	01435002200
1340 mm	01435002300
1425 mm	01435003700
1440 mm	01435002400
1450 mm	01435002500
1470 mm	01435002600
1500 mm	01435002700
1505 mm	01435002800
1575 mm	01435002900
1600 mm	01435003000
1605 mm	01435003100
1635 mm	01435003200
1700 mm	01435003300
1790 mm	01435003400
1800 mm**	01435003500
1950 mm	01435003600

### Crank Handle

Length B	Order no.
285 mm	01209000100
350 mm	01209000200
450 mm	01209000300
535 mm**	01209000400
605 mm	01209000500

### Crank Holder

Length	Order no.
260 mm**	01189013500

### Bracing attachment loose for mounting height 650-700-750

Weight [kg]	Order no.
**	02045005700

\* Bracing attachment can be ordered loose

\*\* Standard parts in every kit

## SAF HERCULES COMPACT



3 YEARS WARRANTY

ESPECIALLY FOR LOW-LOADERS,  
HEAVY TRANSPORTERS AND  
VOLUME VEHICLES

- compact design
- large lift with small overall height

### SAF BACK PLATE

Continuous back plate guarantees various mounting options and facilitates the replacement of landing gear on the market

### SAF GEAR

- External, compact gear box with low installation depth enables simple inspection if required
- The impact-resistant designed gearbox with special sealing is suitable for rough operating conditions
- Easy change between fast and load gear

### ADDITIONAL ADVANTAGE

- Special coating provides long-term protection against environmental factors and stone chipping
- Web-based spare part identification via QR code on the support legs

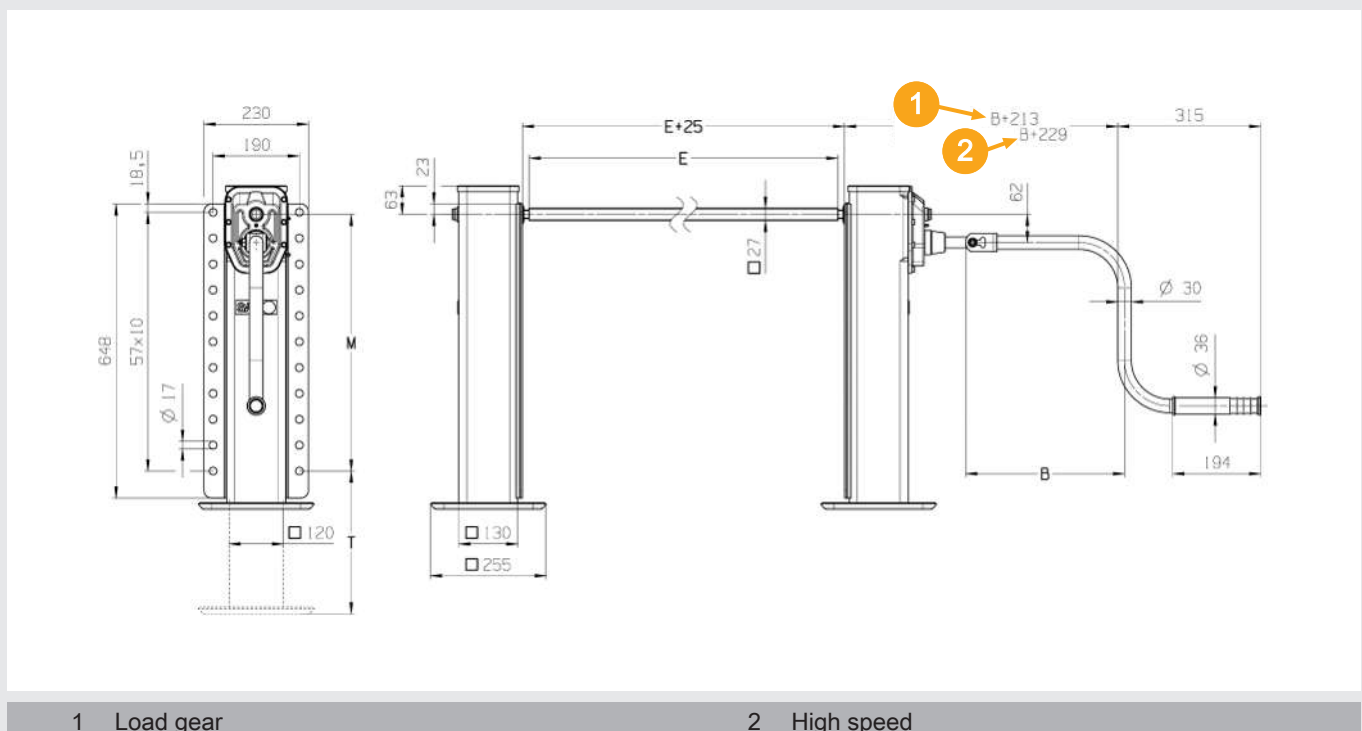


## TECHNICAL DATA: FOOT OF THE SAF HERCULES COMPACT

- **3 years maintenance-free**
- **Lifting capacity:** 24 000 kg
- **Static load:** 50 000 kg
- **Lift in load gear:** 1 mm per turn of handle
- **Lift at high speed:** 12 mm per turn of handle

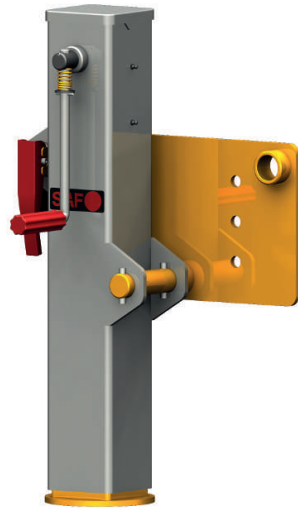
Model	Type	Weight [kg]	Height M [mm]	T [mm]	No. of drillings on backplate	Order no.
Landing gear Sand shoe rigid	LGHC O 65-43 F D	45,0	650	430	10	03389017100
Landing gear Sand shoe rigid (gear box)	LGHC G 65-43 F D	48,5				03389017200
Landing gear kit - Sand shoe rigid	LGHC S 65-43 F D					03389026100
Landing gear Sand shoe rigid	LGHC O 60-38 F D	45,0	600	380	9	03389017300
Landing gear Sand shoe rigid (gear box)	LGHC G 60-38 F D	48,5				03389017400
Landing gear kit - Sand shoe rigid	LGHC S 60-38 F D					03389017100
Landing gear Sand shoe rigid	LGHC O 55-33 F D	45,0	550	330	9	03389017500
Landing gear Sand shoe rigid (gear box)	LGHC G 55-33 F D	48,5				03389017600
Landing gear kit - Sand shoe rigid	LGHC S 55-33 F D					03389026300
Landing gear Sand shoe rigid	LGHC O 50-28 F D	45,0	500	280	8	03389017700
Landing gear Sand shoe rigid (gear box)	LGHC G 50-28 F D	48,5				03389017800
Landing gear kit - Sand shoe rigid	LGHC S 50-28 F D					03389026400
Landing gear Sand shoe rigid	LGHC O 45-23 F D	45,0	450	230	8	03389017900
Landing gear Sand shoe rigid (gear box)	LGHC G 45-23 F D	48,5				03389018000
Landing gear kit - Sand shoe rigid	LGHC S 45-23 F D					03389026500

## DIMENSIONS



All dimensions in mm

## SAF SWIVEL LANDING LEG



ESPECIALLY FOR  
CENTRE-AXLE TRAILERS

- compact design and large lift with low overall height
- Swivelling of the landing gear provides a large ground clearance for centre-axle trailers

### PROPERTIES AND ADVANTAGES

- swivelling
- Back plate can be welded on or screwed on

### ADDITIONAL ADVANTAGE

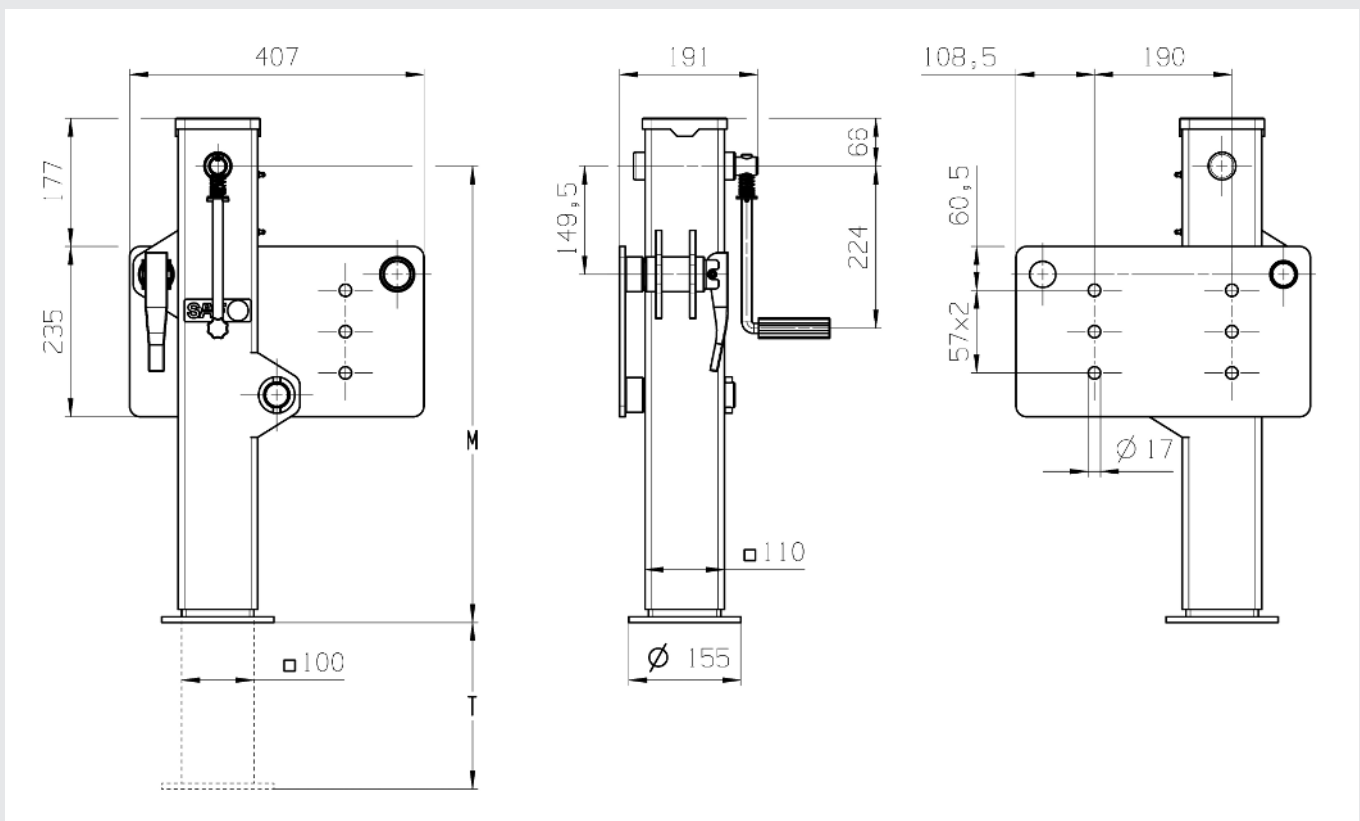
- Special coating provides long-term protection against environmental factors and stone chipping

## TECHNICAL DATA

- **Lifting capacity:** 4000 kg
- **Static load:** 8000 kg
- **Lift:** 7 mm per turn of handle

Model	Type	Weight [kg]	Height M [mm]	T [mm]	Order no.
Landing gear (gear box)	LGHD G 63-40 S D	48,5	400	630	03389018100
Landing gear (gear box)	LGHD G 58-35 S D	48,5	350	580	03389018200
Landing gear (gear box)	LGHD G 53-30 S D	48,5	300	530	03389018300
Landing gear (gear box)	LGHD G 48-25 S D	48,5	250	480	03389018400
Landing gear (gear box)	LGHD G 43-20 S D	48,5	200	430	03389018500

## DIMENSIONS



All dimensions in mm

## SAF DROP LEG



ESPECIALLY FOR TIPPERS,  
TANKERS AND SILO VEHICLES

### PROPERTIES AND ADVANTAGES

- good accessibility of the staking position
- Drop stroke can be variably adjusted in several steps and particularly finely graduated
- easy height adjustment of the foot
- suitable for all trailers
- 3-D mounting plate is lightweight and particularly rigid and is mounted as a single plate at the top
- durable components such as high-strength steel and robust pull handles
- large, durable steel foot, welded to the foot plate on four sides
- upper sealing of the foot prevents penetration of dirt and water
- fast and easy handling in all weather conditions

### IMPORTANT INFORMATION

- two drop legs must be installed per vehicle
- not suitable for use on ferries

### PAINTING

- powder coating
- no subsurface corrosion
- long-term and reliable preservation of value

### NOTE

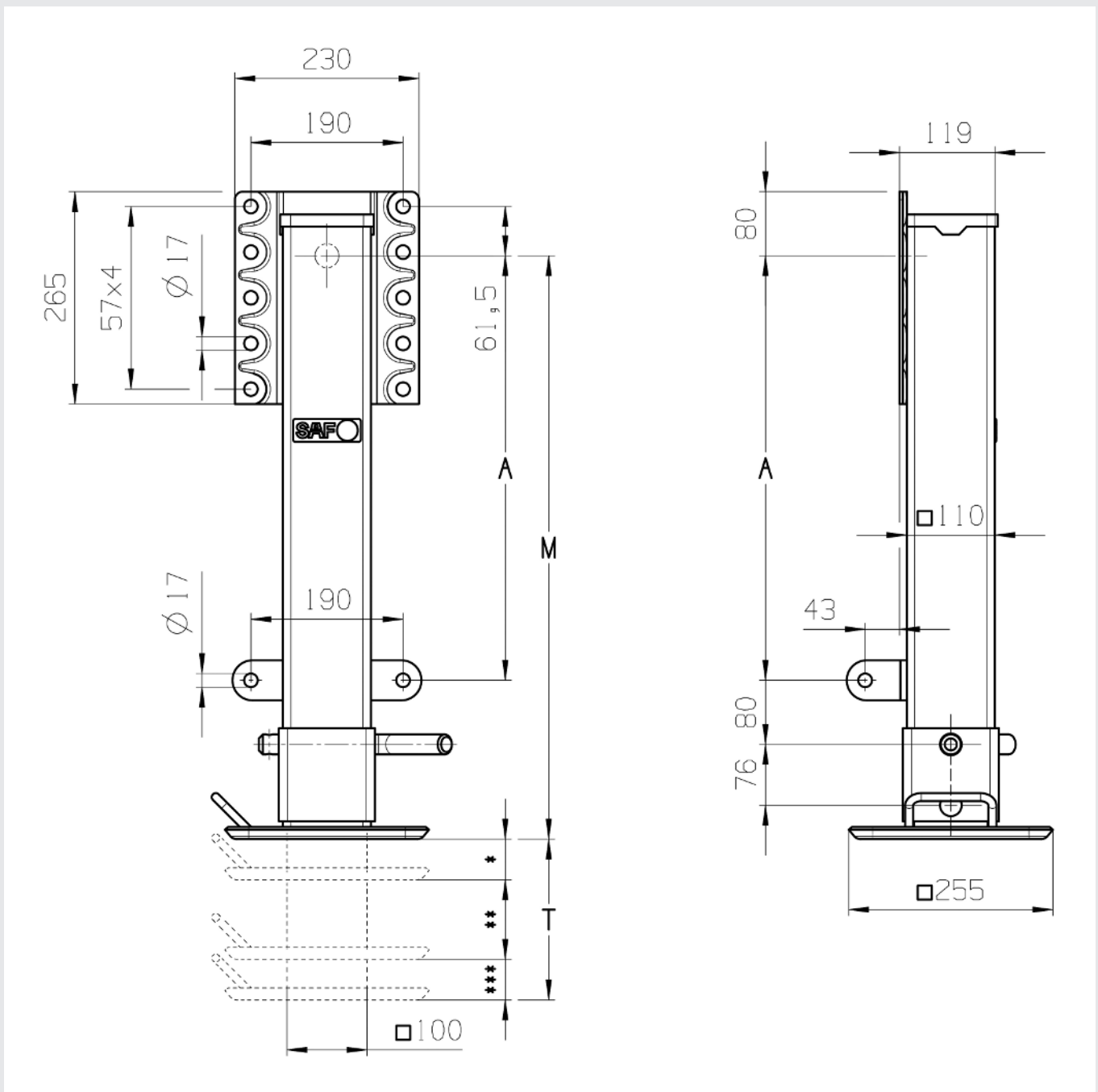
- This drop leg requires an air-suspended rear axle of the tractor.

## TECHNICAL DATA

Static load: 15,000 kg

Model	Type	Weight [kg]	Height M [mm]	T [mm]	Order no.
Drop leg	LGDL 75-63 T D	25,0	750	808mm + 25x25,4	03389016500

## DIMENSIONS



All dimensions in mm





# ORIGINAL TRILEX® WHEEL SYSTEMS

UNIVERSAL WHEEL SYSTEM  
WHEELSPIDERS – RIMS – ACCESSORIES

## TRILEX® — THE UNIVERSAL WHEEL SYSTEM

The original TRILEX®-wheel system consists of a TRILEX®-wheel spider and a detachable TRILEX®-rim. The individual segments of the TRILEX®-rim can be aligned and centred easily and precisely around the wheel spider.

The great advantage of this construction is that the tire can be removed from the rim if necessary without the use of a machine. This means that both the individual wheel and the tire can thus be changed quickly and safely at practically any time anywhere.

The original TRILEX®-wheel system was developed specially for commercial vehicles in close collaboration with the vehicle manufacturers, and it has proven itself worldwide and time and time again in daily operation on trucks and trailers as well as tractor vehicles, semi-trailers and buses.

Having taken over the former company Georg Fischer Verkehrstechnik in Singen, SAF-HOLLAND now also delivers the original TRILEX®-wheel system as well as all original spare parts.

### THE ADVANTAGES FOR YOU AT A GLANCE:

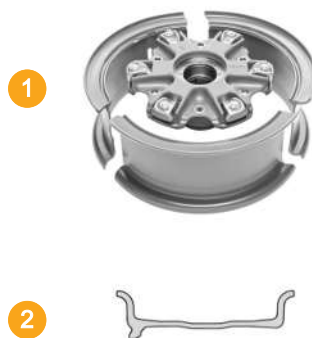
- Optimum design of wheelspider and rim saves weight and thus increases payload
- Better cooling prolongs the useful life of tyres and brakes
- Lower tightening torque of bolts eases wheel change
- Risk-free tyre change due to 3-piece TRILEX® rim
- Robust design ensures highest safety with additional loads
- Precision machining of wheelspider improves rolling characteristics

### SAF-HOLLAND'S ORIGINAL TRILEX®-WHEEL SYSTEM IS AVAILABLE

- in size and 24"
- for tubed tyres
- for single tyres or twin tyres
- for vehicles of all well-known manufacturers

**NOTE:** Rims of 28° cone wheel systems are not interchangeable with the TRILEX® system



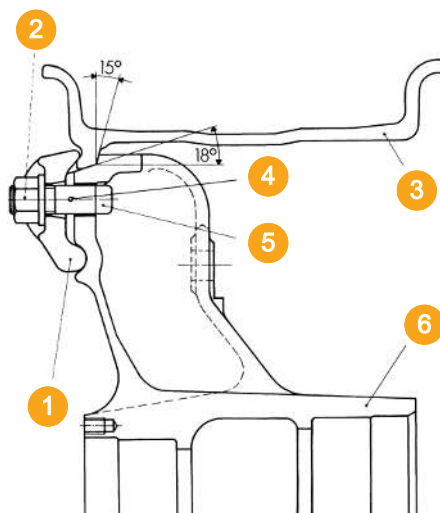


1 Wheelspider with TRILEX rim 24"

2 For tubed tyres

### TRILEX® – DOUBLE CONE CENTRING

Ensures perfect alignment of rim on the TRILEX® wheelspider



1 TRILEX clamp  
2 Collar nut  
3 TRILEX rim

4 Splint  
5 TRILEX bolt  
6 TRILEX wheelspider

## IMPORTANT ASSEMBLY INSTRUCTIONS

**Before assembly, clean all parts such as spoke heads, rim mounting bevel, bolts and clamps.**

To ensure perfect rim alignment and centring, contact surfaces between wheel centre and rim must be free of paint

Tighten nuts several times in turn, always round the wheel and not crosswise.

On all new vehicles, and following each changeover of wheels, tighten nuts to the specified torque after a brief trial run and then again after a further 50 - 100 km (30 - 60 miles). Check the torque from time to time.

**Never repair or weld them.**

**Torques:** See Operating Instructions

## TRILEX® – ADAPTORS

Vehicles equipped with disc wheels can be changed over to the TRILEX® wheel by means of TRILEX® adaptors. Selection of the suitable adaptor depends on: type of vehicle and/or axle, track, tyres used, profile of brake drum and fixation (centring).

Our technical customer service representatives will be glad to assist you.

### TRILEX® – WHEEL ADAPTOR FOR TWIN TYRES



Type	Size [Inch]	Weight [kg]	Order no.
Rear wheel adaptor	24"	44	604260232
Rear wheel adaptor	24"	43	604260240

### TRILEX® – WHEEL ADAPTOR FOR SINGLE TYRES



Type	Size [Inch]	Weight [kg]	Order no.
Front wheelspider	24"	22	604260181
Front wheelspider	24"	23	604260333

Further versions on request

## TRILEX® – WHEELSPIDERS

TRILEX® wheels have stood up to the toughest possible operating conditions all over the world and are offered by all of the leading vehicle manufacturers. TRILEX® wheels are engineered to specific axle size in respect to bearings, seals, brakes, track, carrying capacity, etc.

For safety reasons, use exclusively original TRILEX® parts.

Our product guarantee becomes invalid if non-original parts are used.

Original TRILEX® spare parts can be obtained throughout the world from our branch offices or sales representatives.

Please ask us for their addresses.

### TRILEX® – WHEELSPIDERS FOR TWIN TYRES



Type	Size [Inch]	Weight [kg]	Order no.
Trailer wheelspider	24"	64,5	<b>604110686</b>
Trailer wheelspider	20"	61	<b>604202224</b>

Further versions on request

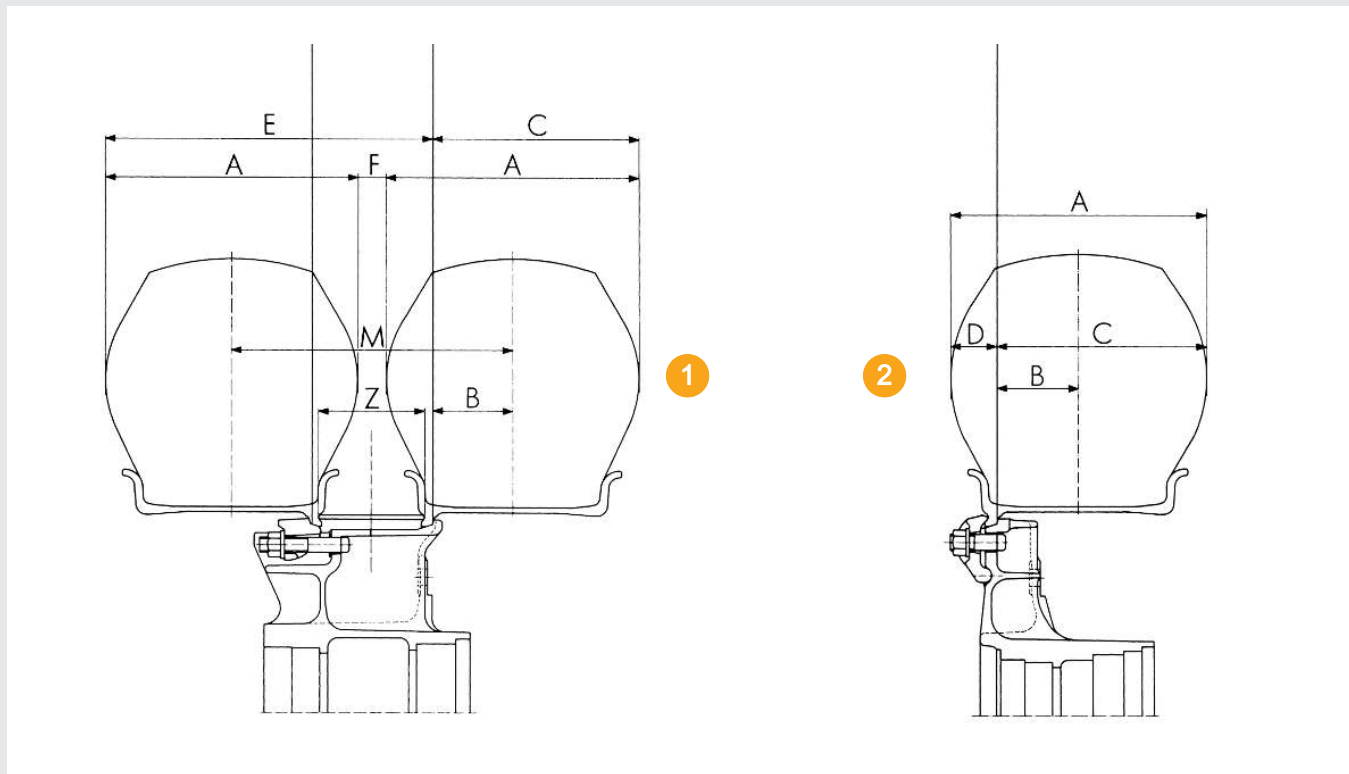
### TRILEX® – WHEELSPIDERS FOR SINGLE TYRES



Versions on request

## TYRE AND RIM COMBINATIONS

### TYRE AND RIM COMBINATIONS



1 TRILEX®-standard wheelspider for twin tyres:  
TRILEX rim

2 TRILEX® -standard wheelspider for single tyres:  
TRILEX rim

All rims of TRILEX ® wheel systems are designed for the carrying capacity of the corresponding respective tyre. For the tyre carrying capacity and the permissible speed, please refer to the manual of your tyre manufacturer.

### TRILEX®-RIMS FOR TUBED TYRES

Diameter [Inch]	Tyre	Rim	A [mm]	B [mm]	C [mm]	D [mm]	E [mm]	F [mm]	Z [mm]	M [mm]
24"	12.00 R 2	8.5-24	313	98,5	255	58	414	43	139	356

Further versions on request

## RIMS AND SPACING RINGS

### TRILEX® WIDE BASE RIMS

Segmented rim for tyres with tubes for mounting on TRILEX® wheelspiders.



Diameter [Inch]	Type	Weight [kg]	Replacement for	Order no.
20"	TRILEX® - rim	38,5	81T850	<b>650410355</b>
24"	TRILEX® - rim	46,5	81T854	<b>650410357</b>

Further versions on request

### SPACING RINGS FOR TRILEX®-RIMS



Diameter [Inch]	Type	width [mm]	Weight [kg]	Replacement for	Order no.
24"	Baffle ring	139	11,2	656042449	<b>656082449</b>
24"	Baffle ring	147	11,7	656042451	<b>656082451</b>
24"	Baffle ring	156	11,9		<b>656082454</b>

Further versions on request

## CLAMPS

### FOR TRILEX® AND TUBLEX® RIMS



Type	Weight [kg]	Order no.
Lock plate	0,700	659002201
Lock plate	0,850	659002215

### FOR 20" WHEELSPIDERS AND WHEEL ADAPTORS



Type	Weight [kg]	Order no.
Lock plate	0,650	659002171

### FOR 24" WHEELSPIDERS AND WHEEL ADAPTORS



Type	Weight [kg]	Order no.
Lock plate	0,650	659002171
Lock plate	0,670	659002129

## BOLTS

### TRILEX® CUP HEAD BOLT M18 X 2



Type	Shaft length [mm]	Weight [kg]	Replacement for	Order no.
Screw	80	0,192	59T54, 12490	<b>659112453</b>
Screw	125	0,274	59T60, 12493	<b>659112456</b>

### TRILEX® BOLT M20 X 2



Type	Shaft length [mm]	Weight [kg]	Replacement for	Order no.
Screw	57	0,200	12504, 112615	<b>659112616</b>
Screw	100	0,293	12502	<b>659112611</b>
Screw	115	0,324	12501	<b>659112612</b>
Screw	130	0,358	12503	<b>659112613</b>
Screw	145	0,394	12508	<b>659112614</b>



## NUTS AND SUNDRIES FOR TRILEX® WHEELS

### FLANGE NUT (3 CAMS) FOR TRILEX® M20 BOLT



Type	Model	Order no.
Flange nut		659115304

### FLANGE NUT (6 CAMS) FOR TRILEX® M18 BOLT



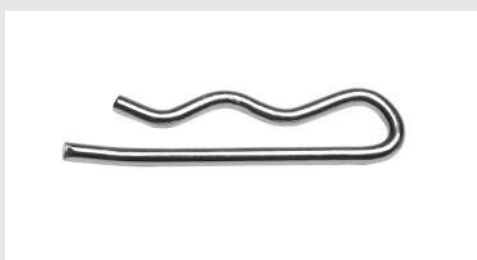
Type	Replacement for	Model	Order no.
Flange nut	78T08, 151-12	M18x2	659115300

### WASHER



Type	Model	Order no.
Washer		659120228

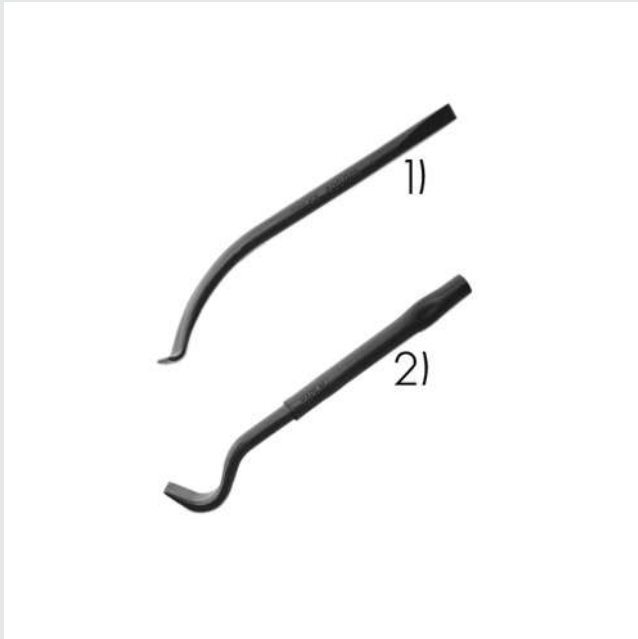
### SPRING CLIP



Type	Order no.
Spring clip	659130017

## TOOLS

### FOR MOUNTING OF TRILEX® RIMS



Item	Type	Weight [kg]	Order no.
1	Rim assembling lever	0,8	659800006
2	Rim dismounting lever	1,0	659800007

### FOR ASSEMBLY OF WHEELSPIDERS AND RIMS



Item	Type	Weight [kg]	Order no.
8	Box spanner	1,2	659800038
8a	Punch	1,2	659800039

# CONTENTS

<b>FIFTH WHEELS .....</b>	<b>23</b>	<b>SAF LILUBE LUBRICANTS .....</b>	<b>157</b>
GC 6 .....	24	SAF LiLube Lubricants .....	158
FW3214-W .....	28	Grease cartridge for SK-S 36.20 W + FW3214-W .....	160
SK-S 36.20 (Standard) .....	32	<b>KINGPINS .....</b>	<b>163</b>
SK-S 36.20 W .....	38	Order numbers .....	164
SK-S 36.20 NoLube .....	42	Type marking .....	168
SK-S 36.20 D NoLube .....	44	Overview of product range .....	171
SK-S 36.20 D .....	48	Type 50S15 .....	172
SK-S 36.20 DW .....	52	Type 50S15L .....	174
SK-S 36.20 V .....	56	Type 90S15 .....	176
SK-S 36.20 VW .....	60	Type 90S15L .....	178
FW3510 .....	64	Type 50S18 .....	180
FWAL-E .....	69	Type 50S18L .....	182
Recolube .....	74	Type 90S18 .....	184
SK-S 36.20 .....	76	Type 90S18L .....	186
SK-S 36.20 H .....	77	Reference gauge .....	188
SK-HD 38.36 .....	78	Kingpin adaptor 2" to 3½" .....	190
Spare Parts Recolube .....	79	<b>BALL RACES .....</b>	<b>193</b>
SK-S 36.20 H .....	81	SAF Ball races for turntable drawbar trailers .....	194
SK-HD 38.36 .....	88	CentroLube .....	202
SK-HD 38.36 G .....	92	<b>SAF HERCULES AND DROP LEG LANDING GEAR .....</b>	<b>203</b>
FW0100 .....	96	SAF HERCULES .....	204
FW0165 .....	100	SAF HERCULES COMPACT .....	208
FW3510-TR .....	104	SAF Swivel Landing Leg .....	210
FW0E70-T .....	108	SAF Drop Leg .....	212
<b>SLIDERS .....</b>	<b>113</b>	<b>ORIGINAL TRILEX® WHEEL SYSTEMS .....</b>	<b>215</b>
SK-V 20 .....	114	TRILEX® — The Universal wheel system .....	216
SK-V 20 (Pneumatic) .....	118	TRILEX® – Adaptors .....	219
SK-V 22 .....	122	TRILEX® – Wheelspiders .....	220
ILS-SLIDER .....	134	Tyre and rim combinations .....	221
<b>MOUNTING PLATES .....</b>	<b>141</b>	Rims and spacing rings .....	222
Mounting plates without pre-drilled holes .....	142	Clamps .....	223
Mounting plates with pre-drilled holes .....	144	Bolts .....	224
<b>ACCESSORIES .....</b>	<b>147</b>	Nuts and sundries for TRILEX® wheels .....	225
Anti-theft lock .....	148	Tools .....	226
Steering wedge .....	150		
Hubodometer .....	152		
SAF-O-Meter .....	154		
RECOSS® .....	156		



Notruf +49 6095 301-247  
Emergency Hotline

Kundendienst +49 6095 301-602  
Customer Service

Aftermarket +49 6095 301-301  
Spare Parts

Fax +49 9095 301-494

[originalparts@safholland.de](mailto:originalparts@safholland.de)  
[www.safholland.com](http://www.safholland.com)

