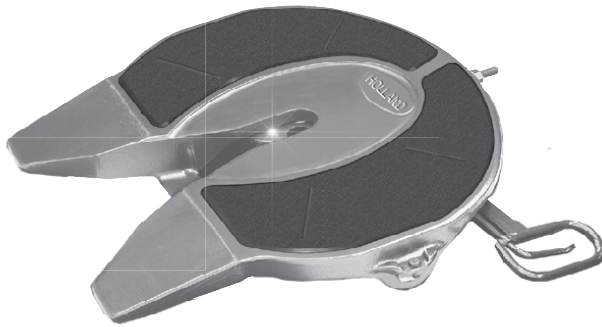




# FW3110

## FW3110 SERIES SPECIFICATIONS



### FEATURES

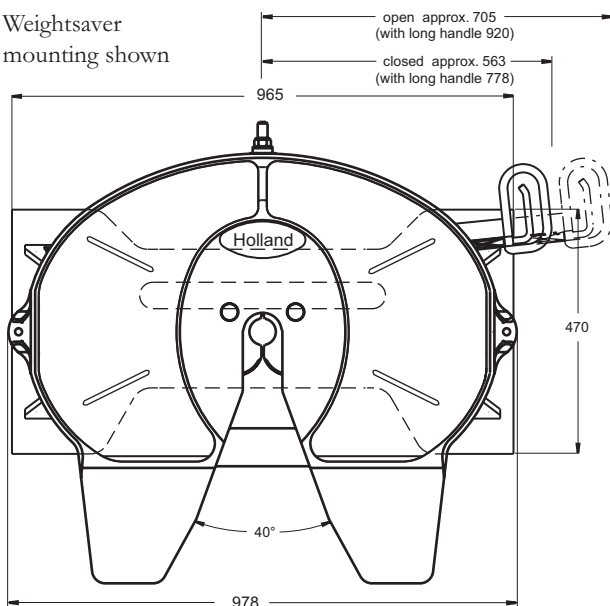
- All lock system components are protected with a low friction coating providing long wear life and superior corrosion protection - No Lubrication Required
- Easily replaceable wear pads on the top face eliminate the need for greasing of the top surface and wear of the casting
- Patented surface alloy on the king pin contact surfaces of the lock jaws provides lubrication-free operation, high wear resistance and eliminates the need to grease the locks
- Operating handle fitted with automatic secondary locking device, eliminating the need for a clip and chain
- Suitable for all types of rear axle steering



### WARNING

Mounting must be carried out in accordance with Holland instructions

Weightsaver mounting shown



### NoLube Fifth Wheel

65000 kg Gross Combination Weight  
20000 kg Vertical Load

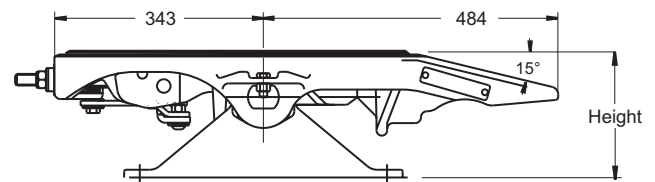
Type Approval e1\*94/20\*0812  
D-Value 150 kN



### WARNING

The load limits given are valid for operation on paved roads and under conditions prevailing in Europe. For alternative conditions please consult Holland

### ISO BRACKET MOUNTING

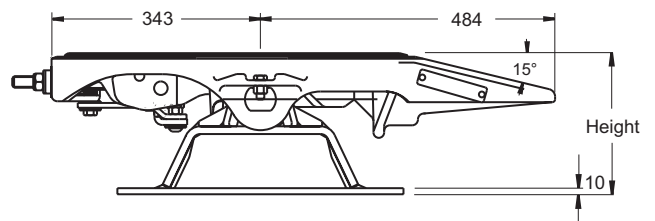


Part Number*	Height	Weight
FW3110-150	159mm	138 kg
FW3110-180	189mm	142 kg
FW3110-200	211mm	145 kg

\* add suffix -XL for version with long handle

### WEIGHTSAVER MOUNTING

Combined mounting brackets and mounting plate resulting in weight reduction and easier installation

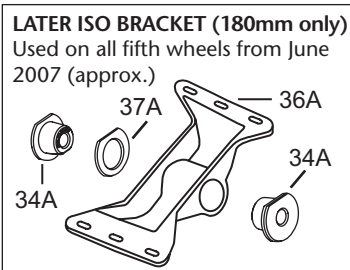
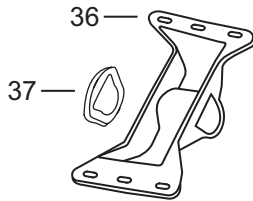
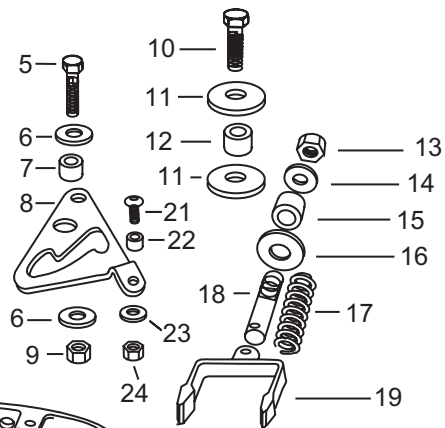
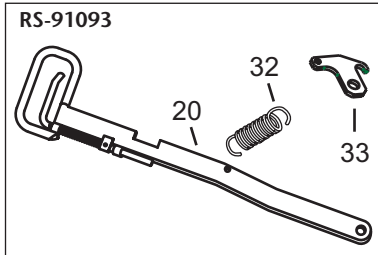
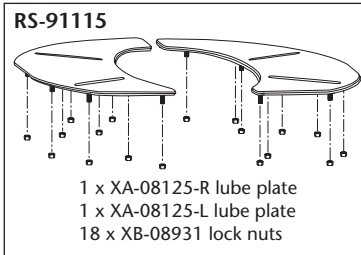


Part Number*	Height	Weight
FW3110-140	149mm	161 kg
FW3110-160	171mm	163 kg
FW3110-190	197mm	166 kg
FW3110-230	235mm	169 kg

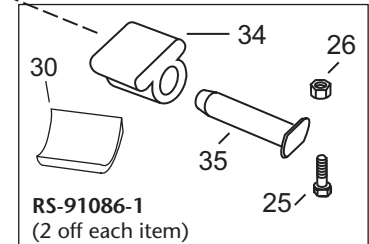
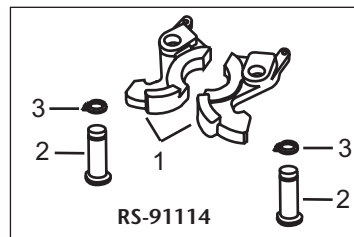
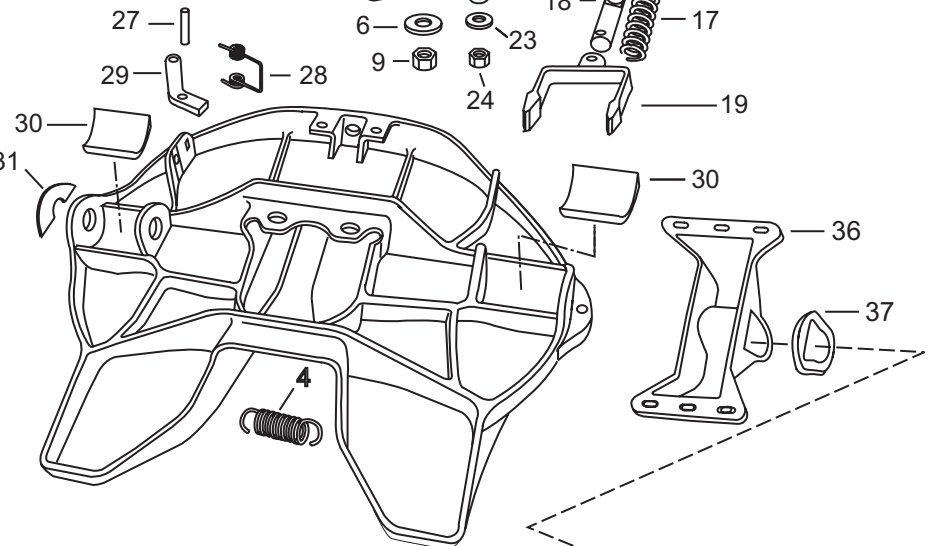
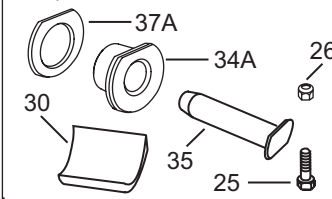
\* add suffix -XL for version with long handle

Holland reserves the right, without prior notice, to change specifications and dimensions

# FW3110 FIFTH WHEEL - SPARE PARTS



**RS-91131-1** Cushion kit including  
Pocket Inserts (2 off each item  
except item 34A = 4 off)



Item	Part No.	Qty	Description	Item	Part No.	Qty	Description
1	* XA-10853-SP-KTL	1	Lock Jaw Set	22	* XA-03082	1	Bushing
2	* XA-07292-2	2	Lock Pin	23	* 33031	1	Washer
3	* XB-07398	2	Retaining Ring	24	* 32001	1	Lock Nut
4	* XB-07628-KTL	1	Extension Spring	25	31041	2	Bolt
5	* 31039	1	Hex Head Cap Screw	26	32001	2	Locknut
6	* XB-10294	2	Washer	27	* XB-21-S-500-2750	1	Roll Pin
7	* XA-10265	1	Roller	28	* XB-2149-KTL	1	Torsion Spring
8	* XA-10450	1	Camplate	29	* XA-10451	1	Secondary Lock
9	* 32001	1	Locknut	30	XB-10210	2	Pocket Insert
10	* XB-CX-58-F-134	1	Hex Head Cap Screw	31	XB-07610-D	1	Tag
11	* XB-10259	2	Washer	32	* XB-05679-2	1	Extension Spring
12	* XA-10343	1	Roller	33	* XA-09645	1	Spring Mount
13	* XB-HNH-34-F	1	Locknut	34	XB-0011-3	2	Rubber Cushion
14	* 33034	1	Washer	34A	XB-10605	4	Rubber Cushion (see 36A)
15	* XB-1127	1	Rubber Washer	35	XE-06356-KTL	2	Bracket Pin
16	* XB-02312-1	1	Lock Adjustment Tag	36	XD-04942-KTL	2	ISO Bracket - 150mm
17	* XB-1505-KTL	1	Compression Spring		XD-04943-KTL	2	ISO Bracket - 180mm
18	* XA-1706	1	Yoke Shaft		XD-04944-KTL	2	ISO Bracket - 200mm
19	* XA-10257	1	Yoke	36A	XD-04943-S-KTL	2	ISO Bracket - 180mm (new type)
20	* XA-09437	1	Handle	37	XB-60144	2	Rubber Washer
	XA-09752	1	Long Handle (not shown)				(With ISO bracket only)
21	* 31040	1	Socket Head Screw	37A	XB-10605-RW	2	Rubber Washer (see 36A)
	* RS-91113		Full Overhaul Kit		RS-91093		Handle Kit Complete
	RS-91114		Lock Repair kit		RS-91098		Handle Kit Complete
	RS-91086-1		Cushion Kit with Poc. Inserts				(With optional long handle)
	RS-91131-1		Cushion Kit (see 36A)		RS-91115		Replacement Pad Set



**SAF-HOLLAND GmbH**  
Hauptstraße 26  
D-63856 Bessenbach, Germany  
Phone: +49 (0) 6095-301302  
Fax: +49 (0) 6095-301200

**HOLLAND EUROHITCH Ltd.**  
Hoo Farm Ind. Est. Worcester Rd.  
Kidderminster, Worcs. DY11 7RA, UK  
Phone: +44 (0) 1562-732010  
Fax: +44 (0) 1562-732020

**HOLLAND EUROPE GmbH**  
Altenkamp 9, D-33758  
Schloss Holte-Stukenbrock, Germany  
Phone: +49 (0) 5207-89560  
Fax: +49 (0) 5207-895656