

How to use the mounting tool for hub units on axles with disc brakes

SAF's mounting tool for hub units makes it easier to place the hub unit onto the axle spindle. The universal mounting tool can be used both for axles with disc brakes and for axles with drum brakes. It has a right-hand thread on one side and a left-hand thread on the other side and is thus suitable for axle spindles with right-hand threads or left-hand threads.

Order number:

Bearing seat- Ø 82mm: 4 434 1067 00

Bearing seat- Ø 88mm: 4 434 1068 00

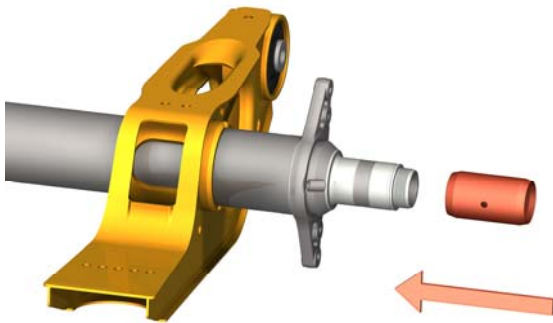


Fig. 1 · Place mounting tool

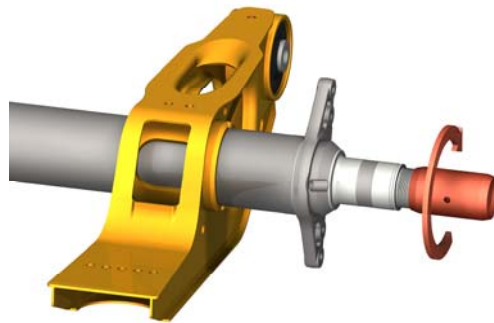


Fig. 2 · Screw on mounting tool, **Attention thread direction!**

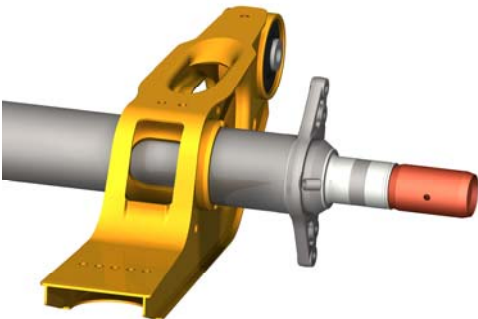


Fig. 3 · Mounting tool screwed onto the axle spindle

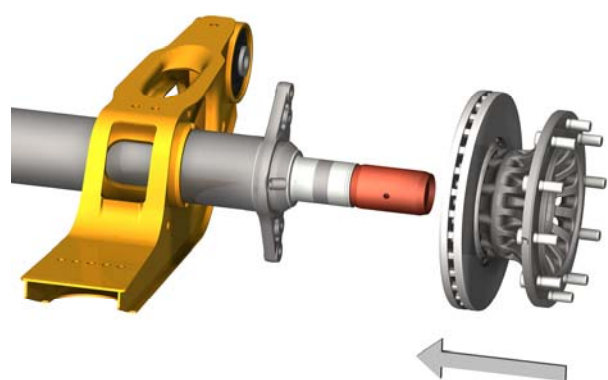


Fig. 4 · Push the hub unit onto mounting tool

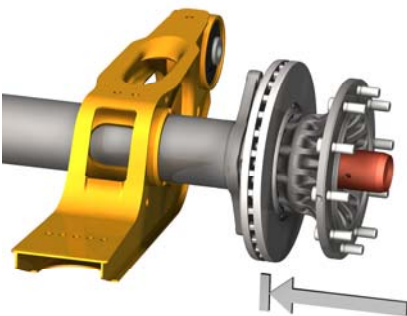


Fig. 5 · Push up against the hub unit

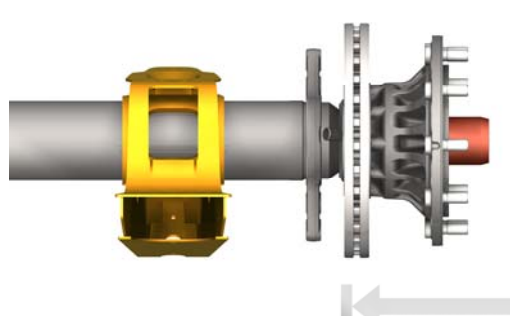


Fig. 6 · Push up against the hub unit (side view)