

E40

Automatic couplings

The V. ORLANDI E40 series is a 40 mm automatic drawbar coupling, which is designed for steering drawbar trailers and central axle trailers. That coupling series is homologated according to ECE R55 or 94/20/CE standard. It is easy to handle and can be maintained very fast and cost efficient. All E40 couplings can be adjusted with various sensor and remote options.



Technical data

Flange size	120 × 55 140 × 80 160 × 100 [mm]
D-Value	85 - 150 [kN] NEW
DC-Value	70 - 100 [kN]
S-Load (Mass load)	700 - 1000 [kg]
V-Value	28 - 42 [kN]
Weight	35 - 39 [kg]
Homologation	ECE R55 (class S) or 94/20/CE (class S)
Drawbar eye standard	DIN 74054; ECE R55 (class S)

Specs

- Robust rigid coupling, simple installation
- $\pm 105^\circ$ angle of rotation and $\pm 20^\circ$ vertical oscillation
- Easier to operate, can be opened at any angle between truck and trailer
- Proved according to the latest ECE-R55
- Upgradable with manual or pneumatic remote open system
- Fast Plug and Play connection with several sensor indicators
- Opening lever available either upwards or downwards
- Steel Bellmouth available for high-routines applications

E40

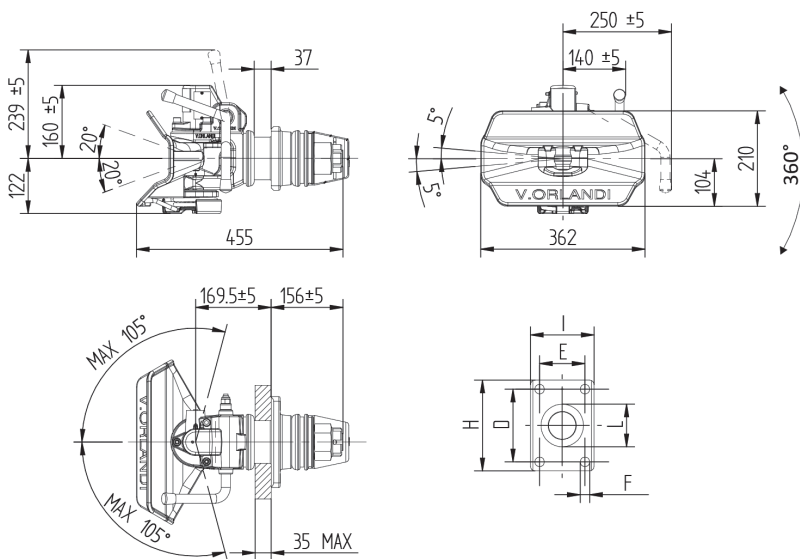
Automatic couplings



For drawbar eyes	Ø 40	ECE R55
------------------	-----------------	---------

TECHNICAL DATA

Part number	Hole pattern [mm]	D-Value [kN]	DC-Value [kN]	S-Load [kg]	V-Value [kN]	Weight [kg]	Homologation		
							Class	ECE R55	Type
GE403A0 GE403B0	120 × 55	85	70	700	28	35	S	E11 01-4224	E403
GE404A0 GE404B0	140 × 80	110	92	1000	38	37	S	E11 01-4228	E404
GE406A0 GE406B0	160 × 100	150	100	1000	42	39	S	E11 01-4227	E406



Create your part number:

GE	XXX	X	X
D-Value			
Action lever type			
Version			

D-Value
 403 = 85 kN 404 = 110 kN
 406 = 150 kN

Action lever types
 A = Short lever
 B = Long lever

Versions
 0 = Standard
 1 = Standard + CO01601
 3 = Standard + CO01603
 4 = Standard + CO02600
 6 = Standard + CO01606
 9 = Standard + CO02200

	F [mm]	H [mm]	I [mm]	L [mm]
E403	Ø 15	155	90	Ø 73.9
E404	Ø 17	180	120	Ø 83.9
E406	Ø 21	200	140	Ø 93.9

Lever type	Version						
A/B	1	2	3	4	6	9	
	in cab	out cab	in cab	in cab	in cab	out cab	