

# E57

## Automatic couplings

The V.ORLANDI E57 series is a 57 mm automatic drawbar coupling, which is designed for steering drawbar trailers and central axle trailers. This coupling series is homologated according to ECE R55 standard and it is easy to handle and can be maintained very fast and cost efficient. All E57 couplings can be adjusted with various sensor and remote options.



### Technical data

Flange size	160 × 100 [mm]
D-Value	300 - 350 [kN]
DC-Value	145 [kN]
S-Load (Mass load)	1000 - 3000 [kg]
V-Value	60 - 95 [kN]
Weight	60 [kg]
Homologation	ECE R55 (class S)
Drawbar eye standard	SWEDISH SS550100-PART2; ECE R55 (class S)

### Specs

- Robust rigid coupling, simple installation
- Cast STEEL Bellmouth technology
- ± 91° steering angle and ± 22° vertical oscillation
- High towing values
- Proved according to the latest ECE-R55
- Easily upgradable with manual or pneumatic remote opening system
- Fast Plug and Play connection with several sensor indicators
- Opening lever available either upwards or downwards

# E57

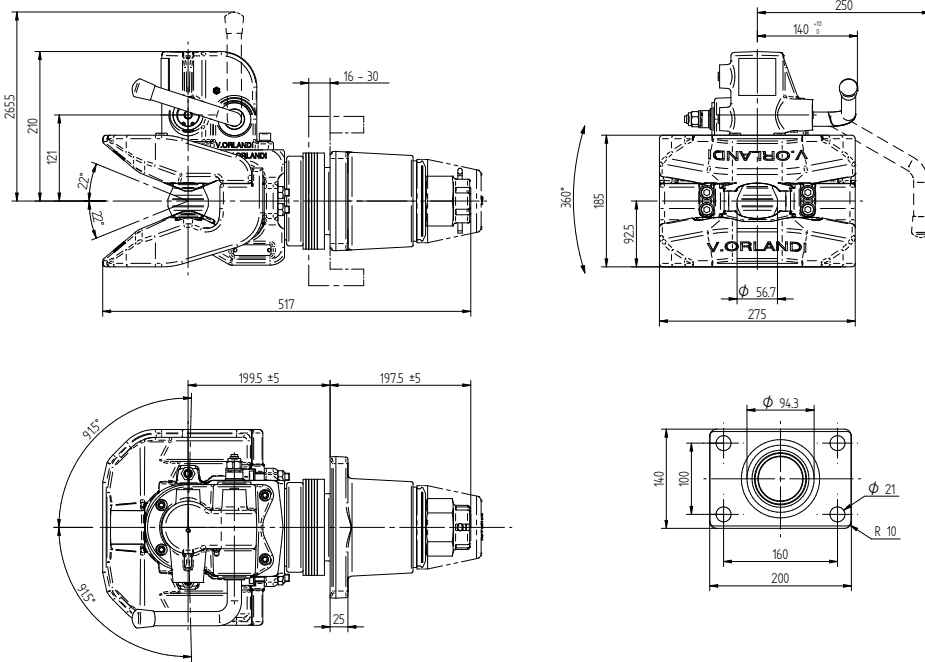
## Automatic couplings



For drawbar eyes	$\varnothing$ <b>57,5</b>	ECE R55
------------------	------------------------------	---------

### Technical data

Part number	Hole pattern mm	D-Value kN	Dc-Value kN	S-Load kg	V-Value kN	Weight kg	Homologation	
							Class	ECE R55
GE575A0 GE575B0	160 x 100	300	145	1000	95	60	S	E11 01-10061
				3000	60			
GE576A0 GE576B0	160 x 100	350	145	1000	95	60	S	E11 01-10665
				3000	60			



### Create your part number:

<b>E</b>	<b>XXX</b>	<b>X</b>	<b>X</b>
D-Value			
Action lever type			
Version			

#### D-Value

575 = 300 kN

576 = 350 kN

#### Action lever types

A = Short lever

B = Long lever

#### Versions

0 = Standard

1 = Standard + C002601

6 = Standard + C001606

7 = Standard + C001400

9 = Standard + C002110

Lever type	Version			
A/B	1	6	7	9
	In cab	In cab	Out cab	Out cab