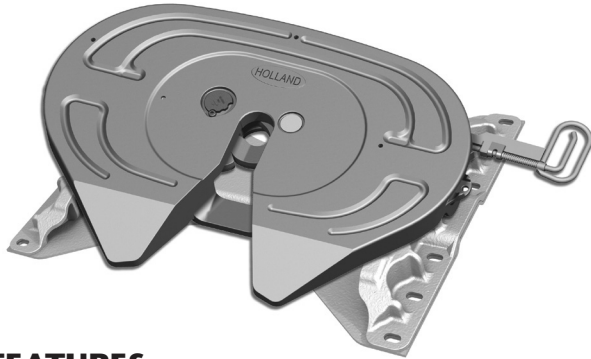




FW17E

FW17E SPECIFICATIONS



FEATURES

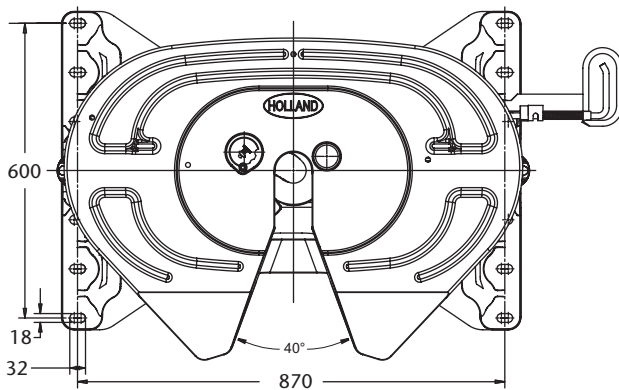
- Thin walled steel casting and heat treating process gives exceptional performance and outstanding fatigue characteristics along with a 23% reduction in weight
- High strength cast steel construction - permitted operating temperature to - 40°C
- Forged alloy steel locks with patented adjustment system easily adjusted from the top of the fifth wheel
- Cast in grease grooves to keep grease where it is needed
- Operating handle fitted with automatic secondary locking device, eliminating the need for a clip and chain
- Suitable for all types of rear axle steering



WARNING

Mounting must be carried out in accordance with Holland instructions

Lightweight bracket mounting shown



Lightweight Cast Steel Fifth Wheel

65000 kg Gross Combination Weight
20000 kg Vertical Load

Type Approval e11*94/20*0054
D-Value 150 kN

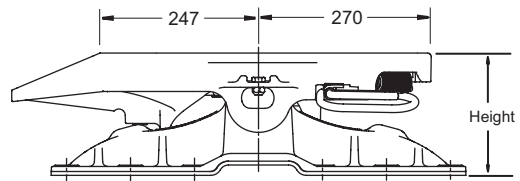


WARNING

The load limits given are valid for operation on paved roads and under conditions prevailing in Europe. For alternative conditions please consult Holland

LIGHTWEIGHT BRACKET MOUNT

Lightweight bracket system giving the lightest fifth wheel installation weight available



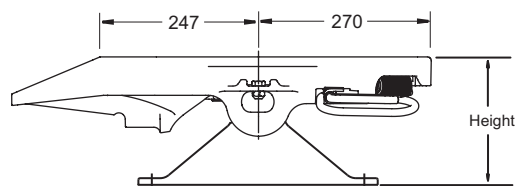
| Part Number* | Height | Weight |
|--------------|--------|--------|
| FW17E-DM-190 | 191mm | 138 kg |

WEIGHTSAVER MOUNTING (Not Shown)

| | | |
|----------------|-------|--------|
| FW17E-W(*)-145 | 143mm | 129 kg |
| FW17E-W(*)-165 | 166mm | 132 kg |
| FW17E-W(*)-190 | 192mm | 135 kg |
| FW17E-W(*)-230 | 230mm | 138 kg |

(*) - Width of weightsaver plate : 1 = 965 mm, 2 = 1050 mm

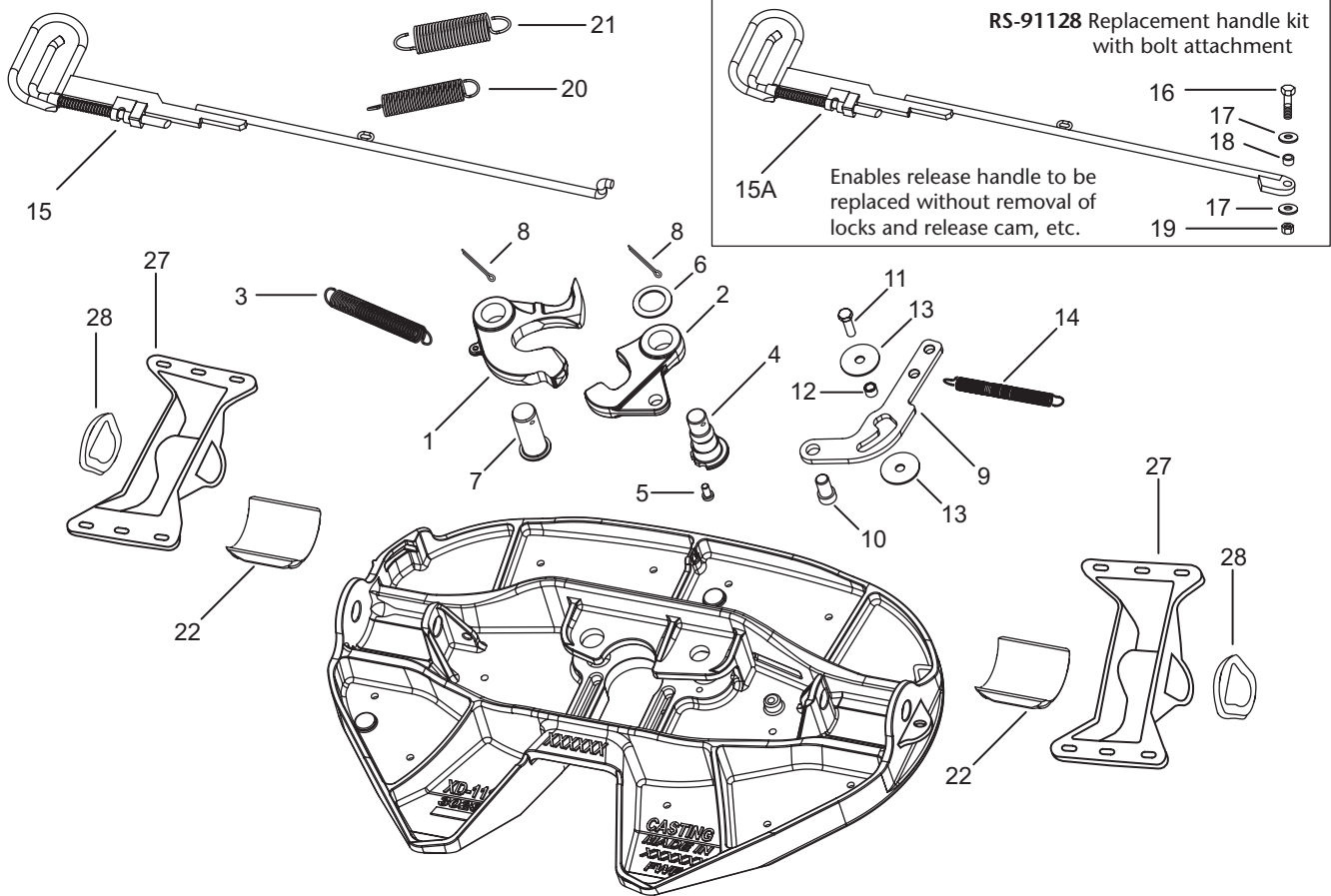
ISO BRACKET MOUNTING



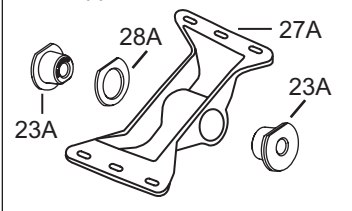
| Part Number* | Height | Weight |
|--------------|--------|--------|
| FW17E-IS-155 | 154mm | 108 kg |
| FW17E-IS-185 | 184mm | 112 kg |
| FW17E-IS-205 | 206mm | 114 kg |

Holland reserves the right, without prior notice, to change specifications and dimensions

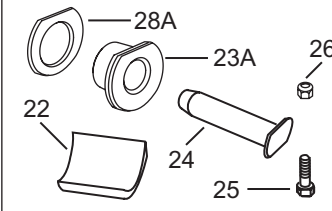
FW17E FIFTH WHEEL - SPARE PARTS



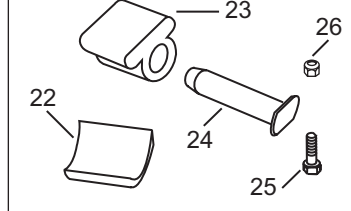
LATER ISO BRACKET (185mm only)
Used on all fifth wheels from June 2007 (approx.)



RS-91131-1 Cushion kit including Pocket Inserts (2 off each item except item 23A = 4 off)



RS-91086-1 Cushion kit including Pocket Inserts (2 off each item)



| Item | Part No. | Qty | Description | Item | Part No. | Qty | Description |
|------|--------------------|----------|--------------------------|------|----------------|-----|-----------------------------|
| 1 | * ^ XA-10486-KTL | 1 | Lock | 17 | 33023 | 2 | Washer |
| 2 | * ^ XA-10487-KTL | 1 | Hook | 18 | XA-10974 | 1 | Bushing |
| 3 | * ^ XB-05843-1-KTL | 1 | ExtensionSpring | 19 | 32008 | 1 | Lock Nut M10 |
| 4 | * ^ XA-10364-3-KTL | 1 | Adjuster Pin | 20 | * XB-10489-KTL | 1 | Spring - Inner |
| 5 | * ^ XB-02724-M | 1 | Location Bolt | 21 | * XB-10490-KTL | 1 | Spring - Outer |
| 6 | * ^ XB-05859 | As Req'd | Shim Washer | 22 | XB-10210 | 2 | Pocket Insert |
| 7 | * ^ XA-06344-KTL | 1 | Lock Pin | 23 | XB-0011-3 | 2 | Rubber Cushion |
| 8 | * ^ XB-5 | 2 | Cotter Pin | 23A | XB-10605 | 4 | Rubber cushion (see 27A) |
| 9 | * XA-10483-E-KTL | 1 | Cam, Release | 24 | XE-06356-KTL | 2 | Bracket Pin |
| 10 | * XA-10485-1-KTL | 1 | Pin, Hook | 25 | 31041 | 2 | Bolt |
| 11 | * XB-HCS-M12-40-Z | 1 | Bolt | 26 | 32001 | 2 | Locknut |
| 12 | * XA-10810 | 1 | Bush | 27 | XD-04942-KTL | 2 | ISO Bracket - 155mm |
| 13 | * XB-08559 | 2 | Washer | | XD-04943-KTL | 2 | ISO Bracket - 185mm |
| 14 | * XB-10563-KTL | 1 | Spring | | XD-04944-KTL | 2 | ISO Bracket - 205mm |
| 15 | * XA-10681 | 1 | Release Handle | 27A | XD-04943-S-KTL | 2 | ISO Brkt - 185mm (new type) |
| 15B | XA-10681-A | 1 | Release Handle (bolt on) | 28 | XB-60144 | 2 | Rubber Washer |
| 16 | XB-76027 | 1 | Bolt M10 x 40 | 28A | XB-10605-RW | 2 | Rubber Washer (see 27A) |
| * | RS-91120 | | Full Overhaul Kit | | RS-91086-1 | | Cushion Kit |
| ^ | RS-91121 | | Lock Repair Kit | | RS-91131-1 | | Cushion Kit (see 27A) |
| | RS-91128 | | Replacement Handle Kit | | | | |



SAF-HOLLAND GmbH
Hauptstraße 26
D-63856 Bessenbach, Germany
Phone: +49 (0) 6095-301302
Fax: +49 (0) 6095-301200

HOLLAND EUROHITCH Ltd.
Hoo Farm Ind. Est. Worcester Rd.
Kidderminster, Worcs. DY11 7RA, UK
Phone: +44 (0) 1562-732010
Fax: +44 (0) 1562-732020

HOLLAND EUROPE GmbH
Altenkamp 9, D-33758
Schloss Holte-Stukenbrock, Germany
Phone: +49 (0) 5207-89560
Fax: +49 (0) 5207-895656