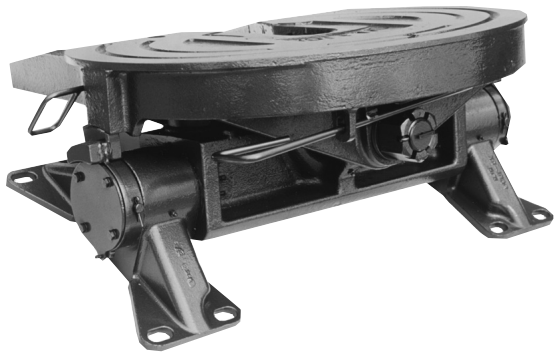




FW2080

FW2080 SPECIFICATIONS



Heavy Duty Fully Oscillating Fifth Wheel

34000 kg Vertical Load

165 kN D-Value - 2" Version

240 kN D-Value - 3.5" Version

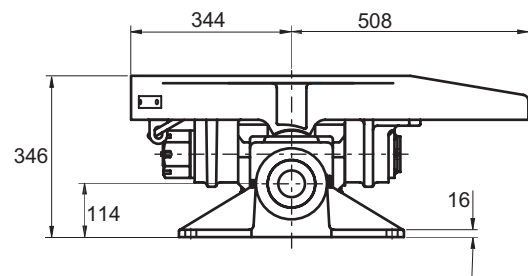
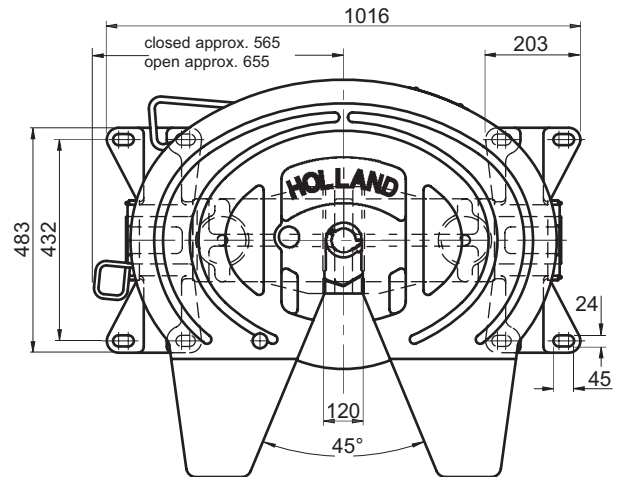
FEATURES OF THE FW2080

- 2" or 3.5" Heavy Duty Fifth Wheel with oscillating capability manufactured from high strength cast steel with high capacity and low weight
- Top plate is machined flat, providing a greater load bearing area to reduce friction and uneven wear, and improved steering performance
- Lock system manufactured from high quality forged and heat-treated components for strength and durability
- Solid, cast steel trunion provides smooth and reliable oscillation while maintaining high vertical load strength
- Optional lockouts provide side-to-side oscillation settings of 6°/3°/0°.
- Minimum operating temperature -40°C.
- Suitable for rear axle steering system, high steering accuracy due to low radial movement.



WARNING

The load limits given are valid for operation on paved roads and under conditions prevailing in Europe. For alternative conditions please consult Holland



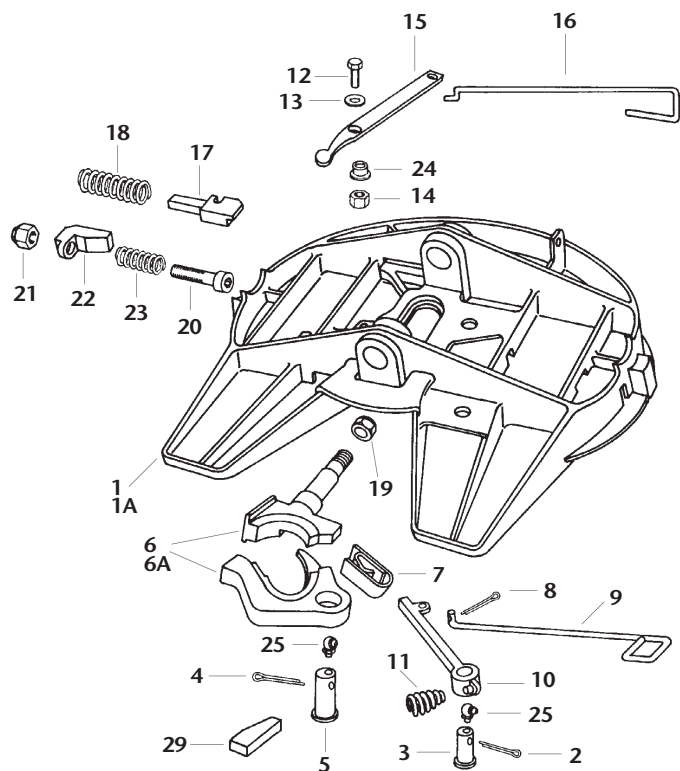
WARNING

Mounting must be carried out in accordance with Holland instructions

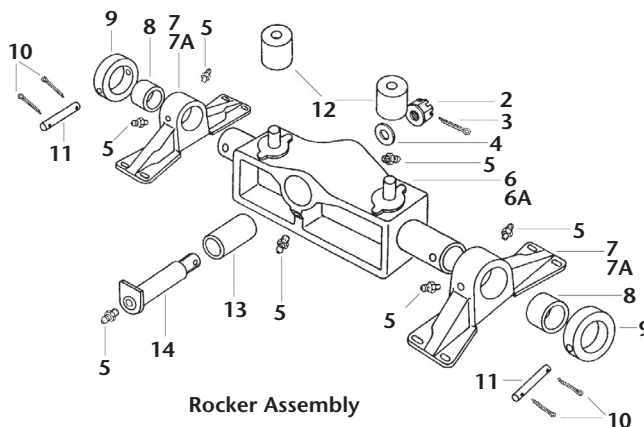
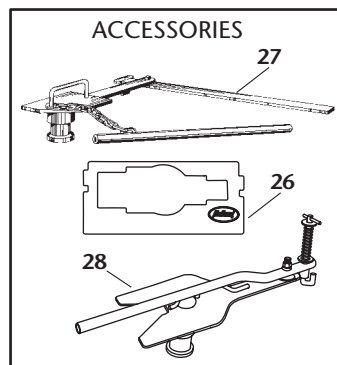
Part-Number	Height	Vertical Load	D-Value	Weight	Locks
FW2080-02	Top plate only	34000 kg	165 kN	150 kg	2"
FW2080-03	Top plate only	34000 kg	240 kN	150 kg	3.5"
FW2080-D	346mm	34000 kg	165 kN	390 kg	2"
FW2080-O	346 mm	34000 kg	240 kN	390 kg	3.5"

Holland reserves the right, without prior notice, to change specifications and dimensions.

FW2080 FIFTH WHEEL - SPARE PARTS



Top Plate Assembly



Rocker Assembly

ITEM	PART NO.	QTY.	DESCRIPTION	ITEM	PART NO.	QTY.	DESCRIPTION
Top Plate Assembly				Rocker Assembly			
*1	XA-2081-D1	1	Fifth Wheel top plate - 2" Kingpin	23	XB-403	1	Compression spring
*1A	XA-2081-03	1	Fifth Wheel top plate - 3.5" Kingpin	24	XB-02949	1	Bushing
2	XB-5	1	Cotter pin 1/4" x 2"	25	XB-769	2	Lube fitting (90°)
3	XA-1016-C	1	Lock Pin	*26	TF-0110	1	Kingpin gage
4	XB-T-60	1	Cotter Pin 1/4" x 2.5"	*27	TF-TLN-5001	1	2" Kingpin lock tester
5	XA-FW-108-D-1	1	Lock pin	*28	TF-TLN-1500	1	3.5" Kingpin lock tester
6	XA-FW-104-D	1	Lock set for 2" Kingpin	29	XA-05768	1	Adjusting block
6A	XA-FW-104-03	1	Lock set for 3.5" Kingpin	Rocker Assembly			
7	XA-FW-128	1	Spring	*1		1	Top Plate Assembly
8	XB-16	1	Cotter pin 1/8" x 1"	*2	XB-780-1	1	Hex Slotted Nut
9	XA-FW-138	1	Secondary lock release Handle	*3	XB-781-1	1	Cotter pin 5/16" x 3-1/2"
10	XA-FW-137-2	1	Secondary lock arm	*4	XA-782	1	Washer
11	XB-1028-2	1	Spring	*5	XB-H-38	7	Grease Fitting
12	XB-2083	1	Hex head cap screw 1/2" - 20 x 1.75"	*6	XA-05952	1	Rocker Arm only
13	XB-T-49	1	Plain washer	*6A	XA-5952-A	1	Rocker Arm Subassy
14	XB-T-69-A	1	Hex lock nut 1/2" - 20	*7	XA-1595	2	Bracket only
15	XA-1005-FDS	1	Release lever	*7A	XA-1595-A	2	Bracket Subassy
16	XA-1117-13	1	Release handle	*8	XA-1596	2	Cast Iron Bushing
17	XA-1104	1	Plunger	*9	XA-1597	2	Collar
18	XB-1007	1	Compression spring (red)	*10	XB-382	4	Cotter Pin 3/16" x 1-1/4"
19	XB-04473	1	Jam nut 1" - 14	*11	XA-1584-2	2	Pin
20	XB-2001	1	Socket head screw	*12	XB-70	2	Rubber Cushion
21	XB-HNH-58-C	1	Lock nut 5/8" - 11	*13	XA-06110	1	Cast Iron Bushing
22	XD-3123-1	1	Adjustment wedge	*14	XA-1589-1	1	Bolt Subassy
	RK-65012		Full Overhaul Kit - 2" King Pin		RK-65024		Lock Repair Kit - 2" King Pin
	RK-65013		Full Overhaul Kit - 3.5" King Pin		RK-65024-1		Lock Repair Kit - 3.5" King Pin

* Not included in Rebuild Kit



SAF-HOLLAND GmbH
Hauptstraße 26
D-63856 Bessenbach, Germany
Phone: +49 (0) 6095-301302
Fax: +49 (0) 6095-301200

HOLLAND EUROHITCH Ltd.
Hoo Farm Ind. Est. Worcester Rd.
Kidderminster, Worcs. DY11 7RA, UK
Phone: +44 (0) 1562-732010
Fax: +44 (0) 1562-732020

HOLLAND EUROPE GmbH
Altenkamp 9, D-33758
Schloss Holte-Stukenbrock, Germany
Phone: +49 (0) 5207-89560
Fax: +49 (0) 5207-895656

Copyright © October 2007-SAF-HOLLAND. All information contained in this document is correct at time of copyright and is subject to change without notification all rights reserved