



NSE 110

NSE 110 SERIES SPECIFICATIONS

NOTE : Product Discontinued - for spare parts information only



Trailer Air Suspension

**11 tonne Axle Capacity - Offset Airspring
Overslung Beam**

290 - 430mm Ride Height with 127mm Axle

300 - 440mm Ride Height with 146mm Axle

FEATURES

- Two bush axle connection controls axle movement and reduces axle stress giving unsurpassed roll stability and optimum tyre life
- **EZ-ALIGN™** front pivot connection provides positive alignment and easy serviceability
- Rigid trailing arm design extends brake and tyre life through better load equalization



WARNING

Mounting must be carried out in accordance with Holland instructions

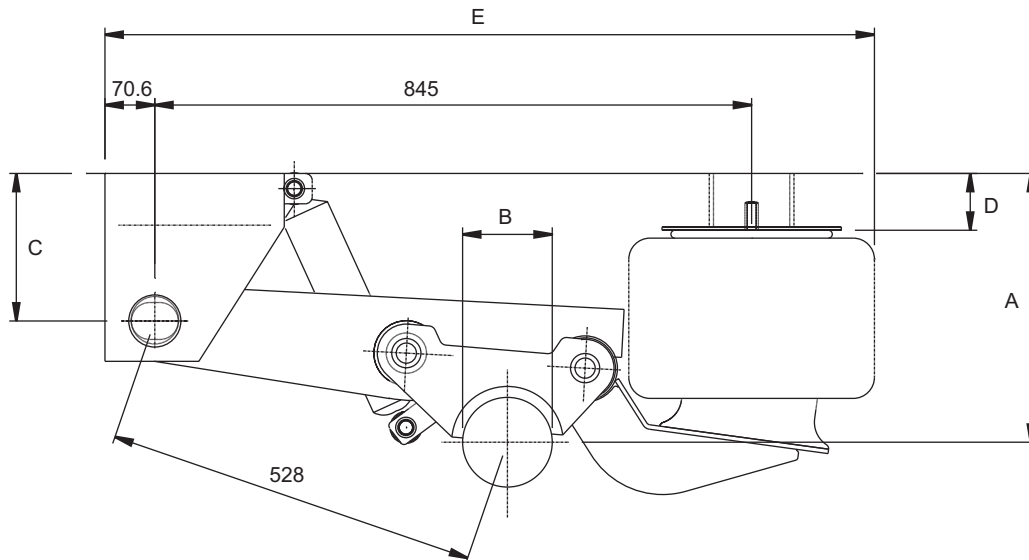


WARNING

The load limits given are valid for operation on paved roads and under conditions prevailing in Europe. For alternative conditions please consult Holland

- Composite air spring piston for reduced weight and improved resistance to impact and corrosion
- Lightweight - from 135 Kg excluding axle
- Available with patented NEWeld axle connection eliminating the need to weld to the axle tube
- Also available NSE110(V) for 9 tonne application requiring offset airspring

DIMENSIONS

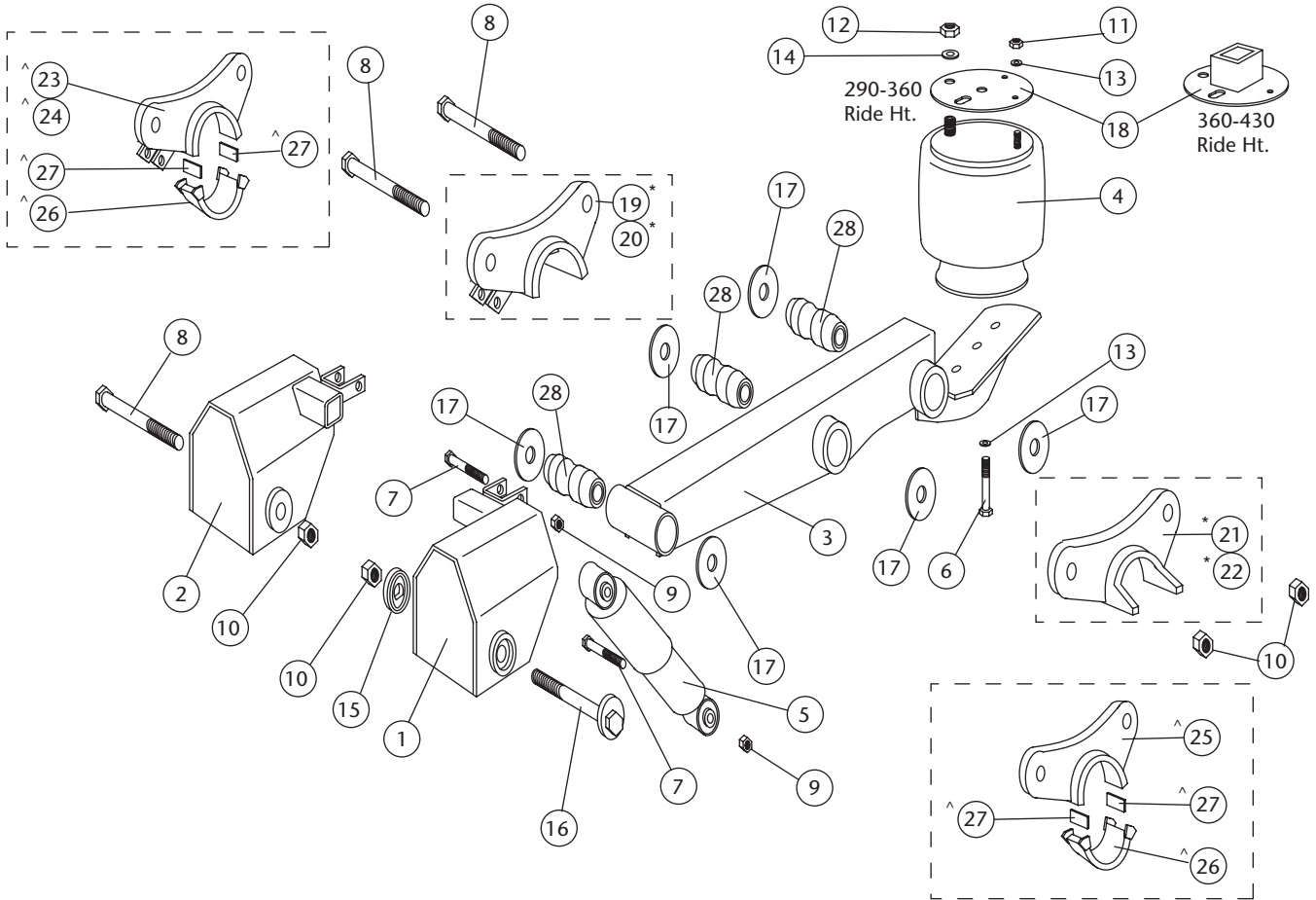


Note : All Dimensions in mm

DIMENSIONS	Ride Ht. 'A'	Axle Dia. 'B'	Pivot Ht. 'C'	Length 'E'	Airspring Offset	Pedestal 'D'
NSE110 290-360	290-360	127	133	1090	64	6
NSE110 360-430	360-430	127	210	1090	64	81
NSE110 300-370	300-370	146	133	1090	64	6
NSE110 370-440	370-440	146	210	1090	64	81

Holland reserves the right, without prior notice, to change specifications and dimensions

NSE 110 SERIES AIR SUSPENSION - SPARE PARTS



Item	Part No.	Qty	Description	Item	Part No.	Qty	Description
1	90521191	1	Frame Bracket LH (NSE110 290-360)	15	90008209	1	Alignment Block (D-hole)
	90521193	1	Frame Bracket LH (NSE110 360-430)	16	90508015	1	Alignment Block Assembly
2	90521179	1	Frame Bracket RH (NSE110 290-360)	17	90036223	12	Wear Washer
	90521180	1	Frame Bracket RH (NSE110 360-430)	18	90034237	2	Air Spring Mtg Plate (NSE110 290-360)
3	xx 90516932	1	Equalising Beam Assembly LH		90554671	2	Air Spring Mtg Plate (NSE110 360-430)
	xx 90516933	1	Equalising Beam Assembly RH	19	* 90501383	1	Adapt. & Shock Brkt RH (127mm axle)
4	90557251	2	Air Spring		90501408	1	Adapt. & Shock Brkt RH (146mm axle)
	90557233	2	Air Spring - 9 tonne NSE110(V) only	20	* 90501382	1	Adapt. & Shock Brkt LH (127mm axle)
5	M0044020	2	Shock Absorber (290-360)		90501409	1	Adapt. & Shock Brkt LH (146mm axle)
	M0044023	2	Shock Absorber (360-430)	21	* 90001280	1	Adapter Plain LH (127mm axle)
6	20000083	2	Bolt Hex M12 x 1.75 x 100G		90001304	1	Adapter Plain LH (146mm axle)
7	20000120	4	Bolt M20 x 2.5 x 100	22	* 90001279	1	Adapter Plain RH (127mm axle)
8	20000170	5	Bolt Hex M30 x 3.5 x 210		90001303	1	Adapter Plain RH (146mm axle)
9	20003005	4	Nut Lock M20 x 2.5	23	^ 90501367	1	Adapter & Shock Brkt RH
10	20003007	6	Nut Hex lock M30 x 3.5	24	^ 90501368	1	Adapter & Shock Brkt LH
11	20003015	2	Nut Hex M12 x 1.75	25	^ 90001275	2	Adapter Plain
12	20003022	2	Nut M20 x 1.5 Fine Pitch	26	^ 90001272	4	Wrapper
13	20004020	4	Lock Washer M12	27	^ 90034223	8	Backing Plate
14	20004022	2	Lock Washer 20mm	28	90008207	6	Rubber Bush with Inner Sleeve
xx	Includes bush (item 28) - 3 per beam (Bush also available separately)			*	Parts for welded axle connection (for 127mm or 146mm dia axles)		
				^	Parts for clamped/non welded axle connection (127mm axle only)		

SERVICE REPAIR KITS

Kit no.	Part Number	Description	Contents of Kit
SRK-508	48100372	RH (fixed) Pivot Connection	1 x Item 28, 2 x Item 17, 1 x Item 8, 1 x Item 10
SRK-509	48100373	LH (adjustable) Pivot Connection	1 x Item 28, 2 x item 17, 1 x Item 16, 1 x Item 10, 1 x Item 15
SRK-506	48100370	Axle Connection (both sides)	4 x Item 28, 8 x Item 17, 4 x Item 8, 4 x Item 10

Note : It is recommended that both pivot connections are replaced at the same time



SAF-HOLLAND GmbH
Hauptstraße 26
D-63856 Bessenbach, Germany
Phone: +49 (0) 6095-301302
Fax: +49 (0) 6095-301200

HOLLAND EUROHITCH Ltd.
Hoo Farm Ind. Est. Worcester Rd.
Kidderminster, Worcs. DY11 7RA, UK
Phone: +44 (0) 1562-732010
Fax: +44 (0) 1562-732020

HOLLAND EUROPE GmbH
Altenkamp 9, D-33758
Schloss Holte-Stukenbrock, Germany
Phone: +49 (0) 5207-89560
Fax: +49 (0) 5207-895656