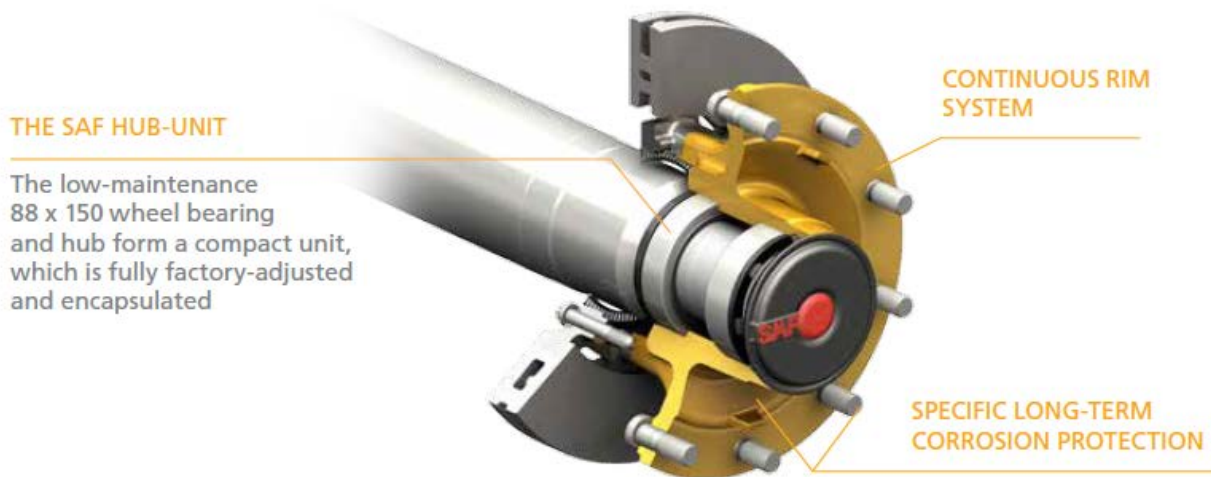


New 12 t MODUL axle with disc brake available since October 2016

Complex transport tasks and freight close to the loading limit are now the order of the day. SAF-HOLLAND has now optimized its 12-tonne axle range in the 22.5" range to meet the growing demands for efficiency.

You receive with the new 12 t axle program

- high-quality and economical components,
- modern wheel bearing technology in compact bearing design,
- the possibility to use the existing tool sets,
- a high degree of flexibility through the MODUL modular concept.



The new axle version designations are SI12-22K10 and ZI12-22K10.

since October 2016						
	Axle model	Basic axle type	Test report	Exciter ring teeth		
Single Tyre	SI12-22K10	SBK 2243	TDB0590	100		
	SIL12-22K10			100		
Twin tyre	ZI12-22K10					100
	ZIL12-22K10					100

The test report is to be found on the SAF-HOLLAND website under Sales / Test reports.