



FW35 Series

The World's Most Versatile and Proven Fifth Wheel
For Standard, Moderate and Severe-Duty



HOLLAND FW35 Series

HOLLAND FW35 – THE WORLD’S MOST VERSATILE AND PROVEN FIFTH WHEEL

This premium fifth wheel is designed for years of guaranteed performance, and has been the foundation for revolutionary new ideas that expand fifth wheel function and value. Available in a wide variety of models, including the FW33 LowLube™, the FW35 NoTilt, and the Kompensator®, the FW35 meets the needs of transportation industry for today and tomorrow.

SAF-HOLLAND TECHNOLOGY SETS US APART FROM THE REST

Since 1910, HOLLAND couplings have been earning a reputation for exceptional durability, performance and reliability. Our technology introduced multiple model options for solutions to everyday application problems. All of our technology has a simple goal; increase driver productivity while improving your fleet’s bottom line.

No other fifth wheel offers as many options as the FW35; over 100 custom options, providing unmatched versatility.



INDUSTRY LEADING!

**6 Years
600,000 Miles**

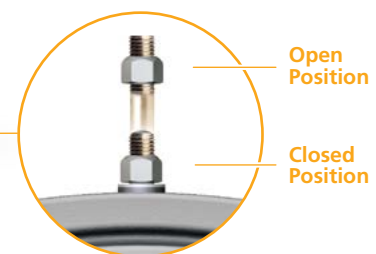
The HOLLAND FW35 Series is guaranteed for 6 Years/600,000 Miles to provide maximum operation performance.

In the unlikely case of wear requiring lock mechanism replacement, SAF-HOLLAND will cover the cost of parts, labor and freight.*

*Refer to warranty XL-FW10040WC for full details.



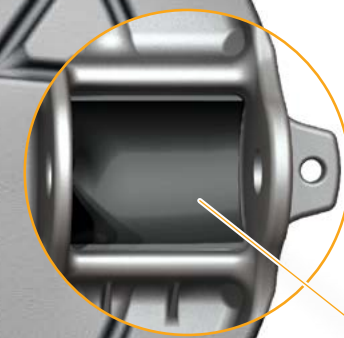
CAPACITY
55,000 lbs. (25,000 kg)
Maximum Vertical Load
150,000 lbs. (68,000 kg)
Maximum Drawbar Pull



Open Position
Closed Position

Visible Lock Indicator
Provides the driver with a clear visual indication – the shaft fully retracts when lock mechanism is properly closed around the kingpin.

Easy Lock Adjustment
Infinite adjustment positions improves lock and kingpin durability.



NoLube™
Articulation Pocket Liners
Provide smooth articulation with reduced maintenance.

Cast Steel Top Plate
Optimized casting process for maximum strength to weight ratio.

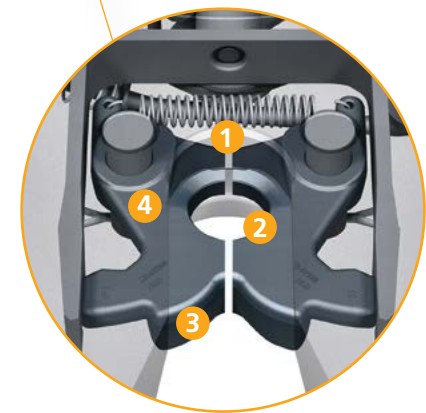
E-Z Grip™ Release Handle
Requires minimum effort and drop design protects handle from damage caused by kingpin during a missed couple. Provides automatic secondary lock to assure safety.



Precision TwinLock™ mechanism is designed for strength and reliability

The TwinLock™ design immediately captures the kingpin preventing impact bounce out for a quick and reliable couple.

- 1. High coupling protection**
Lock system protects against coupling at an improper height.
- 2. Much greater kingpin-to-lock contact area**
Larger contact area compared to competitive models, for longer kingpin and lock life.
- 3. Forged/cast steel locks**
Rear lock is forged, hardened, and machined steel. Front lock is machined and hardened wear-resistant alloy.
- 4. Precision machining**
Precision machining of lock mechanism for optimized kingpin interface.



HOLLAND FW35 ELI-te™

Electronic Lock Indicator – Technology Enhanced

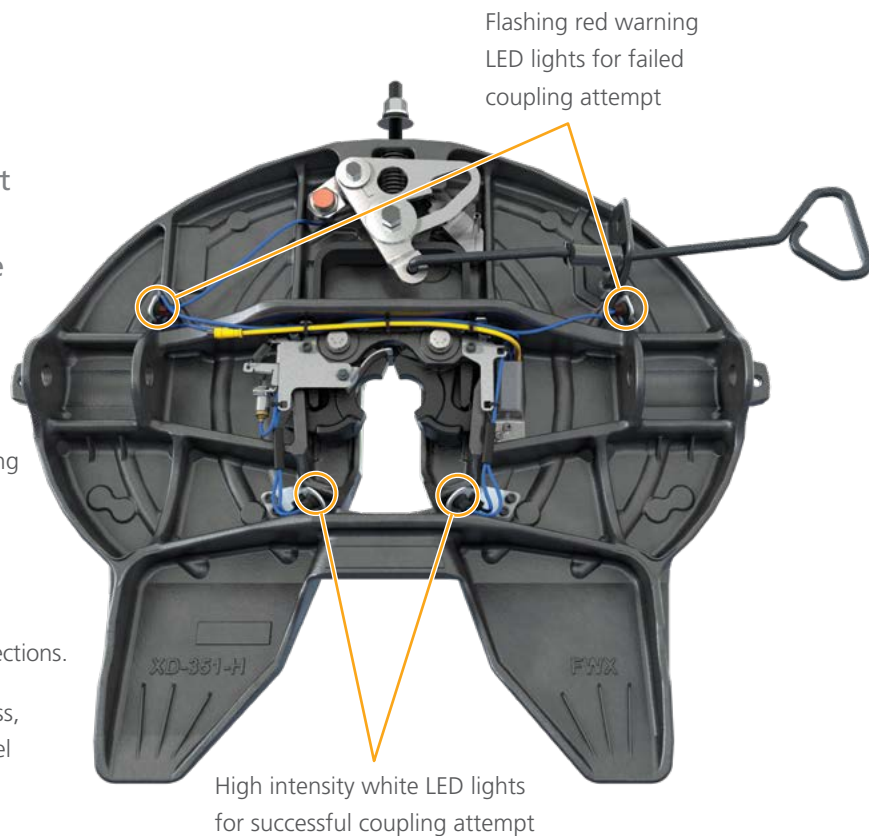
The HOLLAND ELI-te™ fifth wheel coupling assistant will help drivers GET IT RIGHT!

ELI-te™ assists the driver with LED lights on the fifth wheel to allow for quick recognition of a successful or failed coupling attempt. Drivers no longer need to guess on the success of the couple. ELI-te™ prevents potential mistakes before they happen.

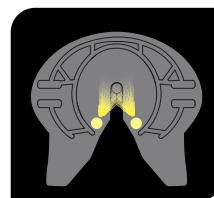
The ELI-te™ feature provides a significant advantage to fleets looking to provide their drivers with user friendly assistance that enhances coupling efficiency, driver confidence, and safety.

- Successful couplings trigger white LED lights to assist the driver with visual lock inspection prior to performing a tug test.
- Unsuccessful coupling triggers flashing red LED lights to notify the driver of an issue prior to tug test.
- Promotes consistent and thorough driver coupling inspections.
- Robust electrical components: sealed one-piece harness, long-life LED lights, durable inductive sensors, and steel encased logic module ensure reliable operation in the toughest conditions.
- Superior FW35 Series TwinLock™ reliability enhanced with intelligent logic and interactive LED lights to assist with coupling inspections.
- ELI-te™ option for the FW35 Series is user friendly, requires minimal maintenance, and is backed by a 2-year warranty.

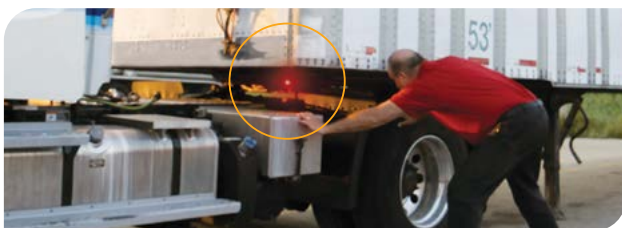
Energy efficient LED lights and sensors are strategically positioned under the top plate for maximum function, reliability, and protection.



FAILED COUPLING – In the case of a failed coupling attempt, bright red flashing LED lights assist the driver to quickly recognize a potentially costly mistake before attempting a tug test or driving away.



SUCCESSFUL COUPLING – A successful couple triggers high-intensity white LED lights, strategically aimed at the kingpin and lock for enhanced visibility during the inspection process, especially in poor weather and low-light conditions.



FW35 Vocational Mounting Options

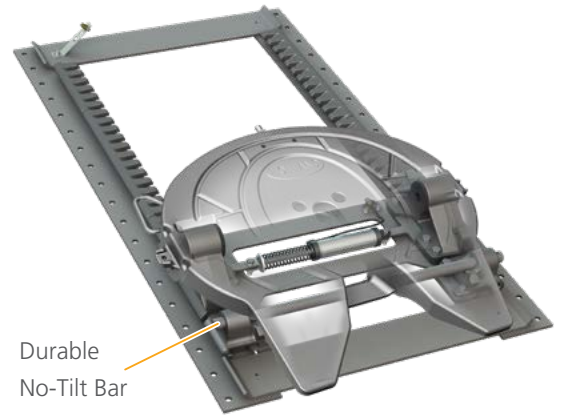


No-Tilt

The HOLLAND No-Tilt mounting base provides the solution for applications where articulation is provided by the trailer. Using high-strength steel and an enhanced casting design, the HOLLAND NO-TILT provides reliability in both articulation directions, and both push and pull vertical strains. Specially designed for maximum safety, reliability and durability.



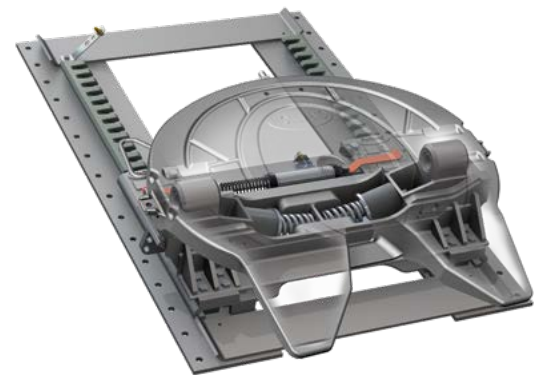
Sliding and Stationary No-Tilt mounting base models available.



Durable No-Tilt Bar

Kompensator®

The patented design of the HOLLAND Kompensator® cradles the fifth wheel to provide side-to-side compensation in uneven terrain. This allows more flexibility between tractor and trailer and reduces torque and twist transfer through the fifth wheel to the trailer.



FW35 and FW33 Top Plate Only Available on SDS with Kompensator® System

In-Cab Air Release

HOLLAND In-Cab Release improves safety, productivity, and helps reduce driver injury. Air Lock Release allows quick and safe uncoupling of the fifth wheel from the cab, and protects the driver from potential physical stress and muscle strain.

Simple, Easy to Operate, In-Cab Lock Release System



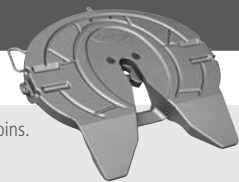
Corrosion resistant pneumatic cylinder



FW35 Fifth Wheel Specifications

FW35 Top Plate Only

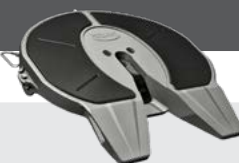
MODEL NUMBER		APPROX. WEIGHT
XA-351-A-L-P	Left Hand	226 lbs/103 kg
XA-351-A-P	Right Hand	226 lbs/103 kg



NOTE: Top Plate weights listed include 5 lbs/2.25kg for mounting pins.


FW33 and FW31 Top Plate Only

MODEL NUMBER		APPROX. WEIGHT
XA-331-A-L-P	Left Hand	251 lbs/114 kg
XA-331-A-P	Right Hand	251 lbs/114 kg




FW35 ILS™ Sliding Mount Fifth Wheel Models

OUTBOARD MOUNT			
MODEL NUMBER	NOMINAL F.W. HEIGHT	SLIDE TRAVEL	APPROX. WEIGHT
FW35A712XL00	7"	12"	414 lbs/188 kg
FW35A724XL00	7"	24"	447 lbs/203 kg
FW35A736XL00	7"	36"	481 lbs/219 kg
FW35A748XL00	7"	48"	514 lbs/233 kg
FW35A812XL00	8"	12"	418 lbs/190 kg
FW35A824XL00	8"	24"	452 lbs/205 kg
FW35A836XL00	8"	36"	486 lbs/220 kg
FW35A848XL00	8"	48"	519 lbs/235 kg
FW35A912XL00	9"	12"	422 lbs/191 kg
FW35A924XL00	9"	24"	456 lbs/207 kg
FW35A936XL00	9"	36"	489 lbs/222 kg
FW35A948XL00	9"	48"	523 lbs/237 kg
FW35A012XL00	10"	12"	434 lbs/197 kg
FW35A024XL00	10"	24"	468 lbs/212 kg
FW35A036XL00	10"	36"	501 lbs/227 kg
FW35A048XL00	10"	48"	535 lbs/243 kg




INBOARD MOUNT			
MODEL NUMBER	NOMINAL F.W. HEIGHT	SLIDE TRAVEL	APPROX. WEIGHT
FW35H712XL00	7"	12"	399 lbs/181 kg
FW35H724XL00	7"	24"	429 lbs/194 kg
FW35H736XL00	7"	36"	455 lbs/206 kg
FW35H748XL00	7"	48"	483 lbs/219 kg
FW35H812XL00	8"	12"	404 lbs/183 kg
FW35H824XL00	8"	24"	432 lbs/196 kg
FW35H836XL00	8"	36"	460 lbs/209 kg
FW35H848XL00	8"	48"	488 lbs/221 kg
FW35H912XL00	9"	12"	408 lbs/185 kg
FW35H924XL00	9"	24"	436 lbs/198 kg
FW35H936XL00	9"	36"	464 lbs/210 kg
FW35H948XL00	9"	48"	492 lbs/223 kg
FW35H012XL00	10"	12"	420 lbs/191 kg
FW35H024XL00	10"	24"	448 lbs/203 kg
FW35H036XL00	10"	36"	476 lbs/216 kg
FW35H048XL00	10"	48"	504 lbs/229 kg




NOTE: See the HOLLAND Fifth Wheel Catalog and Specification Guide (XL-FW10066SG) for more information.

FW35 Stationary Mount Fifth Wheel Models


FOOT MOUNT		
MODEL NUMBER	NOMINAL F.W. HEIGHT	APPROX. WEIGHT
FW35Y600XL00	6"	296 lbs/134 kg
FW35Y700XL00	7"	302 lbs/137 kg
FW35Y800XL00	8"	307 lbs/139 kg
FW35Y900XL00	9"	312 lbs/142 kg




FOOT MOUNT		
MODEL NUMBER	NOMINAL F.W. HEIGHT	APPROX. WEIGHT
FW35Z600XL00	6"	312 lbs/142 kg
FW35Z700XL00	7"	320 lbs/145 kg
FW35Z800XL00	8"	327 lbs/148 kg
FW35Z900XL00	9"	323 lbs/147 kg



BRACKETS ONLY FOR WELDING TO ANGLES		
MODEL NUMBER	NOMINAL F.W. HEIGHT	APPROX. WEIGHT
FW35X600XL00	6"	267 lbs/121 kg
FW35X700XL00	7"	273 lbs/124 kg
FW35X800XL00	8"	278 lbs/126 kg
FW35X900XL00	9"	283 lbs/128 kg



BRACKETS WITH MOUNTING ANGLES		
MODEL NUMBER	NOMINAL F.W. HEIGHT	APPROX. WEIGHT
FW35W600GL00*	6"	325 lbs/147 kg
FW35W700GL00*	7"	331 lbs/150 kg
FW35W800GL00*	8"	336 lbs/152 kg
FW35W900GL00*	9"	341 lbs/155 kg



FIFTH WHEEL FRAME WIDTH CODE CHART

FRAME WIDTH	CODE	FRAME WIDTH	CODE	FRAME WIDTH	CODE
33.25"	A	33.75"	E	34.25"	J
33.38"	B	33.88"	F	34.38"	K
33.50"	C	34.00"	G	34.50"	L
33.62"	D	34.12"	H		

* Standard angle dimensions – 4" x 4" x .38" x 36".
For frame width other than .34", replace "G" with appropriate letter from code chart.

FW33 LowLube Series Options

FW33 for reduced grease free operation.



INDUSTRY LEADING!
6 Years
600,000 Miles

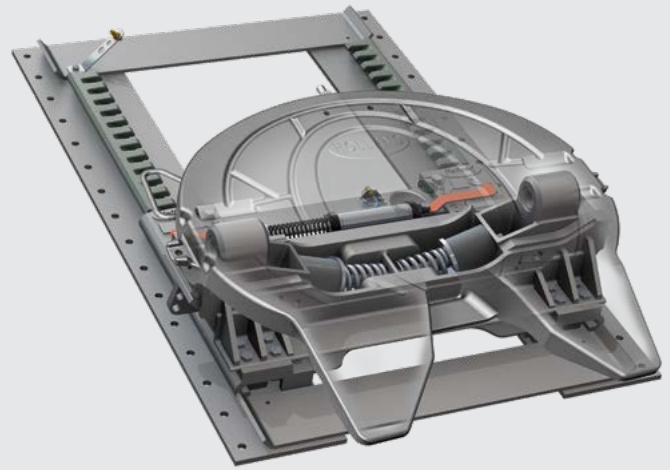
*Refer to warranty XL-FW10040WC for full details.

FW35 Severe-Duty Applications Fifth Wheel Specifications

FW35 Severe-Duty Sliding Kompensator Fifth Wheel Models

OUTBOARD MOUNT			
MODEL NUMBER	NOMINAL F.W. HEIGHT	SLIDE TRAVEL	APPROX. WEIGHT
FW35K312YL00	13"	12"	872 lbs/396 kg
FW35K324YL00	13"	24"	922 lbs/418 kg
FW35K336YL00	13"	36"	972 lbs/441 kg
FW35K348YL00	13"	48"	1022 lbs/464 kg
FW35K360YL00	13"	60"	1072 lbs/486 kg
FW35K372YL00	13"	72"	1122 lbs/509 kg

INBOARD MOUNT			
MODEL NUMBER	NOMINAL F.W. HEIGHT	SLIDE TRAVEL	APPROX. WEIGHT
FW35K312ZL00	13"	12"	859 lbs/390 kg
FW35K324ZL00	13"	24"	897 lbs/407 kg
FW35K336ZL00	13"	36"	935 lbs/424 kg
FW35K348ZL00	13"	48"	973 lbs/441 kg
FW35K360ZL00	13"	60"	1011 lbs/459 kg
FW35K372ZL00	13"	72"	1049 lbs/476 kg



**FW35 and FW33 Top Plate
Only Available in SDS with
Kompensator System**

FW35 Stationary Kompensator Fifth Wheel Models

OUTBOARD PLATE MOUNT		
MODEL NUMBER	NOMINAL F.W. HEIGHT	APPROX. WEIGHT
FW35-7729XL	10"	575 lbs/262 kg
FW35-7727XL	12"	640 lbs/290 kg
FW35-7726XL	13"	649 lbs/394 kg



For Air Release option, add "80" to end of model number. Example: FW35A712XL80.
For right-hand release, replace "L" with "R" in model number.

FW35 ILS™ Sliding No-Tilt Fifth Wheel Models

OUTBOARD MOUNT			
MODEL NUMBER	NOMINAL F.W. HEIGHT	SLIDE TRAVEL	APPROX. WEIGHT
FW35N906YL00	9"	6"	529 lbs/240 kg
FW35N918YL00	9"	18"	562 lbs/255 kg
FW35N930YL00	9"	30"	596 lbs/270 kg
FW35N942YL00	9"	42"	629 lbs/285 kg



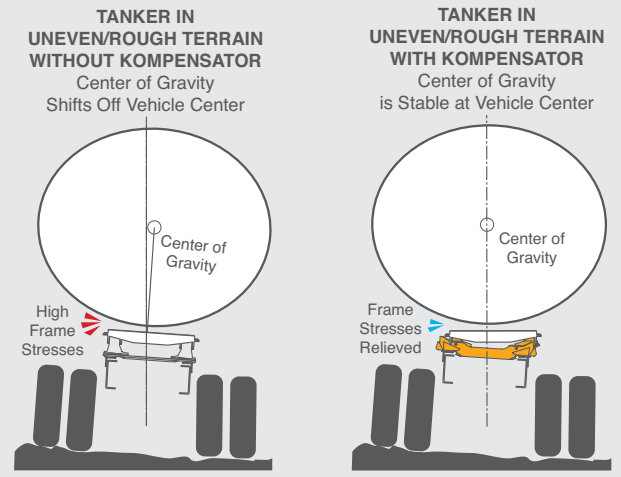
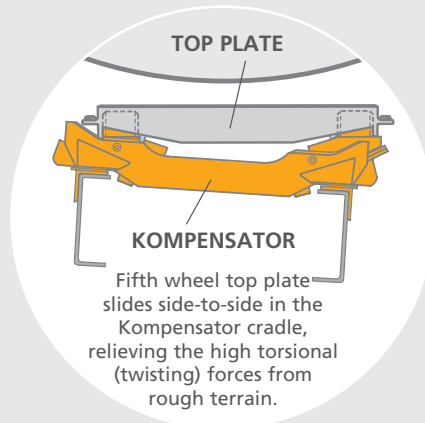
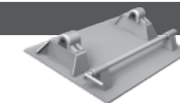
INBOARD FOR ANGLE MOUNTING			
MODEL NUMBER	NOMINAL F.W. HEIGHT	SLIDE TRAVEL	APPROX. WEIGHT
FW35N906WL00	9"	6"	510 lbs/231 kg
FW35N918WL00	9"	18"	540 lbs/245 kg
FW35N930WL00	9"	30"	568 lbs/258 kg
FW35N942WL00	9"	42"	596 lbs/270 kg



FW35 Stationary No-Tilt Mount Fifth Wheel Models

OUTBOARD MOUNT		
MODEL NUMBER	NOMINAL F.W. HEIGHT	APPROX. WEIGHT
FW35N800YL00	8"	480 lbs/218 kg
FW35N900YL00	9"	479 lbs/217 kg

INBOARD FOR ANGLE MOUNTING		
MODEL NUMBER	NOMINAL F.W. HEIGHT	APPROX. WEIGHT
FW35N800ZL00	8"	442 lbs/201 kg
FW35N900ZL00	9"	441 lbs/200 kg



Engineering Your Road to Success

The SAF-HOLLAND® Group is one of the leading international manufacturers of suspension-related assemblies and components for trailers, trucks and buses. Our innovative products increase the efficiency, safety and environmental friendliness of commercial vehicles, contribute to the success of our customers. With around 5,500 employees worldwide, we are at the forefront of shaping the future of the transportation industry.



Trailer Axles and
Suspension Systems



Coupling and Lifting
Technologies



Brake Solutions and
Air Valve Technologies



Suspensions and Components
for Commercial Vehicles



Suspensions for
Trucks and Buses



Trailer
Telematics



Coupling and Lifting
Technologies



Trailer Axles and
Suspensions Systems

safholland.com

SAF-HOLLAND, Inc

Tel 800.876.3929

SAF-HOLLAND Canada Limited

Tel 519.537.3494

Western Canada 604.574.7491

SAF-HOLLAND Mexico

Tel 52.55.5456.8641