



FLEETMASTER

SERVICE BULLETIN



Important Seasonal PM for your
FleetMaster (FW8) Fifth Wheel
August 26, 1999

The two most important items in eliminating fifth wheel operating difficulties are:

1. Proper Fifth Wheel P.M. Procedures (as needed lubrication)
2. Proper Coupling Procedures

1. PROPER FIFTH WHEEL P.M.

Routine periodic maintenance and lubrication are a necessary part of your FleetMaster fifth wheel's service life. To get the maximum service life, perform the steps below at the intervals shown:

- A. Inspect regularly and relubricate as necessary. Relube, as shown below.
- B. Thoroughly clean the locking mechanism every 6 months or 60,000 miles.
- C. Inspect for bent, broken or missing parts every 6 months or 60,000 miles. Replace as necessary (use only genuine Holland parts).
- D. Additional important inspection and adjustment information can be found in Holland FleetMaster Maintenance Procedures (publication XL-FW354).

CLEAN/LUBRICATE

Release handle-to-spring contact area See Section E.

Cam bolt

Release arm bolt

Plunger-to-wedge contact areas

Clean with spray: WD-40 or CRC

Lubricate with Lubriplate™ Chain and Cable Fluid or equivalent

GREASE

Pocket fittings (right and left sides)

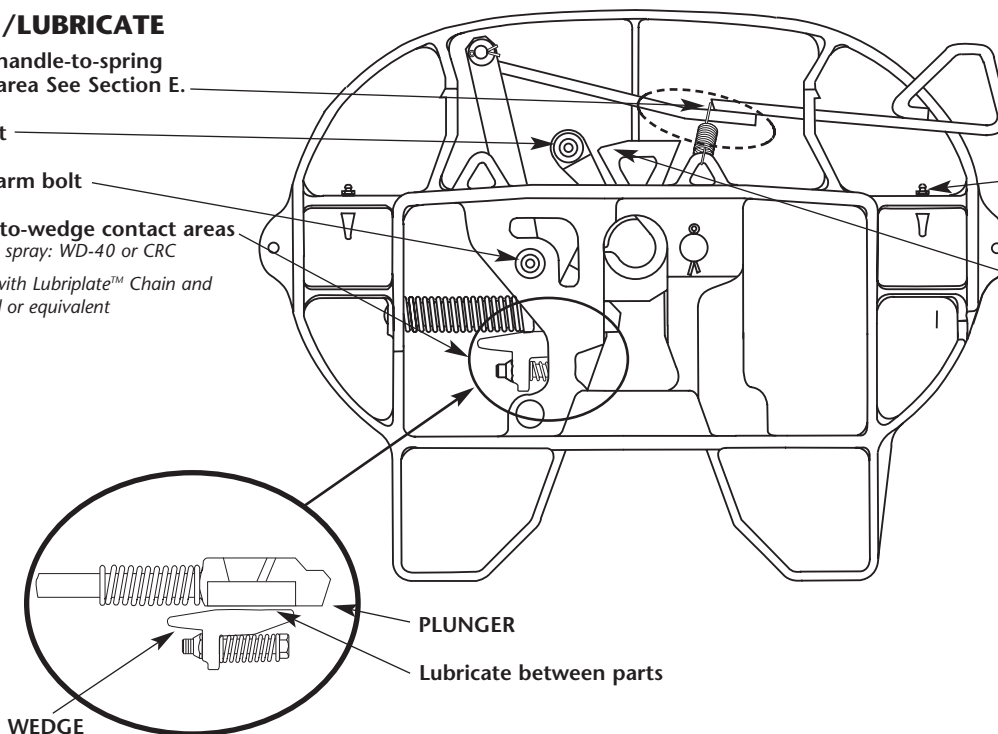
Swing lock-to-cam arm contact area

Recommended Greases:
A "low temp" grade recommended for -30°F or lower such as:

Cato Oil & Grease #5213

Craftsman Chemical Co. #LTF 2

Mystic LP-200 or equivalent



Copyright © August 1999 Holland Hitch Company

- E. Inspect the release handle. If your fifth wheel is **right-hand** (curb side) release, apply grease along the release handle where it contacts the handle spring (see **FIGURE 1A**). If you have a **left-hand** (driver side) release handle with a sliding spring, as shown in **FIGURE 1B**, apply grease along the release handle where it contacts the handle spring.

Lubrication is **NOT** required for **left-hand** (driver side) release handles that have a fixed spring (see **FIGURE 1C**).

Current production, as well as rebuild kits utilize the new fixed spring design. As noted above, this design eliminates the lubrication requirements of the handle and reduces the handle pull effort.

If you have a **left-hand** (driver side) release handle that does not have the fixed spring design — as shown in **FIGURE 1C** — contact your nearest Holland representative or distributor to order a handle replacement kit.

- F. Check the operation by locking and unlocking using a Holland lock adjustment tool (TF-TLN-5001). Verify that the fifth wheel is completely closed, as shown below.

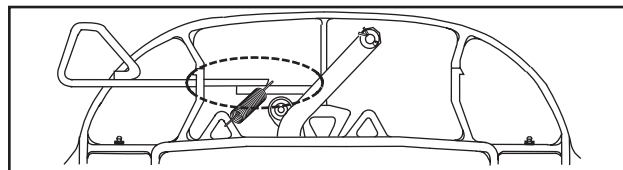


Figure 1a
Right Hand Release with Sliding Spring
(Grease Required)

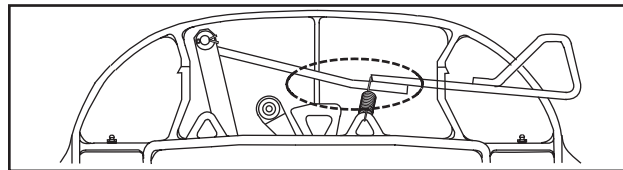


Figure 1b
Left Hand Release with Sliding Spring
(Grease Required)

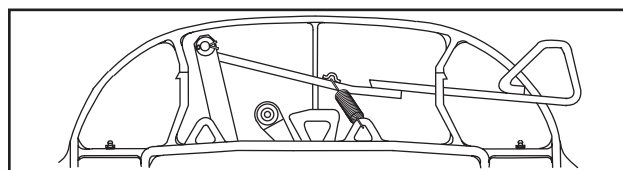


Figure 1c
Left Hand Release with Fixed Spring
(No Grease Required)

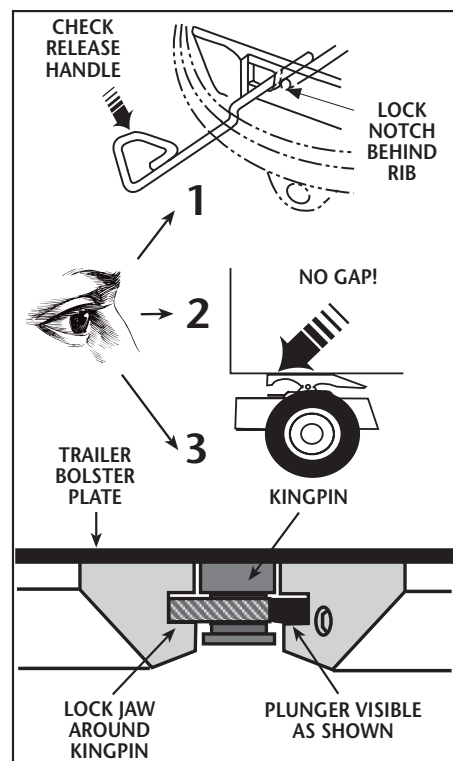
2. PROPER COUPLING PROCEDURES

One of the most common causes of coupling difficulties is improper coupling procedures. A visual inspection is the best way to insure proper coupling. Also, it is required by law as part of the pre-trip inspection.

Holland's FleetMaster Coupling flyer (Publication XL-FW357) highlights the most important steps in proper fifth wheel coupling. For copies of the FleetMaster Coupling flyer or any other service need, please contact your local Holland representative.

In the US, call 1-888-396-6501. In Canada, call 604-574-7491 for British Columbia, Alberta and Saskatchewan; or 519-537-2366 for Manitoba, Ontario, Quebec and Atlantic Canada.

Refer to the publications provided with your fifth wheel for complete FleetMaster (FW8) maintenance and operating procedures.



Copyright © November 2002 • The Holland Group, Inc.

Holland USA, Inc. Facilities:

Denmark, SC Muskegon, MI
Dumas, AR Warrenton, MO
Holland, MI Wylie, TX

Ph: 888-396-6501 Fax: 800-356-3929

Holland International, Inc.

Holland, MI
Phone: 616-396-6501
Fax: 616-396-1511

Holland Hitch of Canada, Ltd.

Woodstock, Ontario • Canada
Phone: 519-537-3494
Fax: 800-565-7753

Holland Equipment, Ltd.

Norwich, Ontario • Canada
Phone: 519-863-3414
Fax: 519-863-2398

Holland Hitch Western, Ltd.

Surrey, British Columbia • Canada
Phone: 604-574-7491
Fax: 604-574-0244