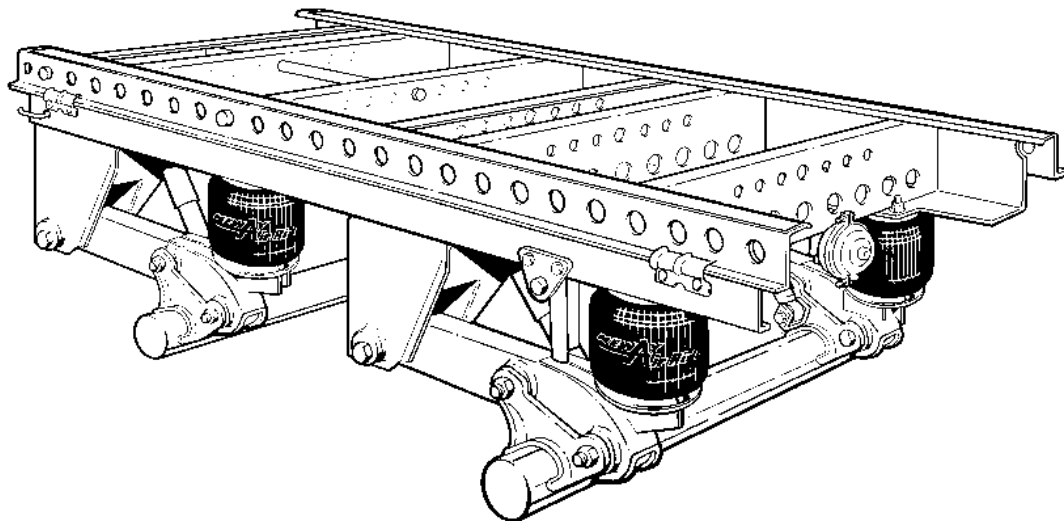


NEWLite®

NS Series Suspension/Slider *Parts List*

PARTS LIST

TRAILER AIR
NS SERIES



XL-AR416-01 Rev B.
Supersedes Part No. 941 00 854
Release Date: April 2005

*For Maintenance Information refer to Maintenance Manual
Form No. 2064; Part No. 941 00 855.*

Holland Neway International, Inc.
Technical/Customer Service
Tel: 1-800-237-8932



Serial Number Tag Information

Serial Number Tag Location

The NS Series Suspension Serial Tag is located on the rear crossmember (*Fig. 1*).

NOTE: This manual applies to the suspension series or models shown on front cover. However, we urge you to determine your specific model number, write that information below and refer to it when obtaining information or replacement parts.

NOTE: Refer to serial number tag attached to the slider rear crossmember for information.

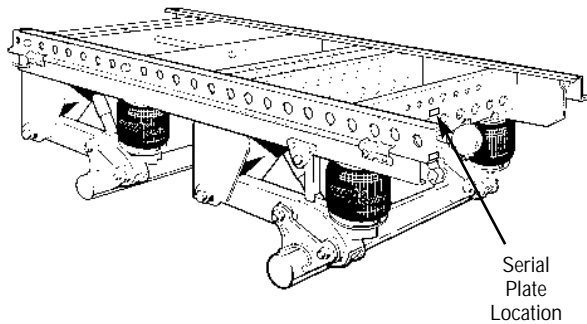
MODEL NUMBER: _____

SERIAL NUMBER: _____

PARTS LISTS NUMBER: _____

IN SERVICE DATE: _____

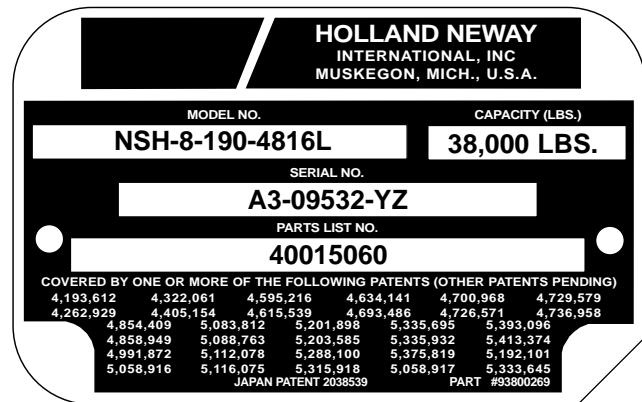
Figure 1. Serial Number Tag Location



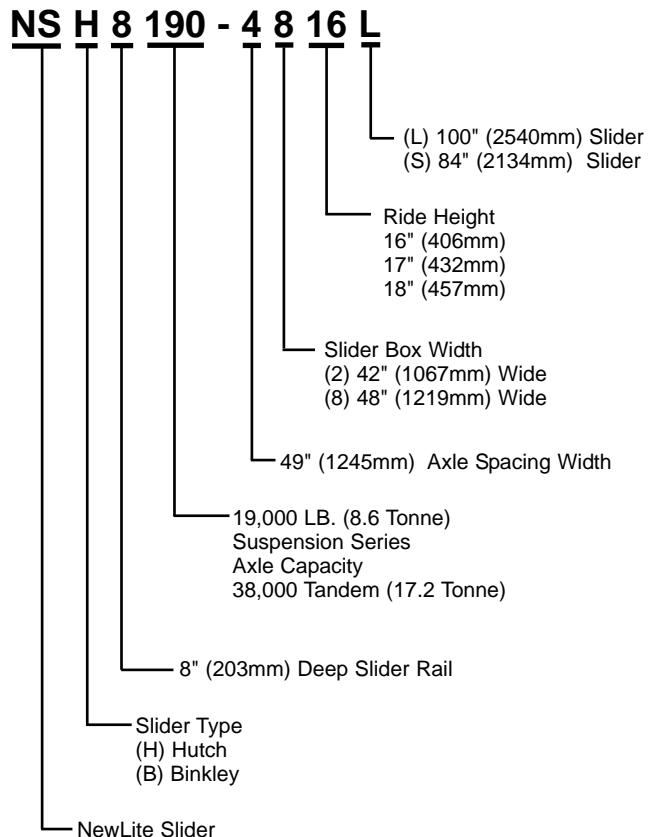
Serial Number Tag Description

The sample tag shown below will help you interpret the information on the Neway Serial Number Tag. The model number is on the first line along with the suspension capacity. The second line contains the serial number and the third line has the parts list numbers (*Fig. 2*). This information will aid you when calling Neway.

Figure 2. Neway Serial Number Tag



Model Number Description

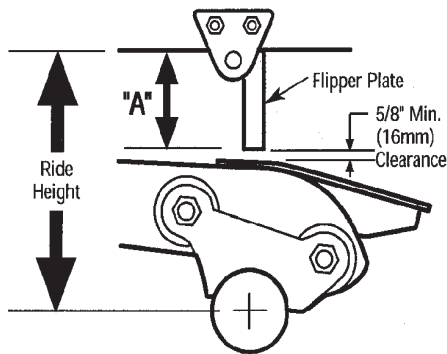


Suspension Model Identification

Verification of Suspension Model

1. If serial tag is unreadable, verify ride height by measuring the External Dock Lock (EDL) flipper plate height (Fig. 3) and compare to ride height from chart below. If unit is not equipped with EDL device, refer to Fig. 4 and Fig. 5.

Figure 3. EDL Flipper Plate Height



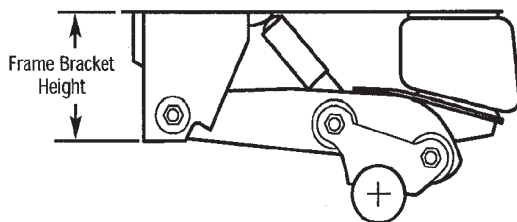
Flipper Plate Height Chart

Model No.	Ride Height	"A" Flipper Plate Height
NS-190-16	16" (406mm)	6.5" (165mm)
NS-190-16.5	16.5" (413mm)	5.25" (133mm)
NS-190-17	17" (425mm)	6.25" (159mm)
NS-190-18	18" (457mm)	8.5" (216mm)

Additional Suspension Model Verification Information

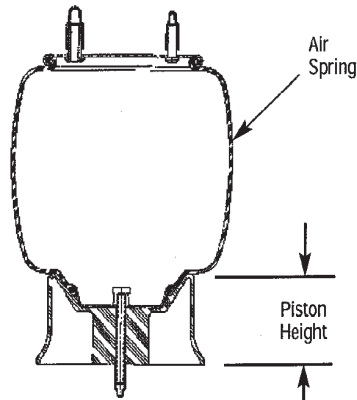
1. Verify ride height by measuring height of frame bracket (Fig. 4) and compare to *Frame Bracket and Piston Height Chart*.

Figure 4. Frame Bracket Height



2. Fully extend air spring and measure air spring piston height (Fig. 5) and compare to *Frame Bracket and Piston Height Chart* below.

Figure 5. Piston Height



NOTE: After determining frame bracket height and/or piston height, determine shock part no. and cross reference information in chart to confirm model number.

Frame Bracket and Piston Height Chart

Model No.	Frame Bracket Height	Piston Height	Shock Part No.
NS-190-16	9.25" (210mm)	2.75" (70mm)	900 44 162
NS-190-16.5	9.25" (235mm)	3.75" (95mm)	900 45 040
NS-190-17	10.25" (235mm)	4.75" (121mm)	900 45 040
NS-190-18	10.25" (260mm)	5.69" (144.5mm)	900 45 054

Slider Box Size Identification

Figure 6. NS 190/225 End View (84" & 100")

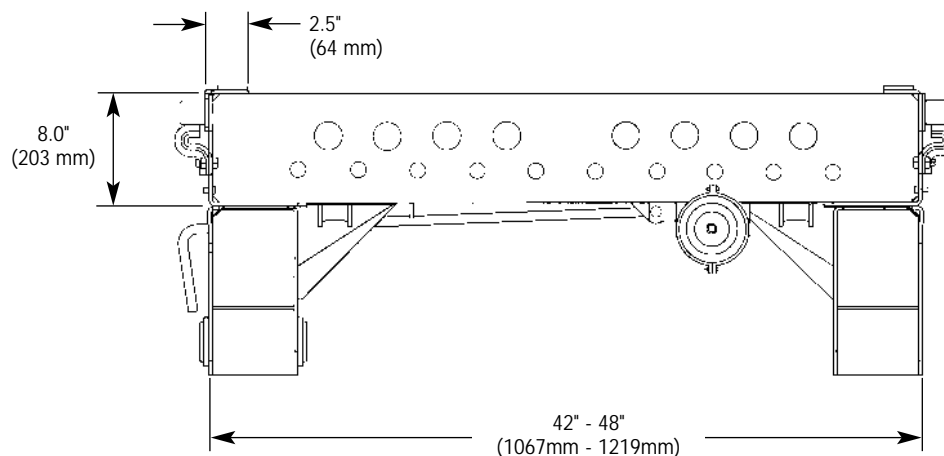


Figure 7. 84" NS190/225 Side View

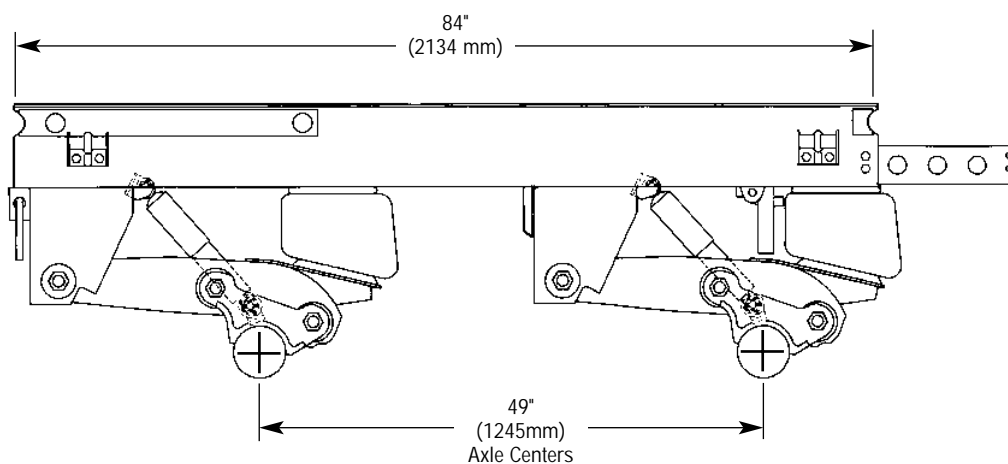
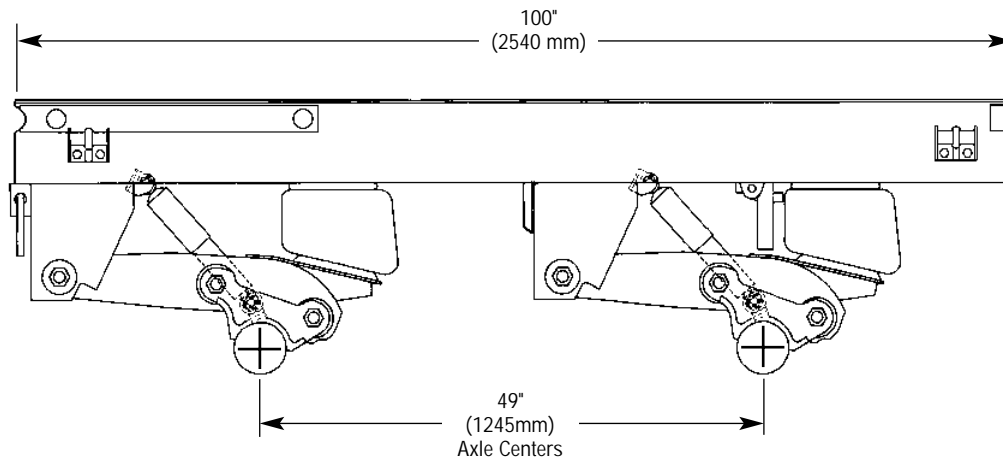


Figure 8. 100" NS190/225 Side View



Air Control Piping for AC-6100 & AC-6100-1

Parts List No. AC-6100 - 421 10 041
 Parts List No. AC-6100-1 - 421 10 051

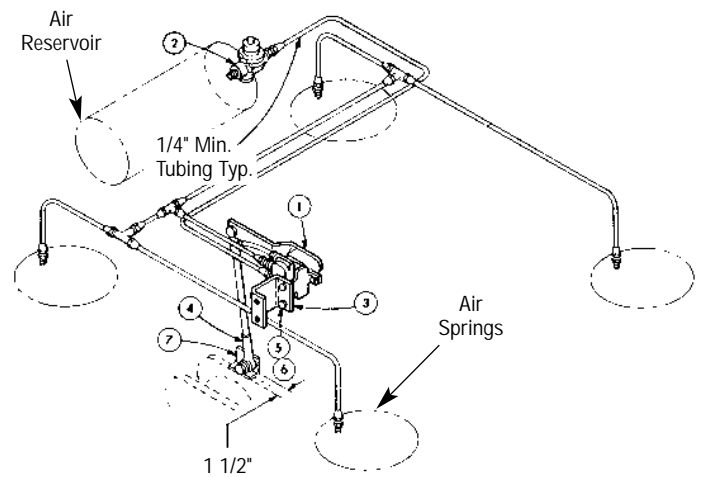
Air Control Parts List

Item No.	AC-6100 AC-6100-1	Description
1	1	Height Control Valve
2	1	Air Pressure Protection Valve & Filter
3	1	Mounting Bracket
4	1	SRK-168 Kit (Adj. Link Assembly)
5	2	Cap Screw 1/4" — 20 x 3/4"
6	2	Lock Nut 1/4" — 20
7	1	Axle Bracket
8	1	Decal (Operating)
9	1	Height Control Valve Instructions

IMPORTANT: Air pressure protection valve and filter maintains safe air brake pressure and cleans air. Set to 65 P.S.I. at factory. (Locate valve on air reservoir).

NOTE: If your suspension is equipped with External Dock Lock and Automatic Reset Feature refer to NS Series Maintenance Manual for detailed air control piping information.

Figure 9. Air Control Piping



Service Repair Kits (SRK's)

Pivot Connection Kits

Description	SRK No.	Part No.	Application
Both sides welded	SRK-203	481 00 264	1 Req. per Axle
1 side welded/ 1 side EZ Align	SRK-266	481 00 329	1 Req. per Axle
Both sides EZ Align	SRK-233	481 00 295	2 Req. per Axle

Axle Connection Kit

SRK No.	Part No.	Application
SRK-457	481-00-320	1 Req. per Axle

Figure 10. Pivot and Axle Connections

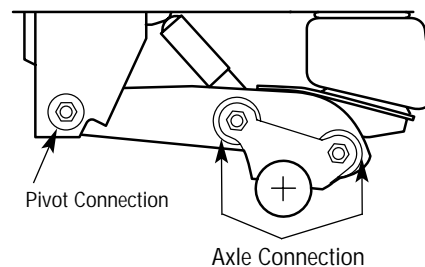
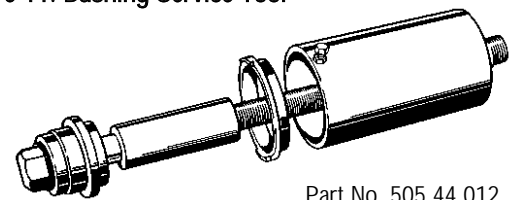
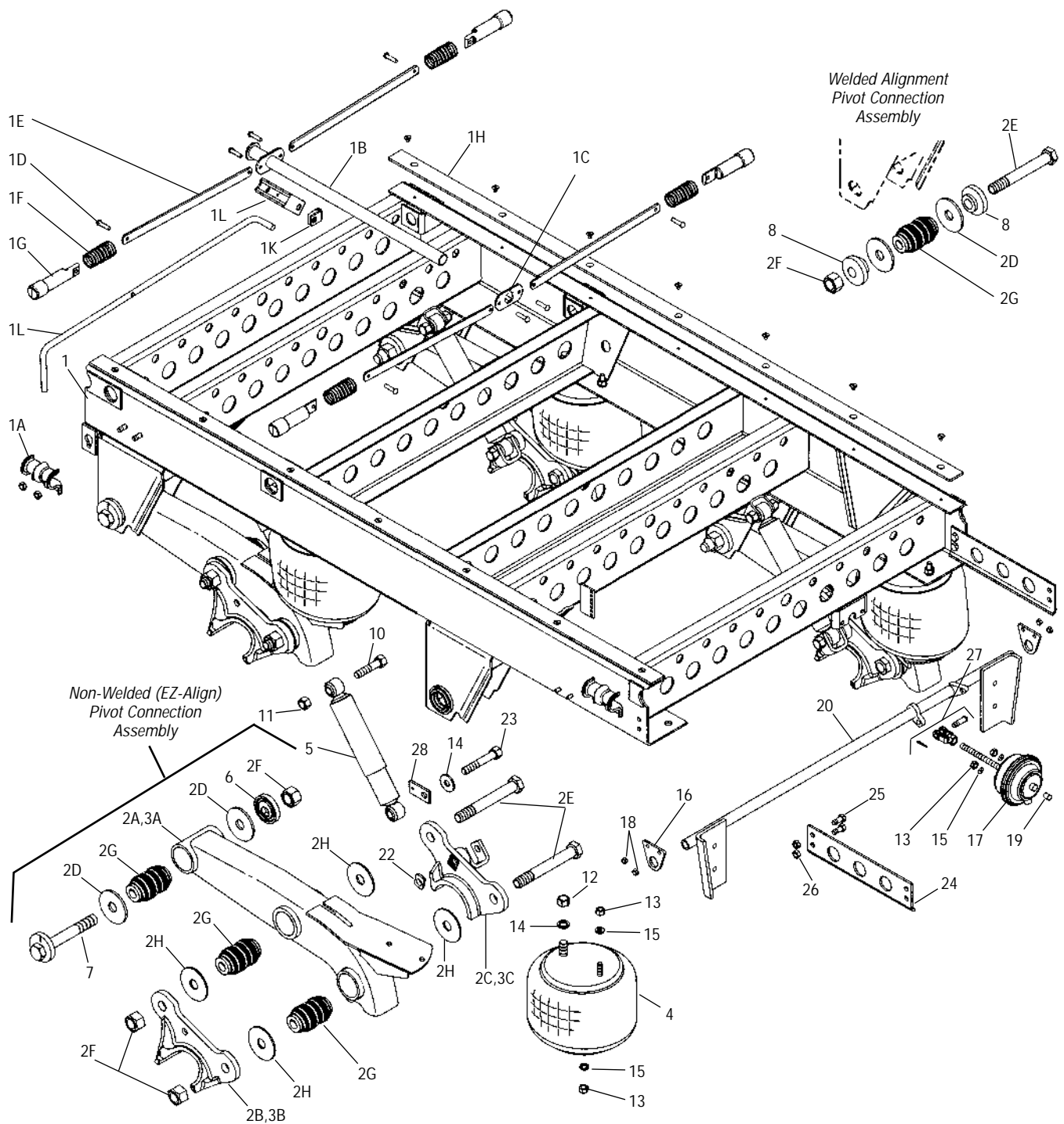


Figure 11. Bushing Service Tool



NS Series Parts List



NOTE: Frame Brackets, side rails and crossmembers cannot be replaced. If damaged, order complete slider item No. 1.

NOTE: Drawing depicts 84" slider box.

ITEM NO.	LENGTH	NS190-16.0	NS190-16.5	NS190-17.0	NS190-18.0	DESCRIPTION	QTY.		
1	2 NW* 2 WA* Frame Brkt.	84"	42" - 90546161 48" - 90546155	42" - 90546164 48" - 90546158	42" - 90546164 48" - 90546158	Slider Assembly	1		
		100"	42" - 90546211 48" - 90546205	42" - 90546214 48" - 90546208	42" - 90546214 48" - 90546208				
	4 NW* Frame Brkt.	84"	42" - 90546163 48" - 90546157	42" - 90546166 48" - 90546160	42" - 90546166 48" - 90546160			Slider Assembly	1
		100"	42" - 90546213 48" - 90546207	42" - 90546216 48" - 90546210	42" - 90546216 48" - 90546210				
1A	84"/100"	90045301	90045301	90045301	90045301	Clip (hold down)	4		
1B	84"/100"	90038413	90038413	90038413	90038413	Tube 28.5 x 1.31 x .109	1		
1C	84"/100"	90045302	90045302	90045302	90045302	Cam-puller	2		
1D	84"/100"	90034145	90034145	90034145	90034145	Rivet Pin	8		
1E	84"/100"	42" - 90034147 48" - 90034146	42" - 90034147 48" - 90034146	42" - 90034147 48" - 90034146	42" - 90034147 48" - 90034146	Link	4		
		90057092	90057092	90057092	90057092			Spring	
1F	84"/100"	90057092	90057092	90057092	90057092	Spring	4		
1G	84"/100"	90045303	90045303	90045303	90045303	Pin (cast lock)	4		
1H	84"/100"	90034133	90034133	90034133	90034133	Slider Pad	2		
1J	84"/100"	90045305	90045305	90045305	90045305	Clip (link attachment)	1		
1K	84"/100"	90045306	90045306	90045306	90045306	Crank	1		
1L	84"/100"	90045307	90045307	90045307	90045307	Pull Handle	1		
2A	84"/100"	90516816	90516816	90516816	90516816	Equalizing Beam LH (bushed beam only)	2		
2B	84"/100"	90001215	90001215	90001215	90001215	Axle Adapter LH (outside)	2		
2C	84"/100"	90501350	90501350	90501350	90501350	Axle Adapter LH (inside)	2		
2D	84"/100"	90036177	90036177	90036177	90036177	Pivot Connection Wear Washer	8		
2E	84"/100"	93201051	93201051	93201051	93201051	Hex Bolt 1.125-7 x 8.5 LG	10		
2F	84"/100"	93400506	93400506	93400506	93400506	Hex Lock Nut 1.125-7	6		
2G	84"/100"	90008149	90008149	90008149	90008149	Bushing	12		
2H	84"/100"	90036217	90036217	90036217	90036217	Axle Connection Wear Washer	16		
3A	84"/100"	90516817	90516817	90516817	90516817	Equalizing Beam RH (bushed beam only)	2		
3B	84"/100"	90001216	90001216	90001216	90001216	Axle Adapter RH (outside)	2		
3C	84"/100"	90501351	90501351	90501351	90501351	Axle Adapter RH (inside)	2		
4	84"/100"	90557223	90557225	90557225	90557194	Air Spring	4		
5	84"/100"	90044162	90045040	90045040	90045054	Shock Absorber	4		
6	84"/100"	90008186	90008186	90008186	90008186	Alignment Block	2		
7	84"/100"	90508009	90508009	90508009	90508009	Alignment Block Assembly	2		
8	84"/100"	90008198	90008198	90008198	90008198	Alignment Block	4		
10	84"/100"	93003597	93003597	93003597	93003597	Hex Bolt .75-10 x 3.50	8		
11	84"/100"	93400492	93400492	93400492	93400492	Hex Lock Nut .75-10	4		
12	84"/100"	93400149	93400149	93400149	93400149	Hex Nut .75-16	4		
13	84"/100"	93400136	93400136	93400136	93400136	Hex Nut .50-13	10		
14	84"/100"	93600077	93600077	93600077	93600077	Washer .78	8		
15	84"/100"	93600072	93600072	93600072	93600072	Washer .53	10		
16	84"/100"	90034101	90034101	90034101	90034101	EDL Rod Support Plate	2		
17	84"/100"	90546122	90546122	90546122	90546122	EDL Actuator Chamber	1		
18	84"/100"	93400472	93400472	93400472	93400472	Hex Lock Nut .38-16	4		
19	84"/100"	90054811	90054811	90054811	90054811	Choke Valve	4		
20	84"/100"	42" - 90546178 48" - 90546177	42" - 90546270 48" - 90546269	42" - 90546136 48" - 90546132	42" - 90546138 48" - 90546134	EDL Rod Assembly	4		
		93400367	93400367	93400367	93400367			Square Nut .75-10	
22	84"/100"	93003633	93003633	93003633	93003633	Hex Bolt .75-10 x 5.0	4		
23	84"/100"	93003633	93003633	93003633	93003633	Hex Bolt .75-10 x 5.0	4		
24	84" only	90034137	90034137	90034137	90034137	Mud Flap Bracket	2		
25	84" only	93002907	93002907	93002907	93002907	Hex Bolt .5-13	4		
26	84" only	93400480	93400480	93400480	93400480	Hex Lock Nut .50-13	4		
27	84"/100"	9999048	9999048	9999048	9999048	1/2" Clevis Assem. w/1/2" Pin	1		
28	84"/100"	90054814	90054814	90054814	90054814	HCV Link Bracket	1		

*NW = Non-welded

*WA = Welded Alignment



HOLLAND NEWAY INTERNATIONAL, INC.

A MEMBER OF THE HOLLAND GROUP

USA

1950 INDUSTRIAL BLVD.
P.O. BOX 425
MUSKEGON, MI 49443-0425
TEL: (231) 773-3271
FAX: (231) 766-3893

CANADA

595 ATHALONE AVENUE
P.O. BOX 698
WOODSTOCK, ONTARIO N4S 7Z5
TEL: (905) 670-8858
FAX: (905) 670-4382