

## SAF CBX40 & ULX40 Trailer Suspensions

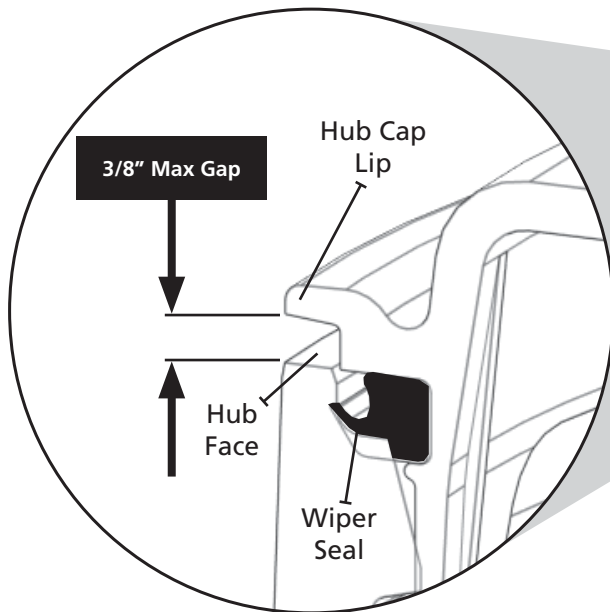
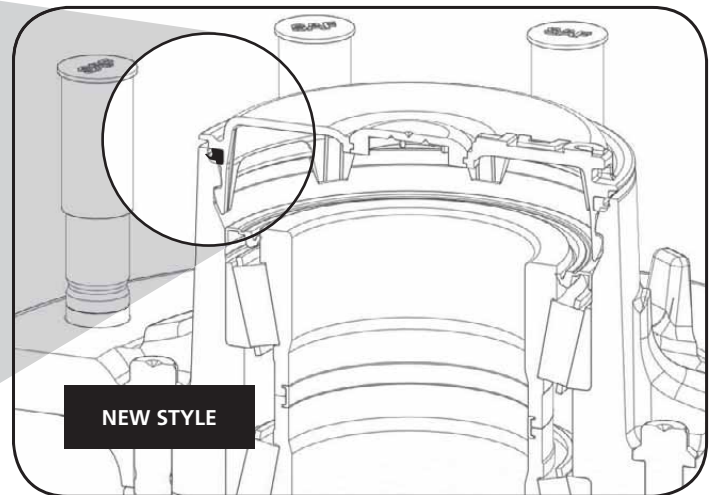
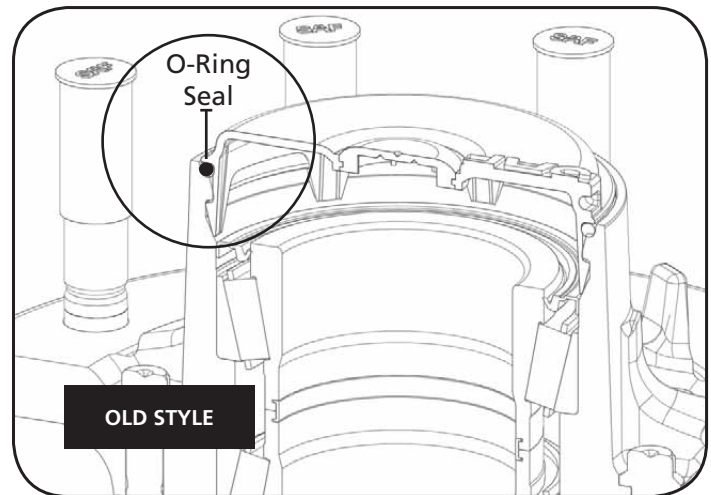
### Product Change Notice for INTEGRAL® C88 Disc Brake Hub Caps

Effective with shipments May 2015

#### Please Note:

A product change has been made to the C88 disc brake hub cap used on CBX40 and ULX40 trailer suspensions. In our ongoing efforts to provide the industries best disc brake system, we have improved the hub cap seal design from an o-ring seal to a wiper seal. The new hub cap is designed to work in new and old style hubs.

**IMPORTANT:** Because of the additional thickness of the new wiper seal, it is possible for a gap of up to 3/8" between the hub cap lip and the hub face. A gap will not affect the performance of the seal.



#### Part Number Change:

New Part Number	Old Part Number	Description
03304010202	03304010201Z	Standard C88 Hub Cap
03304010901	03304010900Z	C88 Hub Cap with MTIS Prep
03304010302	03304010301Z	C88 Hub Cap with Hubodometer Prep