

Service Bulletin

Height Control Valve

CBXA40 Height Control Valve Upper Bracket Position

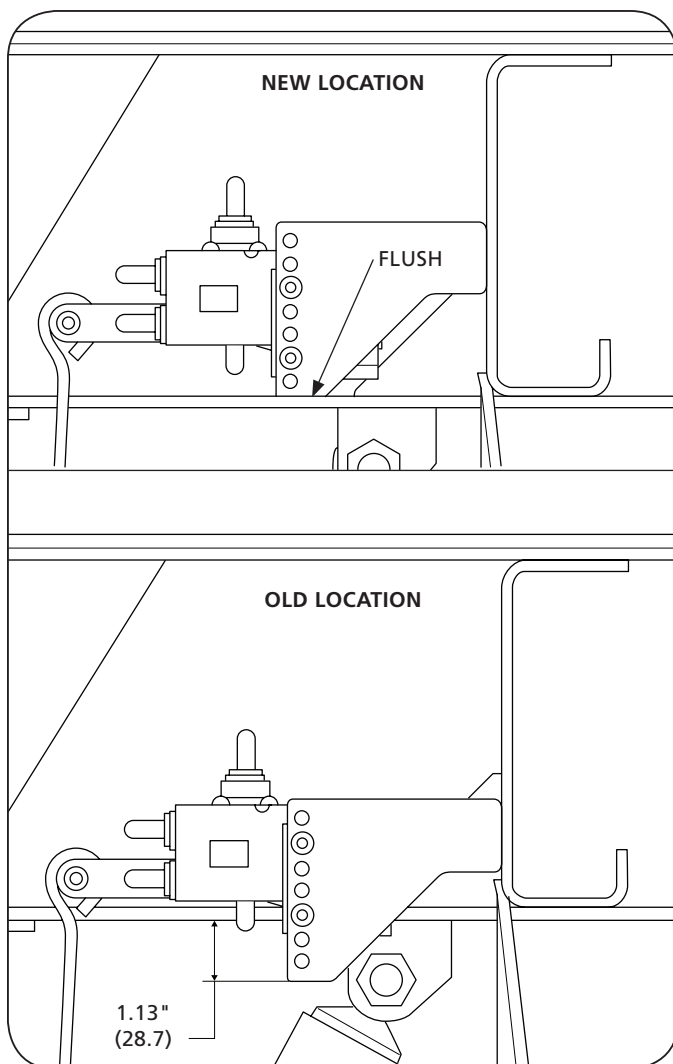
October 2017

CBXA40 built between the dates of September 1st 2017 thru October 4th 2017 may have the HCV bracket installed improperly. Units affected may have ride height set lower than intended. SAF-HOLLAND® has developed the following instruction to address these units.

IMPORTANT: Trailer MUST be unloaded before beginning any service procedures.

⚠ WARNING Failure to properly support the suspension during maintenance could create a crush hazard which, if not avoided, could result in death or serious injury.

Figure 1

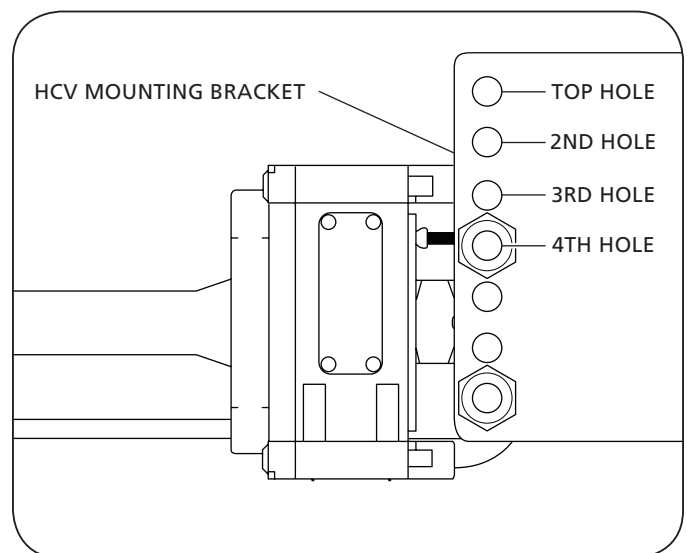


- Determine the location of the height control valve (HCV) upper bracket (**Figure 1**).
- If the HCV bracket is located 1.13" below the slide box frame rail (OLD LOCATION), no revision to the ride height should be necessary. Use the chart below to determine the appropriate HCV position based on ride height (**Table 1 and Figure 2**).

Table 1

MOUNTING HOLE	"A" RIDE HEIGHT	
	INCH	MM
2ND	16.00"	406.4
3RD	16.50"	419.1
4TH	17.00"	431.8
4TH	18.00"	457.2

Figure 2



- If the HCV bracket is located flush with the slide box frame rail (NEW LOCATION), proceed to next step below.
- Replace 15" HCV double loop link with 16" HCV double loop link (SAF-HOLLAND Part Number 90560125).
- Reposition the HCV using **Table 2 and Figure 3**.
- With the HCV in the new location and the 16" double loop link installed check the ride height and make adjustments to be within $\pm 0.25"$ (**Figure 4**).

Table 2

MOUNTING HOLE	"A" RIDE HEIGHT	
	INCH	MM
2ND	N/A	N/A
3RD	16.00"	406.4
4TH	16.50"	419.1
4TH	N/A	N/A

Figure 3

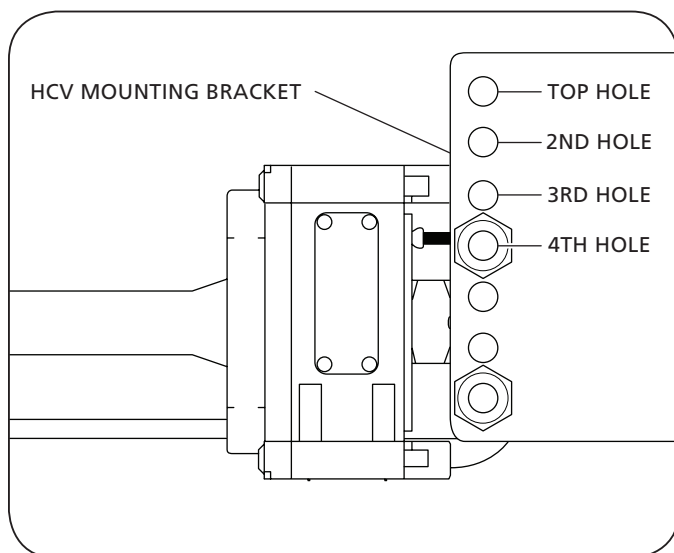


Figure 4

