



SAF-HOLLAND Group

# FIFTH WHEEL

## MARKETING BULLETIN

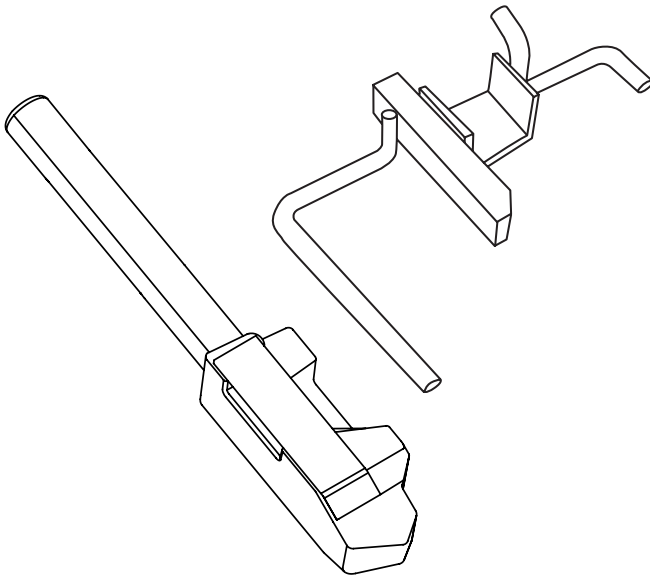
### FW8 (FleetMaster)

**Wedge Stop Block and Plunger Lock with Strap have been removed from the standard rebuild kits.**

June 2009

**Plunger Lock w/Strap**  
XA-10474

**Wedge Stop Block**  
XA-09590



Standard Rebuild Kits **WITHOUT** Wedge Stop Block or Plunger Lock with Strap

KIT NUMBER	TOP PLATES
RK-201-A3	XA-201-A, XA-201-A-06, XA-201-A1-06 and XA-201-A-24
RK-201-A3-L	XA-201-A-L, XA-201-A-06-L, XA-201-A1-06-L, XA-201-A-24-L
RK-201-A3-02	XA-201-A-02
RK-201-A3-02-L	XA-201-A-02-L and XA-201-A-48-L
RK-201-A3-14	XA-201-A-14
RK-201-A3-14-L	XA-201-A-14-L and XA-201-A-48-L
RK-201-A3-80-L	XA-201-A-80-L
RK-201-A3-L-UP	XA-201-A-24-L-UP

As of June 2009, the wedge stop block (XA-09590) and plunger lock with strap (XA-10474) will no longer be included with the standard FW8 (FleetMaster) rebuild kits. Since 1999, the wedge stop block and plunger lock with strap have been included in all FW8 rebuild kits to cover a very small percentage of pre-1999 fifth wheels that did not have the stop wedge cast into the top plate.

Removal of the wedge stop block reduces the kit weight and an unnecessary part.

Note: The wedge stop block and plunger lock with strap will still be included in kit number RK-09590-W.

If you have any questions, please call the SAF-HOLLAND customer service department at 888-396-6501.

Rebuild Kits **WITH** Wedge Stop Block and Plunger Lock with Strap for pre-1999 FW8 Fifth Wheels

KIT NUMBER	TOP PLATES
RK-201-A3-W	XA-201-A, XA-201-A-06, XA-201-A1-06 and XA-201-A-24
RK-201-A3-L-W	XA-201-A-L, XA-201-A-06-L, XA-201-A1-06-L, XA-201-A-24-L
RK-201-A3-02-W	XA-201-A-02
RK-201-A3-02-L-W	XA-201-A-02-L and XA-201-A-48-L
RK-201-A3-14-W	XA-201-A-14
RK-201-A3-14-L-W	XA-201-A-14-L and XA-201-A-48-L
RK-201-A3-80-L-W	XA-201-A-80-L
RK-201-A3-L-UP-W	XA-201-A-24-L-UP

SAF-HOLLAND USA, Inc. · 888.396.6501 · Fax 800.356.3929  
SAF-HOLLAND Canada Limited · 519.537.3494 · Fax 800.565.7753  
Western Canada · 604.574.7491 · Fax 604.574.0244  
[www.safholland.us](http://www.safholland.us)

