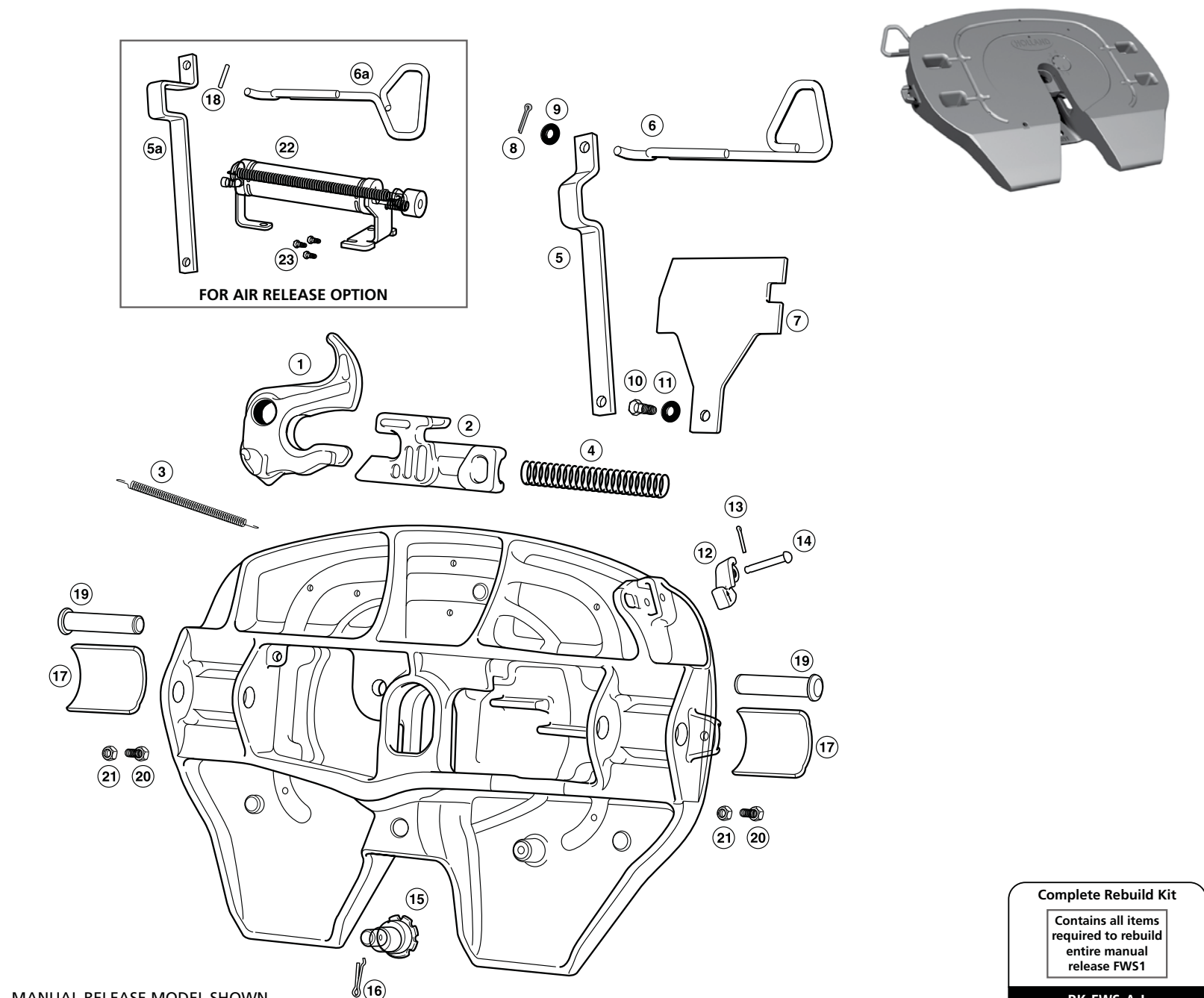


HOLLAND FWS1, SIMPLEX SE & SIMPLEX LITE FIFTH WHEELS



Holland FWS1 Series Parts List



MANUAL RELEASE MODEL SHOWN

ITEM	DESCRIPTION	PART NO.
1	Jaw	XA-4109939
2	Lock	4109931
3	Jaw Return Spring	1200101
4	Lock Spring	1200706
5	Lever Bar (Manual Pull)	4100373
5a	Lever Bar (Air Release)	XA-11113
6	Handle (Manual Pull)	XA-10990
6a	Handle (Air Release)	XA-11112
7	Cover Plate	XA-10969
8	Cotter Pin 3/16" x 1-1/4"	XB-11091
9	Washer 1/2"	XB-T-49
10	Hex Head Shoulder Bolt	XB-11127
11	Washer 5/8"	XB-T-199

ITEM	DESCRIPTION	PART NO.
12	Lock Indicator	XD-11121
13	Cotter Pin 1/8" x 1-1/4"	84261
14	Indicator Pin	XB-10996
15	Eccentric Jaw Pin	XA-10971
16	Clinch Pin 3/16" x 1-1/4"	9900170
17	Pocket Insert (Qty 2)	RK-PKT-2
18	Roll Pin 3/16" x 1.15"	9900181
19	Bracket Pin	XE-06356
20	HHCS 1/2" - 20 x 1-1/4"	XB-C-95
21	Locknut 1/2" - 20	XB-T-69-A
22	Air Cylinder	XA-10999
23	HHCS 3/8" - 16 x 1/2"	XB-11027

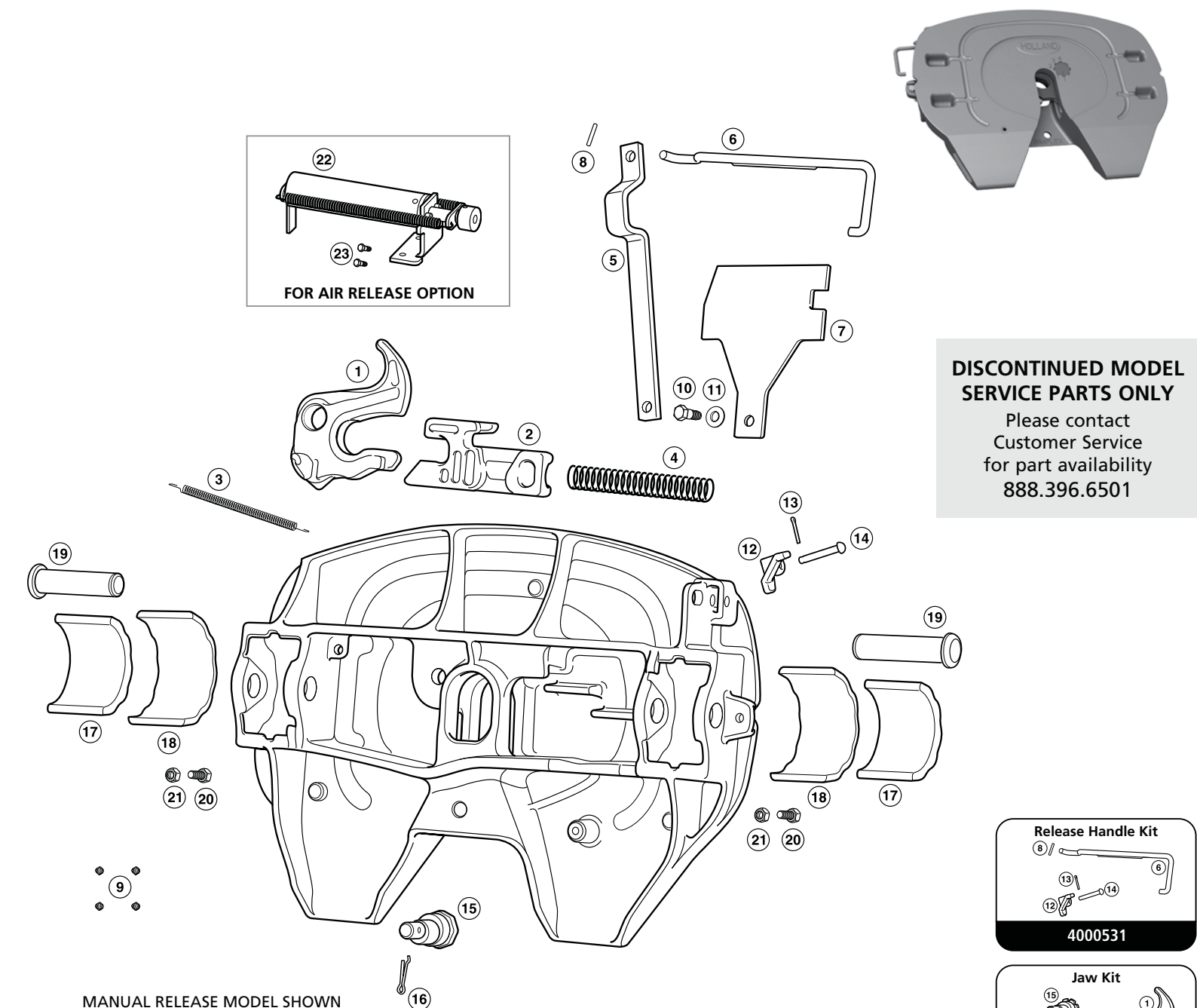
Complete Rebuild Kit
Contains all items required to rebuild entire manual release FWS1
RK-FWS-A-L

Release Handle Kit
RK-10990

Jaw Kit
RK-4109939

Air Cylinder Replacement Kit
RK-10999

Holland Simplex SE Series Parts List



MANUAL RELEASE MODEL SHOWN

ITEM	DESCRIPTION	PART NO.
1	Jaw	XA-4109939
2	Lock	4109931
3	Jaw Return Spring	1200101
4	Lock Spring	1200706
5	Lever Bar	4100373
6	Handle	4100420
7	Cover Plate	XA-10969
8	Roll Pin	9900181
9	Grease Fitting	84787
10	Hex Head Shoulder Bolt	XB-11127
11	Washer 5/8"	XB-T-199
12	Lock Indicator	4100294
13	Cotter Pin 1/8" x 1-1/4"	84261
14	Indicator Pin	5400711

ITEM	DESCRIPTION	PART NO.
15	Eccentric Jaw Pin	4109921
16	Clinch Pin 3/16" x 1-1/4"	9900170
17	.33" Bracket Insert (Qty 2)	4000640
18	.38" Bracket Insert (Qty 2)	4000528
19	.42" Bracket Insert (Qty 2)	4000587
20	HHCS 1/2" - 20 x 1-1/4"	XB-C-95
21	Locknut 1/2" - 20	XB-T-69-A
22	Air Cylinder	4100423
23	HHCS 3/8" - 16 x 3/4"	9900182

DISCONTINUED MODEL SERVICE PARTS ONLY
Please contact Customer Service for part availability 888.396.6501

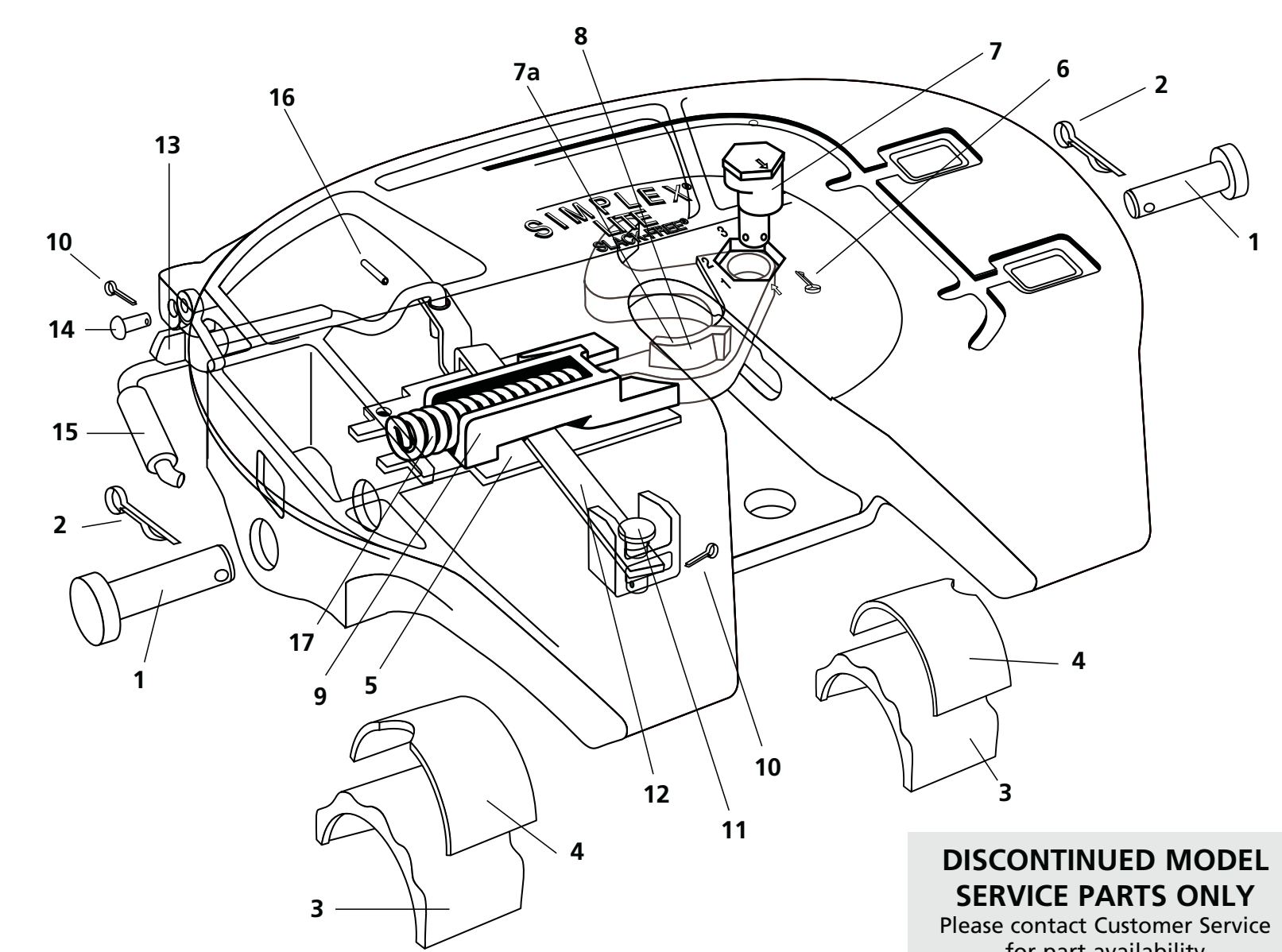
Release Handle Kit
4000531

Jaw Kit
4000644

Lock Kit
4000647

Bracket Connection Kit
4000641 (.33" Pads)
4000504 (.38" Pads)
4000588 (.42" Pads)

Simplex Lite Straight Pull Parts List



ITEM NO.	DESCRIPTION	PART NO.
1	Bracket Pins (2 required)	5400705
2	Clinch Pins for Bracket Pins (2 required)	9900169
3	Bracket Shoes (2 required)	4100328
4	Bracket Pads (2 required)	4100329
5	Cover Plate	4100155
6	Clinch Pin for Jaw Pin	9900170
7	Jaw Pin (standard)	4109916
7a	Jaw Pin (oversize - not shown)	4109977
8	Jaw*	4109935

ITEM NO.	DESCRIPTION	PART NO.
9	Lock	4109931
10	Cotter Pin (2 required)	84261
11	Lever Bar Pin	4000250
12	Lever Bar	4100373
13	Safety Indicator	4101250
14	Safety Indicator Pin	5400711
15	Operating Rod	4100382
16	Slotted Spring Pin	9900181
17	Lock Spring	1200706

* Note: The current jaw 4109935, which replaces the previous design jaw 4109930, does not contain the lug "a" as pictured above.

REBUILD KITS

KIT AVAILABLE	ITEMS INCLUDED IN KIT	PART NO.
Jaw Rebuild Kit	6, 7, 8	4000501
Jaw Rebuild Kit (oversize)	6, 7a, 8	4000502
Bracket Pad Kit	4	4000528

KIT AVAILABLE	ITEMS INCLUDED IN KIT	PART NO.
Jaw Rebuild Kit	6, 7, 8	4000501
Jaw Rebuild Kit (oversize)	6, 7a, 8	4000502
Bracket Pad Kit	4	4000528



800.876.3929
www.safholland.us

