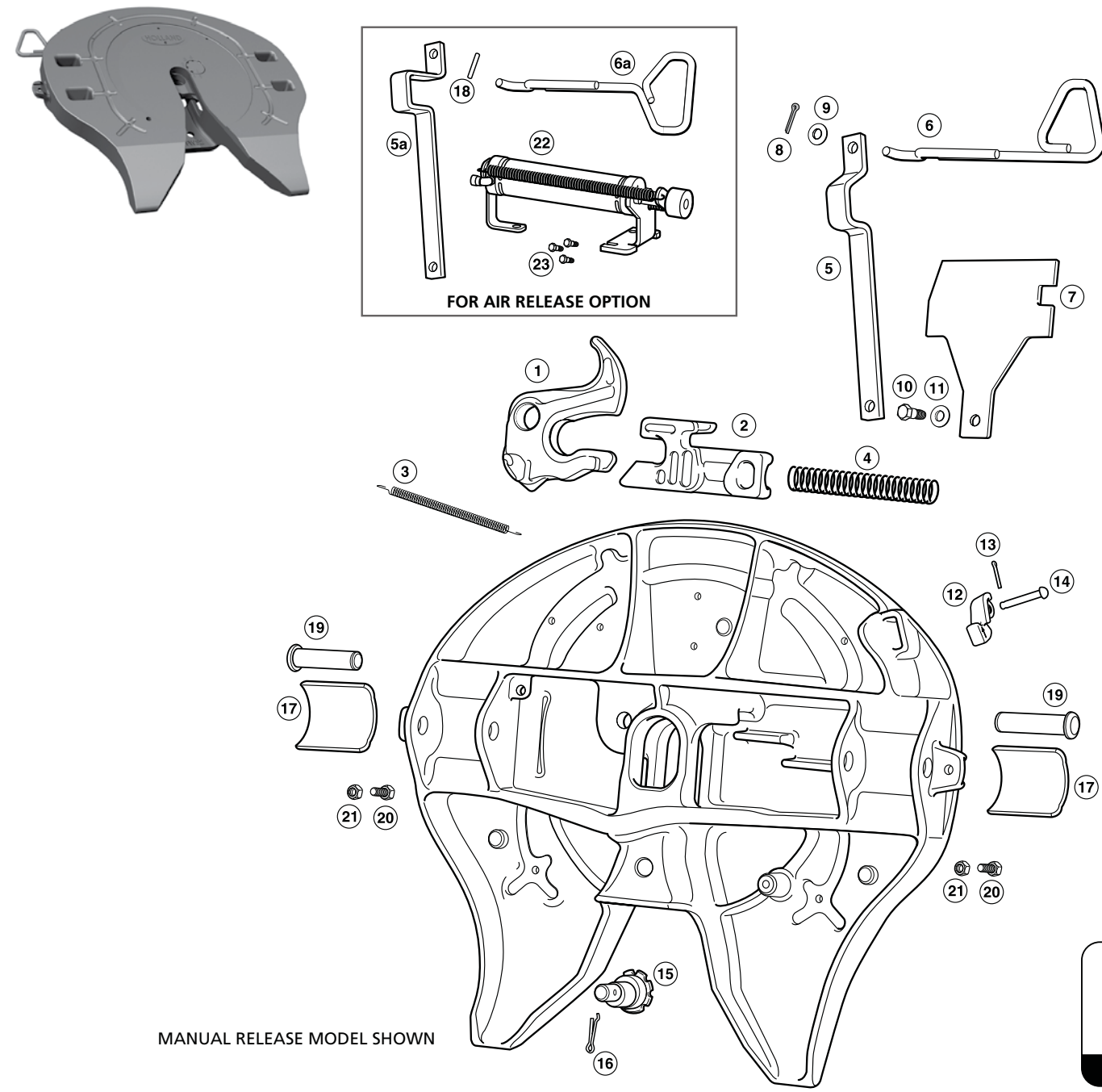


HOLLAND FWS2, SIMPLEX II SE & SIMPLEX II FIFTH WHEELS



Holland FWS2 Series Parts List



ITEM	DESCRIPTION	PART NO.
1	Jaw	XA-4109939
2	Lock	4109931
3	Jaw Return Spring	1200101
4	Lock Spring	1200706
5	Lever Bar (Manual Pull)	4100373
5a	Lever Bar (Air Release)	XA-11113
6	Handle (Manual Pull)	XA-10990
6a	Handle (Air Release)	XA-11112
7	Cover Plate	XA-10969
8	Cotter Pin 3/16" x 1-1/4"	XB-11091
9	Washer 1/2"	XB-T-49
10	Hex Head Shoulder Bolt	XB-11127
11	Washer 5/8"	XB-T-199
12	Lock Indicator	XD-11121

ITEM	DESCRIPTION	PART NO.
13	Cotter Pin 1/8" x 1-1/4"	84261
14	Indicator Pin	XB-10996
15	Eccentric Jaw Pin	XA-10971
16	Clinch Pin 3/16" x 1-1/4"	9900170
17	Pocket Insert (Qty 2)	RK-PKT-2
18	Roll Pin 3/16" x 1.15"	9900181
19	Bracket Pin	XE-06356
20	HHCS 1/2" - 20 x 1-1/4"	XB-C-95
21	Locknut 1/2" - 20	XB-T-69-A
22	Air Cylinder	XA-10999
23	HHCS 3/8" - 16 x 1/2"	XB-11027

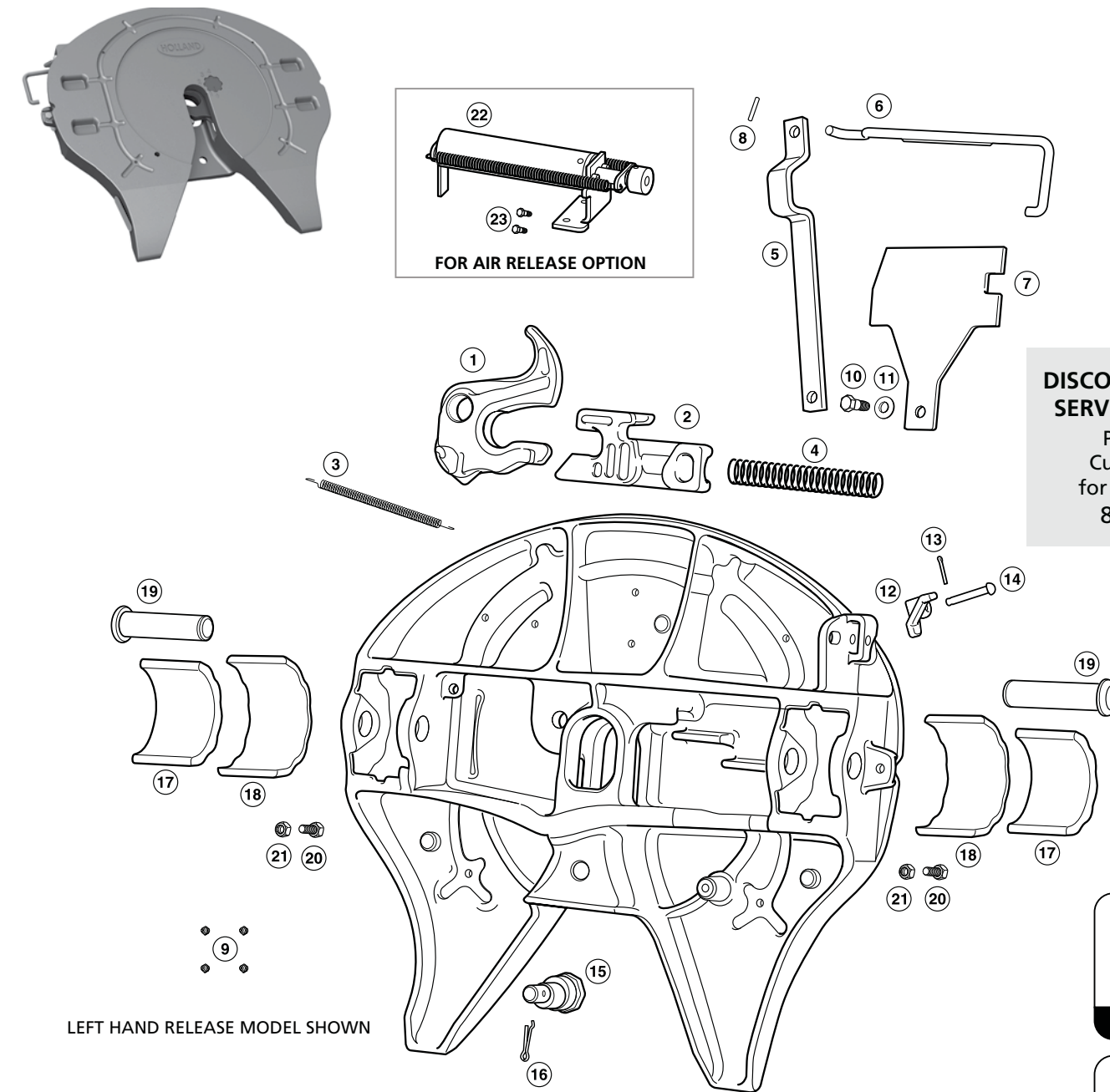
Complete Rebuild Kit
Contains all items required to rebuild entire manual release FWS2
RK-FWS-A-L

Release Handle Kit
RK-10990

Jaw Kit
RK-4109939

Air Cylinder Replacement Kit
RK-10999

Holland Simplex II SE Series Parts List



ITEM	DESCRIPTION	PART NO.
1	Jaw (LH)	XA-4109939
	Jaw (RH)	4109940
2	Lock (LH)	4109931
	Lock (RH)	4109809
3	Jaw Return Spring	1200101
4	Lock Spring	1200706
5	Lever Bar	4100373
6	Handle (LH / Air Release)	4100420
	Handle (RH)	4100448
7	Cover Plate	XA-10969
8	Roll Pin	9900181
9	Grease Fitting	84787
10	Hex Head Shoulder Bolt	XB-11127
11	Washer 5/8"	XB-T-199
12	Lock Indicator	4100294
	Lock Indicator (RH)	4300312

ITEM	DESCRIPTION	PART NO.
13	Cotter Pin 1/8" x 1-1/4"	84261
14	Indicator Pin	5400711
15	Eccentric Jaw Pin	4109921
16	Clinch Pin 3/16" x 1-1/4"	9900170
17	.33" Bracket Insert (Qty 2)	4000640
	.38" Bracket Insert (Qty 2)	4000528
	.42" Bracket Insert (Qty 2)	4000587
18	Bracket Shoe	4100328
19	Bracket Pin	5400705
20	HHCS 1/2" - 20 x 1-1/4"	XB-C-95
21	Locknut 1/2" - 20	XB-T-69-A
22	Air Cylinder	4100423
23	HHCS 3/8" - 16 x 3/4"	9900182

DISCONTINUED MODEL SERVICE PARTS ONLY
Please contact Customer Service for part availability 888.396.6501

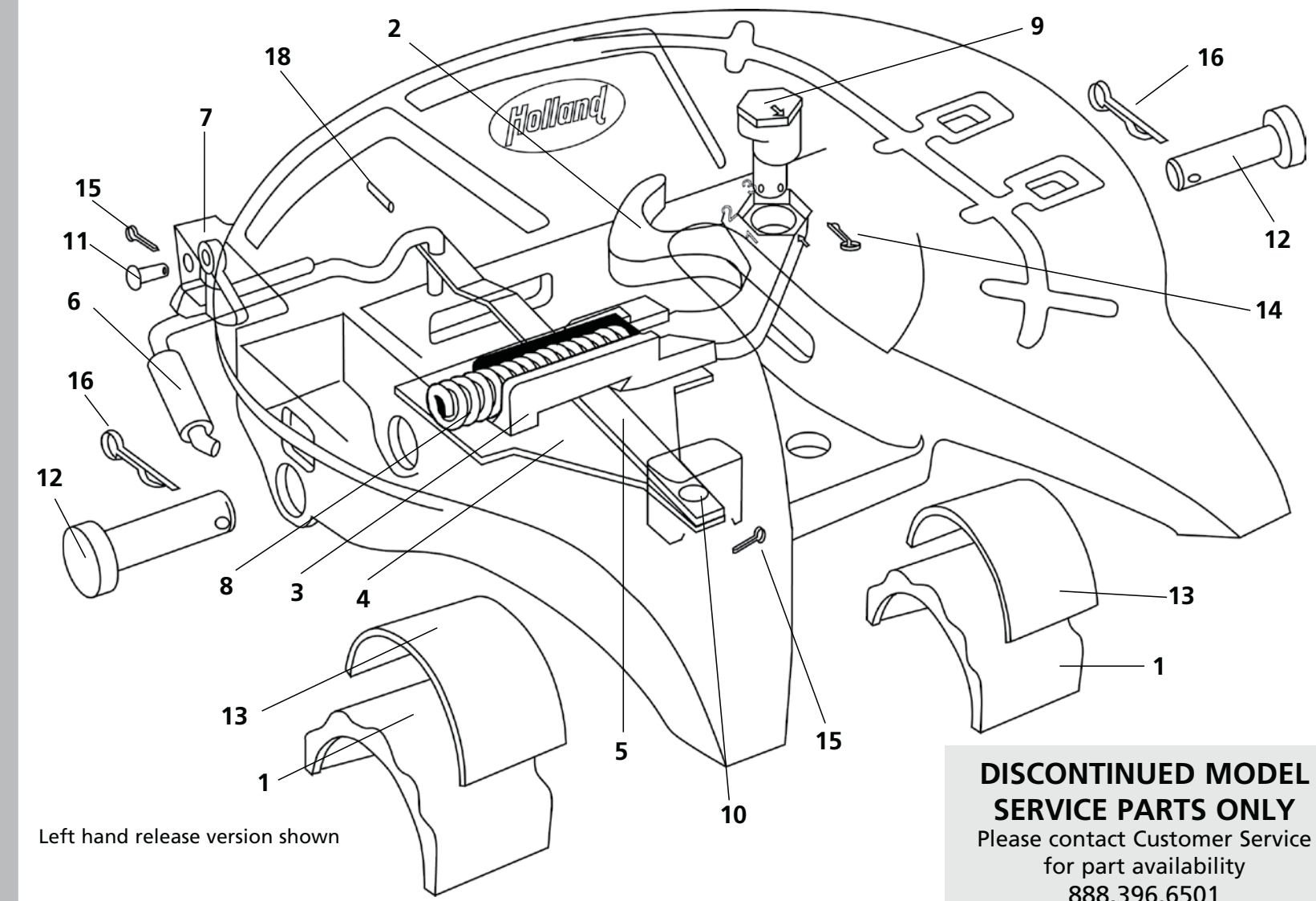
Release Handle Kit
4000531

Jaw Kit
4000644

Lock Kit
4000647

Bracket Connection Kit
4000641 (.33" Pads)
4000504 (.38" Pads)
4000588 (.42" Pads)

Simplex II Parts List (Left Hand & Right Hand Release)



DISCONTINUED MODEL SERVICE PARTS ONLY
Please contact Customer Service for part availability 888.396.6501

ITEM NO.	DESCRIPTION	PART NO.	BULK ITEM NO.
1	Bracket Shoe	4100328	B4100328
2	Jaw *(LH)	4109939	
	Jaw *(RH)	4109940	
3	Lock (LH)	4109931	B4109931
	Lock (RH)	4109808	
4	Cover Plate	4100767	
5	Lever Bar	4100712	
6	Operating Rod (LH)	4100342	B4100342
	Operating Rod (RH)	4100441	
7	Safety Indicator (LH)	4100294	
	Safety Indicator (RH)	4100428	
8	Lock Spring	1200706	B1200706
9	Eccentric Pin	4109916	

ITEM NO.	DESCRIPTION	PART NO.	BULK ITEM NO.
10	Lever Bar Pin	5400766	B5400766
11	Safety Indicator Pin	5400711	B5400711
12	Bracket Pin	5400705	B5400705
13	.38" Bracket Pad	4100329	B4100329
	.33" Bracket Pad	4100339	B4100339
	.42" Bracket Pad	4100376	B4100376
14	Clinch Pin	9900170	B9900170
15	Cotter Pin	84261	B84261
16	Clinch Pin	9900169	B9900169
17	Grease Fitting (not shown)	84787	B84787
18	Slotted Spring Pin	9900181	B9900181
19	Overize Jaw Pin (not shown)	4109977	B4109977
20	Safety Indicator (not shown)	4100374	B4100374

* NOTE: The current jaw 4109939/4109940, replaces the previous design jaw 4109930/4109920.

REBUILD KITS		
KIT PART NO.	DESCRIPTION	ITEMS INCLUDED IN KIT
4000501	Jaw Kit - Standard Eccentric Pin (LH)	2,9,14
4000503	Jaw Kit - Standard Eccentric Pin (RH)	2,9,14
4000502	Jaw Kit - Oversize Eccentric Pin (LH)	2,9,14
4000523	Jaw Kit - Oversize Eccentric Pin (RH)	2,9,14
4000641	Bracket Connection Kit (.33" pads)	1,12-13,16
4000504	Bracket Connection Kit (.42" pads)	1,12-13,16
4000588	Bracket Connection Kit (.42" pads)	1,12-13,16
4000640	Bracket Pad Kit (.33" pads)	13
4000528	Bracket Pad Kit (.38" pads)	13
4000587	Bracket Pad Kit (.42" pads)	13
4000572	Lock Kit (LH)	3-5,8,10,15
4000574	Lock Kit (RH)	3-5,8,10,15
4000509	Operating Rod Kit (LH)	6-7,11,15,18
4000512	Operating Rod Kit (RH)	6-7,11,15,18



800.876.3929

www.safholland.us

