



# Important Info – September 2020

## HOLLAND Fifth Wheels

### Market Notification for Upcoming Fifth Wheel Product Changes

#### FW17

Starting in October 2020, HOLLAND will be releasing a new ductile iron FW17 which will include some changes to the mounting system options.

The following configurations are no longer available:

- “L” and “M” ILS
- Any 36” or 48” Slider
- 10” or Taller Bracket Heights
- The “W” and “V” Angle Options
- Options “24” and “86”

Customers should consider the FW35 as an alternative product if any of these mounting system configurations are required. Orders placed prior to October 1st will be fulfilled if they contain any of the above mounting configurations.

No new orders for retired configurations will be accepted after October 1st.

#### FWS1

In conjunction with the new FW17 launch, the HOLLAND FWS1 top plate will no longer be available through the OEM’s.

- Aftermarket availability will continue until inventory is depleted in 2021.
- The new ductile iron FW17 will replace the FWS1 for OEM and aftermarket applications.
- Service and repair kits for the FWS1 will continue to be available through the aftermarket.

#### ILS Mounting System

Starting in October 2020 the “C” style inboard ILS with 3-piece tie-bar will be replaced with the “H” ILS with single piece tie-bar.

- The “B” style inboard ILS with 3-piece tie-bar and serrated base side plates will also be replaced by the “H” ILS with straight base side plates.

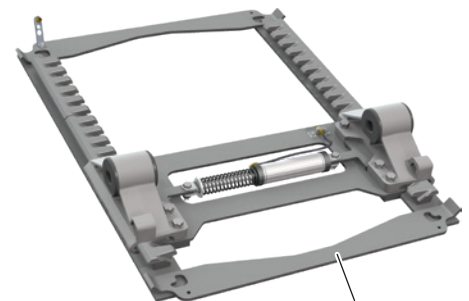
#### New Ductile Iron FW17 Top Plate Starting October 2020



#### FWS1 No Longer Available Through the OEMs Replaced by the New Ductile Iron FW17



#### “H” Style ILS with Single Piece Tie Bar Replaces “B” & “C” Style 3-Piece Tie Bar starting October 2020



Single Piece Tie Bar

## Important Info – September 2020 cont.

---

### ILS Mounting System Cont.

- There will be a limited supply of “B” Style Inboard ILS available through the aftermarket. Once inventory is depleted, these will transition to the “H” ILS.
- These changes apply to the FW17, FW35, FW33, FW31, and FWAL fifth wheels. This transition will have no impact on ILS functionality.

### FW35 SDS Severe Duty Slider

Starting October 15th, 2020 the FW35 mounted on the Severe Duty Slider will no longer be available through the OEM’s.

- Customers requiring a Severe Duty Slider should consider the FW70 or talk with their account manager for possible alternatives.
- Orders placed for FW35 SDS prior to October 15th 2020 will be fulfilled.
- No new orders will be accepted after October 15th.
- FW35 SDS KOMPENSATOR will continue to be available.

### FW35 SDS No-Tilt Sliders

Starting September 15th, 2020 FW35 SDS No-Tilt Sliders will no longer be offered and can be replaced by the ILS No-Tilt Slider.

- The ILS No-Tilt Slider is approved for severe-duty applications per the Fifth Wheel Application and Selection Guide XL-FW100665G-en-US.
- This notification applies to the FW35 series, including the FW33 Low Lube (FW33 approved for Moderate-Duty only).

Orders placed for FW35 Series SDS No-Tilt Sliders prior to September 15th, 2020 will be fulfilled. No new orders will be accepted after September 15th.

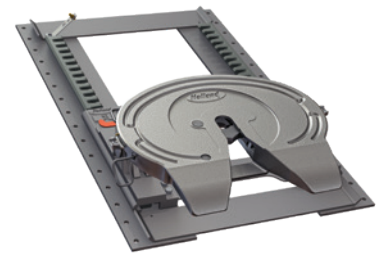
Contact your SAF-HOLLAND sales representative or call Customer Service 800.876.3929 for more information.

### FW35 SDS No Longer Available

Starting October 2020



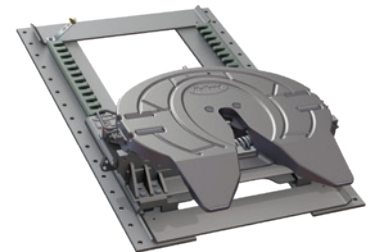
### Alternative FW70 SDS



---

### FW35 SDS Kompensator®

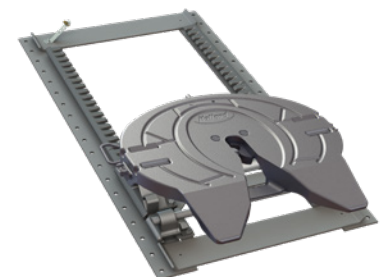
Will continue to be available



---

### FW35 (FW33) No-Tilt SDS

No longer available starting Sep. 15, 2020



### Alternative FW35 (FW33) ILS No-Tilt

FW35 approved for Severe-Duty; FW33 approved for Moderate-Duty.

