



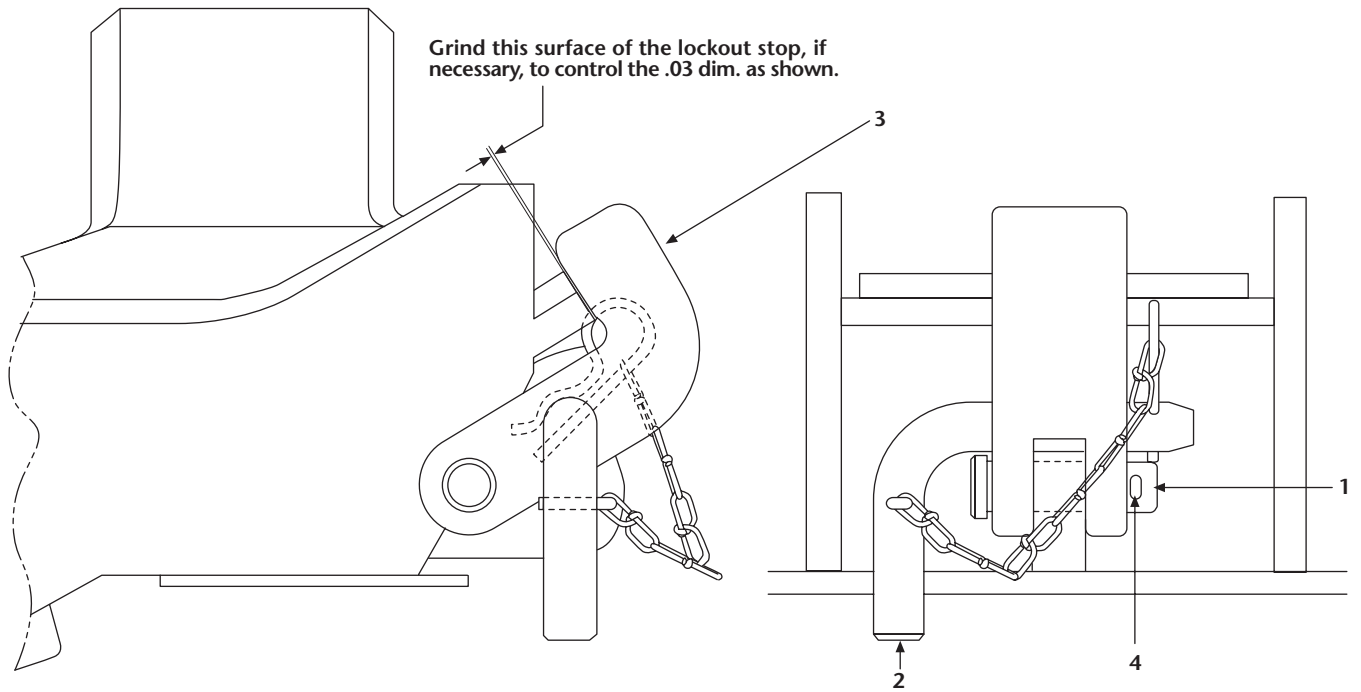
# KOMPENSATOR<sup>®</sup>

## INSTALLATION LOCKOUT INSTRUCTIONS



**RK-01370 Kompensator<sup>®</sup>**

### Lockout Kit Installation Diagram



ITEM	PART NO.	NO.	PART NAME
1	XB-847	2	Shackle Pin
2	XA-01429	2	"L" Pin Sub-Assembly
3	XA-01427	2	Lockout Stop
4	XB-382	2	Cotter Pin

**Holland USA, Inc. Facilities:**

Denmark, SC      Warrenton, MO  
Dumas, AR      Whitehouse Station, NJ  
Holland, MI      Wylie, TX  
Muskegon, MI

Ph: 888-396-6501      Fax: 800-356-3929

**Holland International, Inc.**

Holland, MI  
Phone: 616-396-6501  
Fax: 616-396-1511

**Holland Hitch of Canada, Ltd.**

Woodstock, Ontario • Canada  
Phone: 519-537-3494  
Fax: 800-565-7753

**Holland Equipment, Ltd.**

Norwich, Ontario • Canada  
Phone: 519-863-3414  
Fax: 519-863-2398

**Holland Hitch Western, Ltd.**

Surrey, British Columbia • Canada  
Phone: 604-574-7491  
Fax: 604-574-0244