



FIFTH WHEEL

IMPORTANT INFORMATION



Secondary Lock Handles for FW-2800, FW-2900, and FW-2870 Series

Elevating Fifth Wheels

The orientation of the secondary lock handle has been changed to improve the fifth wheel articulation (see **FIGURE 1**). This change occurred on all fifth wheels manufactured **AFTER** January 30, 1989.

FIGURE 1

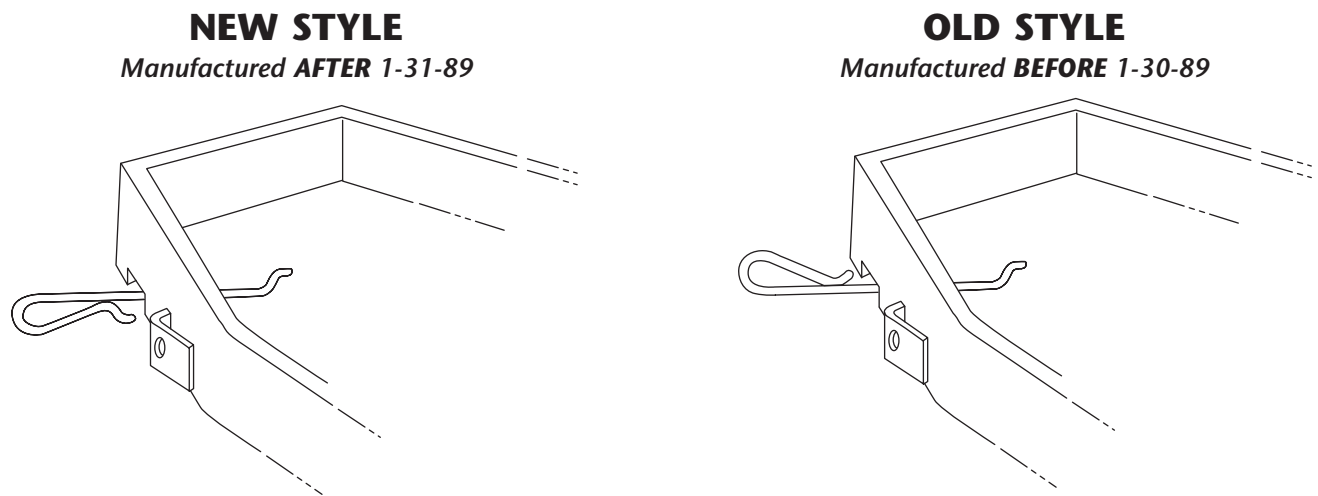
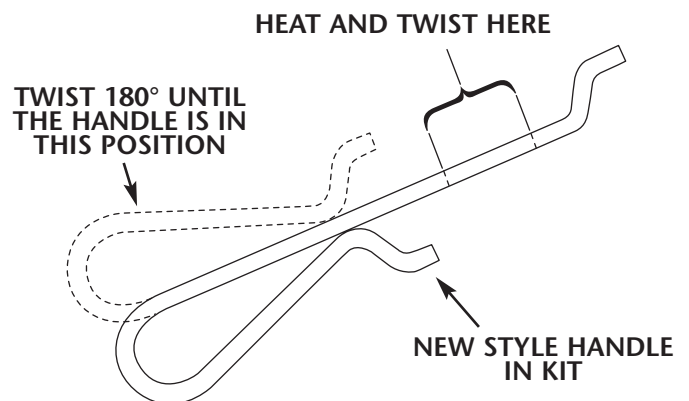


FIGURE 2

This rebuild kit contains the new handle. If you are rebuilding a fifth wheel manufactured prior to January 31, 1989, you will either have to use the old handle if it is in good condition, or heat and bend the old handle 180°, as shown in **FIGURE 2**.



Holland USA, Inc. Facilities:

Denmark, SC Warrenton, MO
Dumas, AR Whitehouse Station, NJ
Holland, MI Wylie, TX
Muskegon, MI

Ph: 888-396-6501 Fax: 800-356-3929

Holland International, Inc.

Holland, MI
Phone: 616-396-6501
Fax: 616-396-1511

Holland Hitch of Canada, Ltd.

Woodstock, Ontario • Canada
Phone: 519-537-3494
Fax: 800-565-7753

Holland Equipment, Ltd.

Norwich, Ontario • Canada
Phone: 519-863-3414
Fax: 519-863-2398

Holland Hitch Western, Ltd.

Surrey, British Columbia • Canada
Phone: 604-574-7491
Fax: 604-574-0244