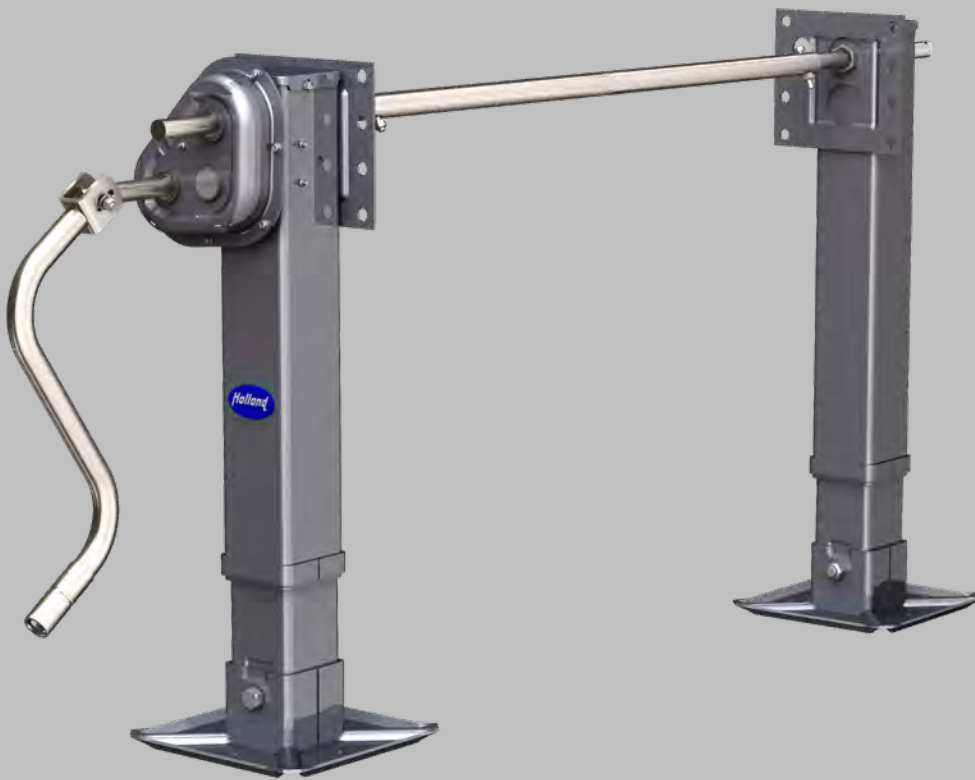


# Installation, Operation and Maintenance Manual

Atlas 55, Atlas 65 and Atlas iM



Contents	Page
Introduction .....	2
Warranty .....	2
Notes, Cautions, and Warnings .....	2
Section 1 – Safety Instructions .....	3
Section 2 – Model and Serial Number .....	4
Section 3 – Pre-Installation Instructions .....	7
Section 4 – Recommended Bracing .....	8
Section 5 - Welding Standards .....	9
Section 6 – Installation Instructions .....	10
Section 7 – Landing Gear Operation .....	11
Section 7.1 – Pre-Inspection .....	11

Contents	Page
Section 7.2 – Landing Gear Orientation .....	11
Section 7.3 – Landing Gear Operation During Coupling .....	12
Section 7.4 – Landing Gear Operation During Uncoupling ..	13
Section 8 – Routine Service and Inspection .....	15
Section 8.1 – Landing Gear Inspection (Before Use) .....	15
Section 8.2 – Lubrication .....	15
Section 8.3 – Cleaning .....	16
Section 8.4 – Hardware Inspection .....	16
Section 8.5 – Landing Gear Alignment .....	17
Section 9 – Troubleshooting .....	18

## Introduction

This manual provides information necessary for the installation, operation and maintenance of the SAF-HOLLAND® Atlas 55, 65 and iM model landing gears.

Read this manual before using or servicing this product and keep it in a safe location for future reference. Updates to this manual, which are published as necessary, are available on the internet at [www.safholland.us](http://www.safholland.us).

When replacement parts are required, SAF-HOLLAND highly recommends the use of only SAF-HOLLAND Original Parts. A list of technical support locations that supply SAF-HOLLAND Original Parts and an Aftermarket Parts Catalog are available on the internet at [www.safholland.com](http://www.safholland.com) or contact Customer Service at 888-396-6501.

## Warranty

Refer to the complete warranty for the country in which the product will be used. A copy of the written warranty is included with the product or available on the internet at [www.safholland.com](http://www.safholland.com).

## Notes, Cautions, and Warnings

Before starting any work on the unit, read and understand all the safety procedures presented in this manual. This manual contains the terms “NOTE”, “IMPORTANT”, “CAUTION”, and “WARNING” followed by important product information. These terms are defined as follows:

**NOTE:** Includes additional information to enable accurate and easy performance of procedures.

**IMPORTANT:** Includes additional information that if not followed could lead to hindered product performance.

**CAUTION** Used without the safety alert symbol, indicates a potentially hazardous situation which, if not avoided, could result in property damage.

**▲CAUTION** Indicates a potentially hazardous situation which, if not avoided, could result in minor or moderate injury.

**▲WARNING** Indicates a potentially hazardous situation which, if not avoided, could result in death or serious injury.

## 1. Safety Instructions

### General and Servicing Safety Instructions

- Read and observe all Warning and Caution hazard alert messages. The alerts provide information that can help prevent serious personal injury, damage to components, or both.

**⚠ WARNING** Failure to follow the instructions and safety precautions in this manual could result in improper servicing or operation leading to component failure which, if not avoided, could result in death or serious injury.

- All maintenance should be performed by a properly trained technician using proper/special tools, and safe procedures.

**NOTE:** In the United States, workshop safety requirements are defined by federal and/or state Occupational Safety and Health Act (OSHA). Equivalent laws may exist in other countries. This manual is written based on the assumption that OSHA or other applicable employee safety regulations are followed by the location where work is performed.

**IMPORTANT:** Verify before installation that the landing gear selected will withstand the load and have the correct travel/extension requirements for the trailer.

- DO NOT operate the landing gear if it is cracked, bent, or any other damage is present. Using damaged landing gear could result in death or serious injury.

**⚠ WARNING** Failure to check condition of landing gear prior to operating could result in unexpected performance which, if not avoided, could result in death or serious injury.

**⚠ WARNING** Using damaged landing gear could result in unexpected performance which, if not avoided, could result in death or serious injury.

- Properly support and secure the vehicle from unexpected movement when servicing the landing gear.

**NOTE:** If possible, unload the trailer before performing any service procedures.

**⚠ WARNING** Failure to secure the trailer from rolling, when operating the landing gear, could result in death, serious injury or property damage.

**⚠ WARNING** Failure to properly support and secure the trailer during installation of landing gear could create a crush hazard which, if not avoided, could result in death or serious injury.

- DO NOT walk/crawl underneath a trailer during coupling/uncoupling or while it is supported by the landing gear/kingpin stand.
- If possible, unload the trailer before performing any maintenance or service procedures.

**⚠ WARNING** Failure to keep clear from underneath the trailer could create a crush hazard which, if not avoided, could result in death or serious injury.

## 2. Model Identification

### Atlas 55

The Atlas 55 identification code is located on the top cover or on the side, behind the grease fittings of each landing gear leg (**Figure 1 and 2**). The first number is the part number, described below, and the second number is the serial number. In order to properly identify the HOLLAND® landing gear and its components when communicating with SAF-HOLLAND or a dealer, please record the part and serial numbers below and refer to them when ordering replacement parts.

#### Part Number

**LG4 0 0 1 - 7 0 0 0 00 000**

<p><b>Footwear</b>                  0 - No Footwear                  1 - Sandshoe 4.50" x 10" x 10"                  2 - Sandshoe 4.50" x 10" x 12"                  3 - Sandshoe 2" x 10" x 10"                  4 - Sandshoe 2" x 10" x 12"                  5 - Shockfoot DIA 12"                  8 - Shockfoot DIA 10"                  9 - Special                  A - R.C.F. No Footwear                  B - R.C.F. 10" x 10"                  C - R.C.F. DIA 10"                  D - R.C.F. DIA 12"                  M - Sandshoe HD 4.50" x 12" x 12"                  R - R.C.F. 12" x 12"                  S - R.C.F. 10" x 10" Heavy Duty                  Z - 10" x 10" Low Profile RCF</p> <p><b>Shafts</b>                  0 - Universal                  1 - Reverse                  2 - I-Beam 6.5"                  8 - Special                  9 - Conventional                  A - I-Beam 10"                  J - Universal EZ Shift                  K - Conventional EZ Shift                  L - Reverse EZ Shift                  M - I-Beam EZ Shift</p> <p><b>Mounting</b>                  0 - Univ.Mt.-.66" Ø Holes                  1 - Conv. Mt. - .66" Ø Holes                  4 - I-Beam Mt. - .66" Ø Holes                  8 - Reverse Mt. - .66" Ø Holes                  9 - Special                  A - Univ. Mt.- .53" Ø Holes                  B - Conv. Mt. - .53" Ø Holes                  H - I-Beam Mt. - .53" Ø Holes                  L - Reverse Mt.- .53" Ø Holes</p> <p><b>Model</b>                  LG4 - Atlas 55</p>	<p><b>Log No. Accessory No.</b>                  Contact SAF-HOLLAND                  Customer Service for Special                  Options and Accessories</p> <p><b>Grease</b>                  0 - Standard Pack                  9 - Special                  Q - No Lube                  (Permanently Lubricated)                  S - No Lube™                  (Lifetime Warranty)                  F - 45° Fittings                  G - 4 Straight Fittings Per Leg</p> <p><b>Retract Tube</b>                  0 - Standard                  5 - R.C.F. MRL                  6 - Shock Can                  9 - Special                  B - Min. Retracted                  Shockfoot and                  Low Profile RCF</p> <p><b>Leg Assembly</b>                  0 - Sets                  1 - Left Hand                  2 - Right Hand</p> <p><b>Travel</b>                  1 - Special                  3 - 13.50"                  5 - 15.50"                  7 - 17"                  9 - 19"</p>
---	--

Figure 1

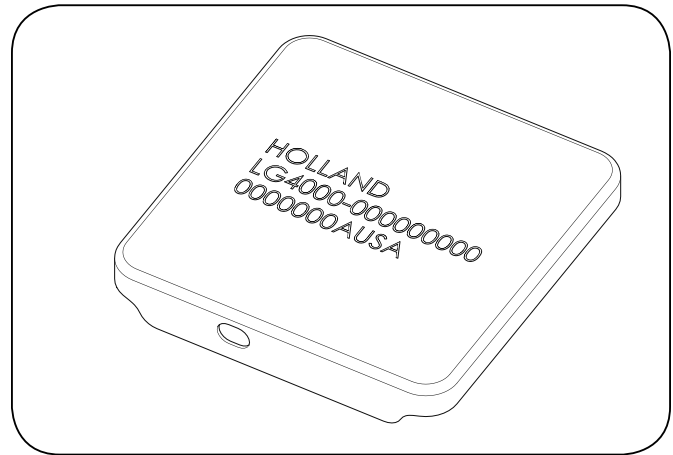
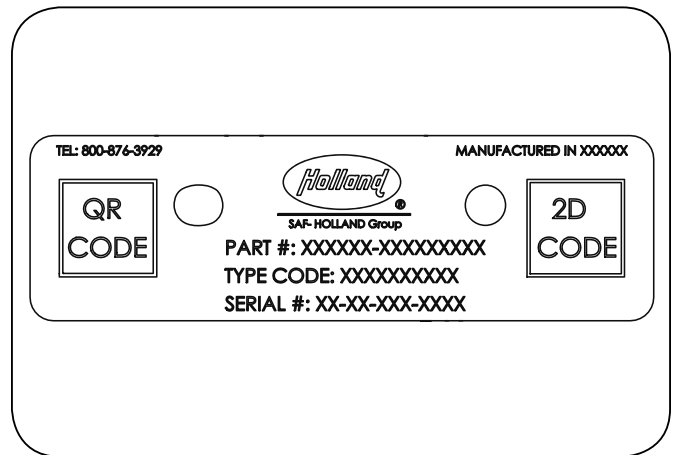


Figure 2



Part No: \_\_\_\_\_

Serial No: \_\_\_\_\_

Purchase Date: \_\_\_\_\_

### Atlas 65

The Atlas 65 identification code is located on the top cover or on the side, behind the grease fittings, of each landing gear leg (**Figure 3 and 4**). The first number is the part number, the second number is the type code, and the third number is the serial number. In order to properly identify the HOLLAND landing gear and its components when communicating with SAF-HOLLAND or a dealer, please record the part number, type code, and serial number and refer to them when ordering replacement parts.

#### Type Code

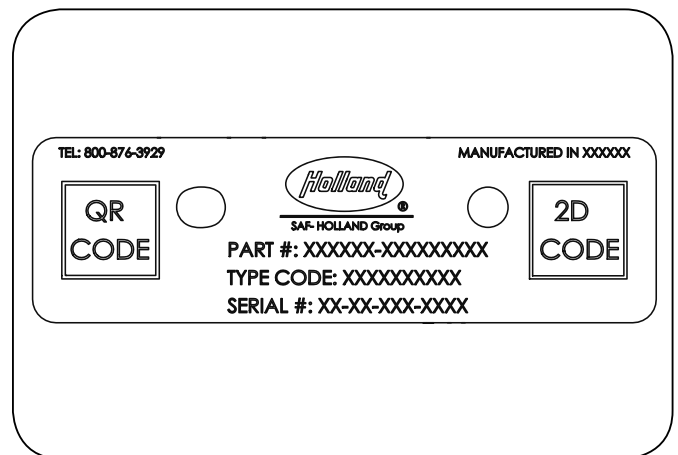
**LG6 0 0 0 00 0 0**

- Lube/Warranty**
  - 0 - Std. Lube Std. Warranty
  - 1 - No Lube Std. Warranty
  - 2 - No Lube Lifetime Warranty
- Shafts**
  - 0 - Standard Universal
  - 1 - Standard Inside
  - 2 - Outside I-Beam 6.5"
  - 3 - Outside I-Beam 10"
  - 4 - Standard Outside
- Foot Ware**
  - 99 - No Foot
  - 98 - Leg with Axle - No Foot
  - 97 - Sand Shoe 4.5" x 10" x 10"
  - 96 - Sand Shoe 4.5" x 10" x 12"
  - 95 - Sand Shoe 2" x 10" x 10"
  - 94 - Sand Shoe 2" x 10" x 12"
  - 93 - Sand Shoe HD 4.5" x 12" x 12"
  - 92 - Standard RCF 10" x 10"
  - 91 - Low Profile RCF
  - 90 - For RCF - No Foot
  - 89 - Low Profile RCF - No Foot
  - 88 - Sand Shoe 4.5" x 16" x 16"
  - 87 - Sand Shoe LP 2" x 12" x 12"
  - 86 - Sand Shoe STD 4.5" x 12" x 12"
  - 85 - Sand Shoe HD 4.5" x 12" x 17"
  - 84 - Sand Shoe HD 4.5" x 12" x 10"
  - 83 - Sand Shoe HD - LP 2" x 10" x 10"
  - 82 - Sand Shoe HD 4.5" x 10" x 10"
  - 81 - Standard RCF 12" x 12"
  - 80 - Sand Shoe 4.5" x 18" x 16"
  - 79 - Sand Shoe LP 2" x 16" x 16"
- Mounting Plate**
  - 0 - Standard Taper .656" Ø
  - 1 - Standard Taper .531" Ø
- Travel**
  - 3 - 13.5"
  - 5 - 15.5"
  - 6 - 17" - MRL
  - 7 - 17"
  - 9 - 19"
- Leg Assembly**
  - 0 - Sets
  - 1 - Leg Without Gear Box
  - 2 - Leg With Gear Box
- Model**
  - LG6 - Atlas 65

Figure 3



Figure 4



Part No: \_\_\_\_\_

Type Code: \_\_\_\_\_

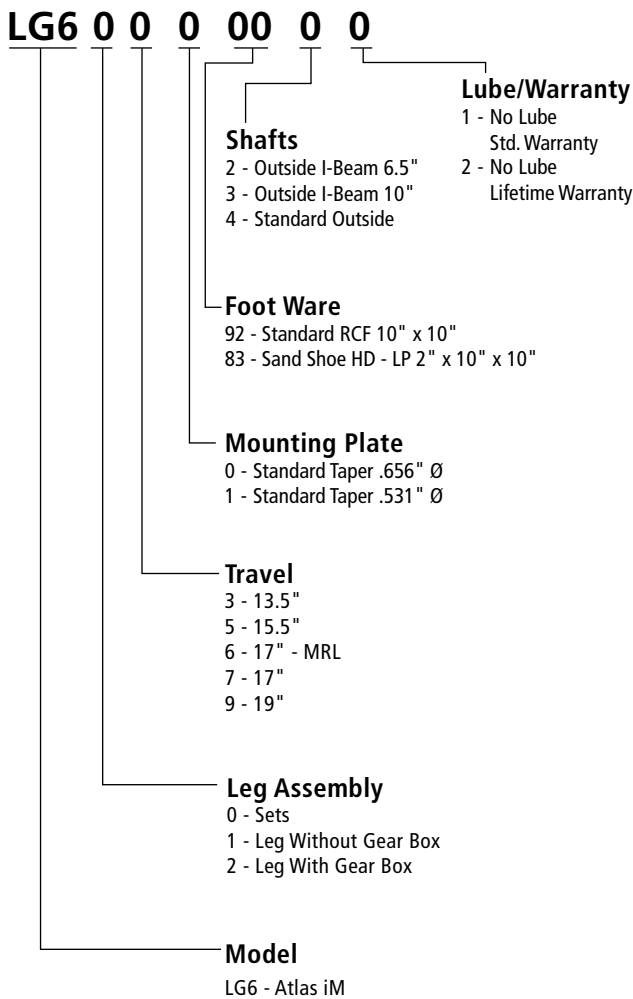
Serial No: \_\_\_\_\_

Purchase Date: \_\_\_\_\_

**Atlas iM**

The Atlas iM identification code is located on the top cover or on the side, behind the grease fittings, of each landing gear leg (**Figure 5 and 6**). The first number is the part number, the second number is the type code, and the third number is the serial number. In order to properly identify the HOLLAND landing gear and its components when communicating with SAF-HOLLAND or a dealer, please record the part number, type code, and serial number and refer to them when ordering replacement parts.

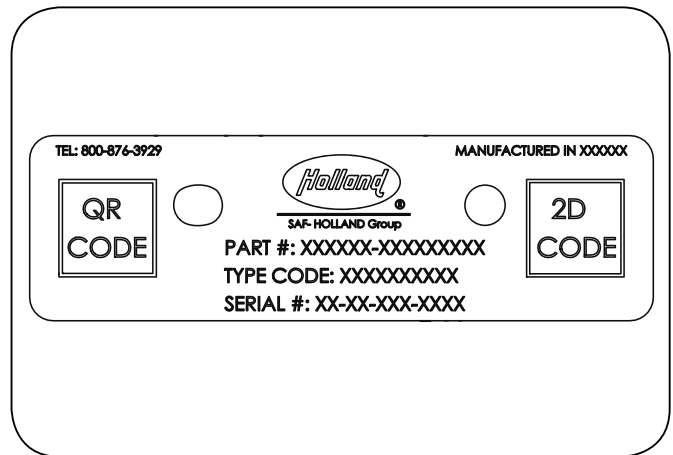
**Type Code**



**Figure 5**



**Figure 6**



**Part No:** \_\_\_\_\_

**Type Code:** \_\_\_\_\_

**Serial No:** \_\_\_\_\_

**Purchase Date:** \_\_\_\_\_

### 3. Pre-Installation Instructions

Prior to installation of the landing gear, correctly size the legs to the trailer. There **MUST** be 12" (304.8 mm) minimum ground clearance, when the landing gear is fully retracted.

Ensure that the legs have sufficient travel to raise the trailer from the fifth wheel 1-3" (25.4 - 76.2 mm) without over-extension. **DO NOT** force the landing gear past its stops.

**CAUTION** Failure to operate the landing gear within the maximum extension or retraction including repeated winding to its physical stops could, if not avoided, cause damage to the landing gear.

**IMPORTANT** Provide adequate clearance between the jack shaft bushings, jack shaft, shift shaft and the trailer frame. If the bushings or shafts are tight against the frame, damage and hard cranking will result (**Figure 7**).

**CAUTION** Failure to provide adequate clearance between the jack shaft bushings, jack shaft, shift shaft, and the trailer frame could cause hard cranking and wear which, if not avoided, could result in minor/moderate injury or component damage.

Before installation of the landing gear, ensure that both legs are in the fully retracted position. Both landing gear legs **MUST** be extended equally at all times.

**WARNING** Failure to extend the legs evenly could cause trailer to tip over, which, if not avoided, could result in death, serious injury, or property damage.

**WARNING** Failure to extend the legs evenly could increase the potential for landing gear spring back, which, if not avoided, could result in death or serious injury.

Ensure the cross-shaft is of adequate length for the application. When installed, the cross-shaft should have 1/8" (3 mm) to 3/8" (9.5 mm) of side to side free play. It should also rotate freely with the jack shaft when installed (**Figure 8**). A cross shaft which is too long will cause binding resulting in stiff operation and excessive bushing wear.

**CAUTION** Failure to ensure the cross-shaft is installed at adequate length and has free play could result in stiff operation which, if not avoided, could result in property damage.

Figure 7

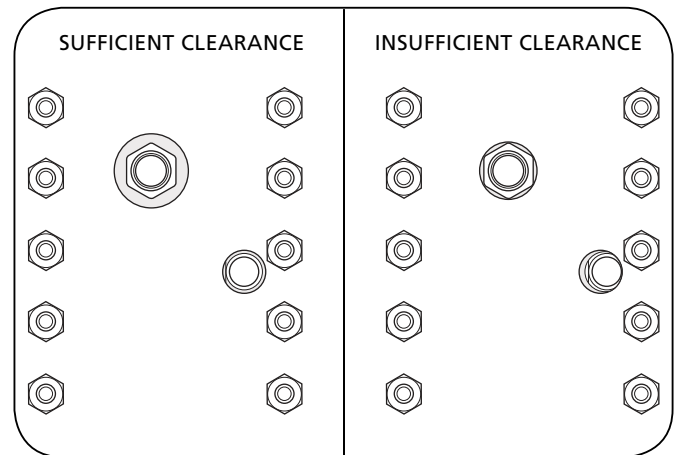
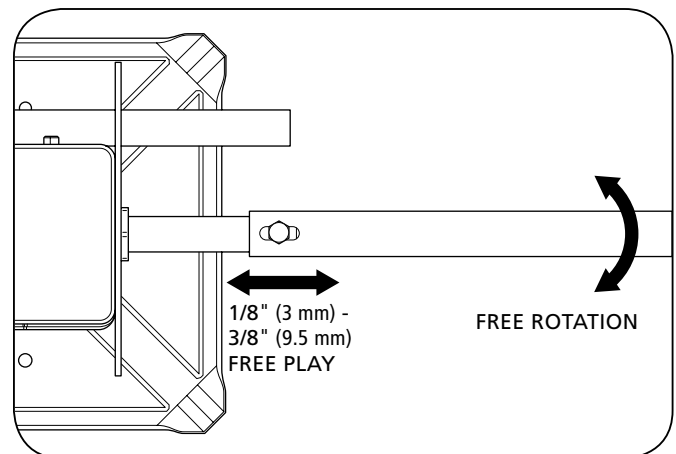


Figure 8



### 4. Recommended Bracing

Installers are responsible to ensure that the mounting structure and mounting method are adequate for the intended imposed loads, use and application in accordance with trailer design specifications.

Published ratings are based on physical tests wherein the mounting plate of the tested landing gear legs was attached to a rigid fixture using eight (8) Grade 8, 5/8" (16 mm) diameter bolts and nuts with hardened washers. The lower end of the upper housing tubes were rigidly braced in a lateral and longitudinal direction. All fasteners were torqued according to the manufacturer's recommendations.

The following are the minimum bracing requirements to meet AAR-931 Side Load Requirements:

- Hardware: 5/8" (16 mm) Grade 8 bolts for all brace attachment.
- Strut Bracket: "W" Bracket (LG0266), 3/8" (9.5 mm) thick x 2" (51 mm) wide (minimum) or equivalent.

**NOTE:** DO NOT install strut brackets in the center of the housing without proper backing and DO NOT attach the brackets to the housing band (**Figure 11**).

**NOTE:** DO NOT allow weld for strut brackets to penetrate through the housing and make contact with the retract tube.

**WARNING** Failure to follow the installation instructions and bracing recommendations in this manual could create a crush hazard which, if not avoided, could result in death, serious injury or property damage.

**CAUTION** Failure to install, the landing gear per the preceding instructions and recommendations could cause faulty operation which, if not avoided, could cause property damage and void the warranty.

- Strut Brace: 1-1/2" (38 mm) Schedule 80 pipe or 1.900 outside diameter x 8 GA. Wall x 50,000 p.s.i. yield or equivalent. Flatten the pipe on both ends to accommodate fasteners and attachment to the brackets/trailer.

**NOTE:** DO NOT completely flatten the end of the pipe. ONLY flatten the area around the bolt hole. A completely flat end can buckle.

**WARNING** Use of strut braces that DO NOT meet these requirements may result in brace failure which, if not avoided, could result in death, serious injury or property damage.

The minimum bracing configuration to be used: A-type bracing laterally, with an additional straight cross member. Longitudinal bracing should consist of two braces mounted rearward of the landing gear, one for each leg as illustrated (**Figures 9 and 10**).

Figure 9

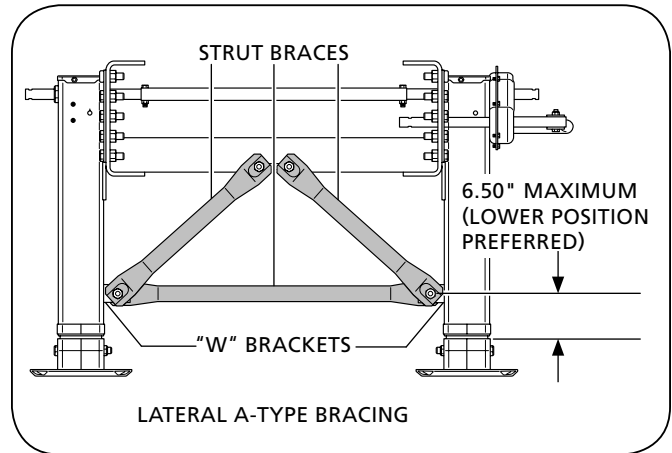


Figure 10

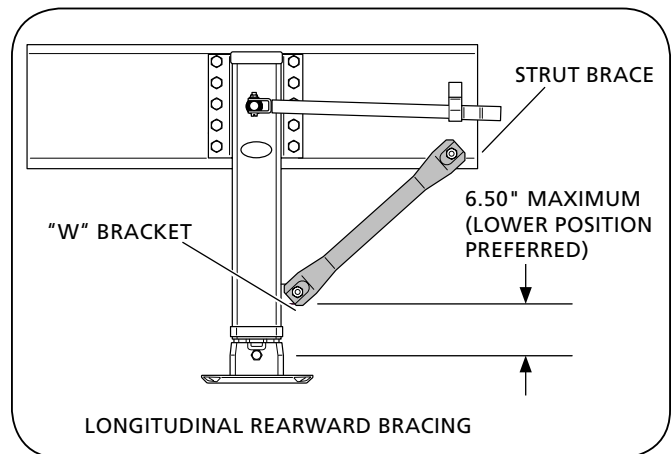
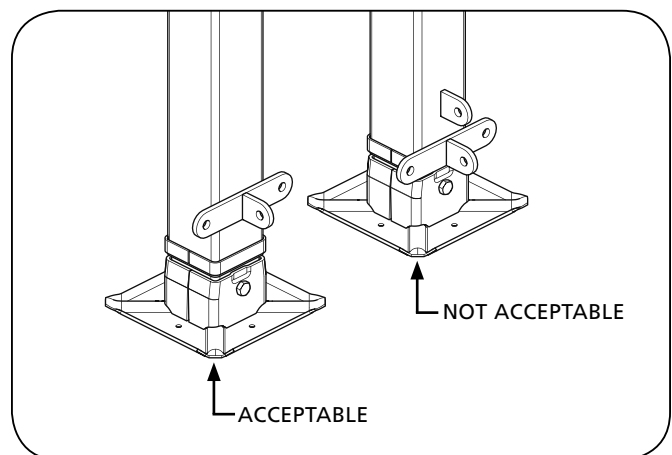


Figure 11





## 5. Welding Standards

### 5.1 Welding Standards

This specification applies to all components supplied by SAF-HOLLAND, and its products. The customer assumes full responsibility for weld integrity if weld material and procedures differ from those listed below.

### 5.2 Workmanship

All welding on SAF-HOLLAND products MUST be performed by a welder qualified according to the appropriate AWS standard for the weld being made or an equivalent standard. It is the responsibility of the customer to provide good workmanship when welding on SAF-HOLLAND products.

### 5.3 Material

Items to be welded that are made from low carbon or high-strength alloy steel are to be welded with AWS filler metal specification AWS A5.18, filler metal classification ER-70S-3, ER-70S-6 or equivalent unless specified on the installation drawing.

**NOTE:** Any substitution for filler material from the above standard MUST comply, as a minimum, with the following mechanical properties:

Tensile Strength - 72k psi (496 MPa)

Yield Strength - 60k psi (414 MPa)

Charpy V Notch - 20ft.-lbs. (27 N•m) at 0°F (-17.7°C)%

Elongation - 22%

The recommended welding gas for gas metal arc welding (GMAW) is 90% Argon / 10% CO<sub>2</sub>. If a different gas is used, welds MUST comply with penetration requirements illustrated (**Figure 12**). Where the installation drawing specifies different than above, the drawing shall prevail.

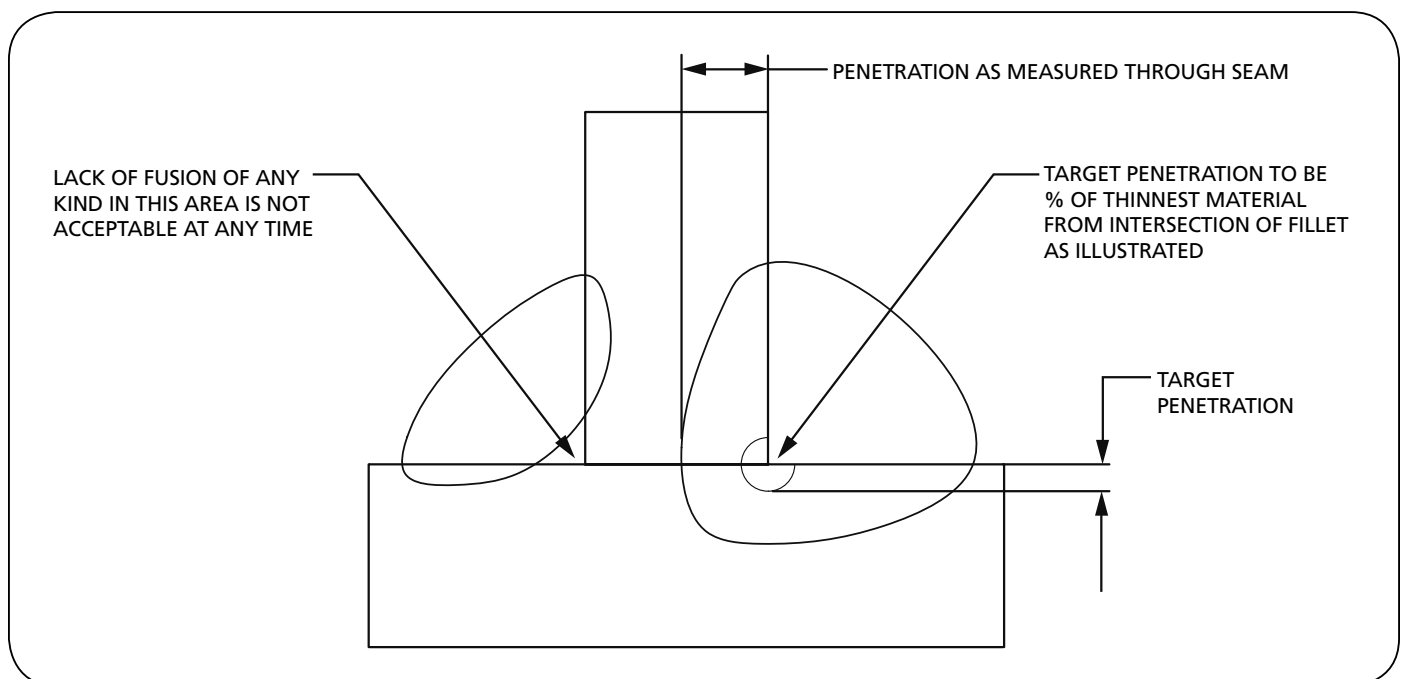
### 5.4 Procedures

Tack welds used for positioning components are to be located in the center of the final weld, where practical. Tack weld should be completely fused to the finish weld. DO NOT break arc at the end of the weld. Back up all finish welds at least 1/2" (12.7 mm) or a sufficient amount to prevent craters at the end of the weld. Where weld is shown to go around corners, it is assumed the corner represents a stress concentration area. DO NOT start or stop weld within 1" (25.4 mm) of the corner. Particular care should be taken to prevent undercutting in this area.

### 5.5 Weld Size

If weld size is NOT specified, the effective throat of the weld MUST be no smaller than the thinnest material being welded (**Figure 12**).

Figure 12



## 6. Installation Instructions

1. On a level surface, support the front of the trailer with either a kingpin stand, or while coupled to a tractor (**Figure 13**).
2. Set the parking brakes and chock the tires.

**WARNING** Failure to properly support the trailer and chock the tires during installation of landing gear could create a crush hazard which, if not avoided, could result in death or serious injury.

3. Using a square, check that the trailer landing gear mounting surfaces are perpendicular to the ground and parallel to each other.
4. Install the landing gear legs and cross-shaft to the trailer frame. Torque mounting bolts to manufacturer's specifications. Ensure the cross shaft lock nuts are snug, but cross-shaft is allowed side to side free-play.
5. Install the bracing. Refer to Section 4, (Recommended Bracing), for the minimum bracing requirements. Torque fasteners to manufacturer's specifications.

**IMPORTANT:** After installing the bracing, use a square to ensure that the legs have remained aligned with the trailer and each other as illustrated (**Figure 14**).

6. Install the crank handle onto the shift shaft. Position the washers on the outside of the crank handle. Insert the bolt through both the washers and the shaft, and secure with nut (**Figure 15**).
7. Ensure proper operation by extending and retracting the landing gear. Verify the crank handle is allowed to engage and disengage freely.
8. Extend the landing gear to ensure that both legs reach the ground simultaneously.

**WARNING** Failure to maintain two hand control of handle and release **SLOWLY** could cause spring back which, if not avoided, could result in death or serious injury.

9. Install the crank hanger, and ensure that the handle can be adequately secured.
  - Locate Hanger on right-hand side of leg centerline for outside mount.
  - Locate Hanger on left-hand side of leg centerline for inside mount.

**CAUTION** Failure to secure the crank handle when NOT in use could, allow unplanned landing gear extension which, if not avoided, could result in property damage.

Figure 13

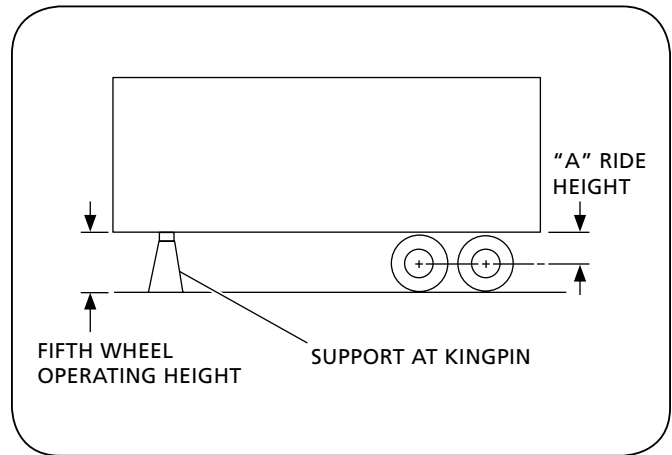


Figure 14

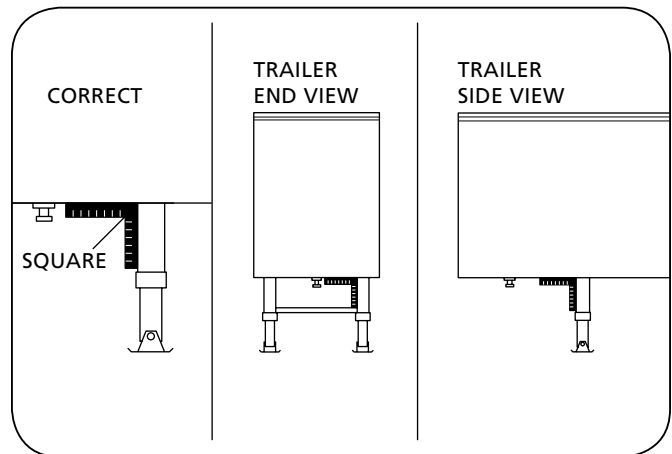
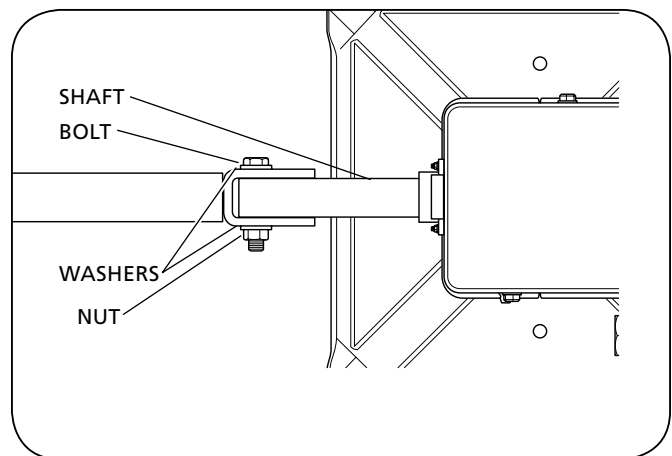


Figure 15



- Verify that all braces, crank handle and foot ware are properly attached and that all bolts are tightened to fastener manufacturer torque specifications.

## 7. Landing Gear Operation

### 7.1 Pre-Operation Inspection

The landing gear should be visually inspected prior to use. Make sure the legs are square to the trailer on both sides. Visually check for damaged, loose or broken components. Repair or replace the damaged landing gear.

**⚠ WARNING** Failure to check the condition of the landing gear prior to operating could result in use of damaged product which, if not avoided, could result in death or serious injury.

### 7.2 Landing Gear Orientation

Determine if the landing gear is an outside (conventional) or an inside (reverse) mount before operation. The mount determines how the landing gear operates.

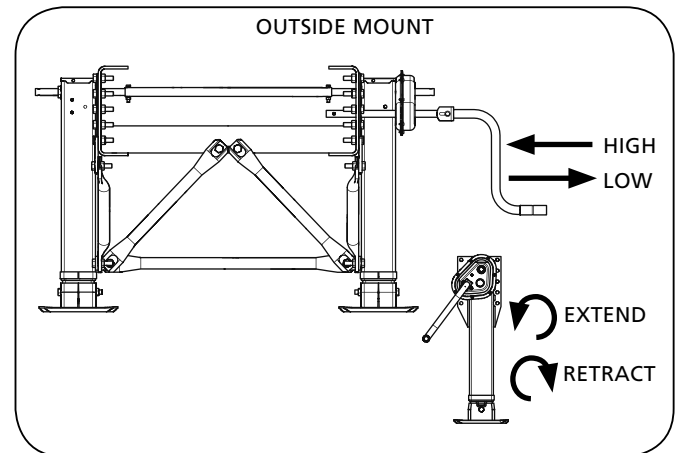
Landing gear with an outside mount (**Figure 16**):

- Push the crank handle in for high speed.
- Pull the crank handle out for low speed.
- Turn the crank clockwise to retract the leg.
- Turn the crank counter-clockwise to extend the leg.
- Crank storage hanger should be located on right-hand side of leg centerline.
- Always stow handle in hanger while in low gear (pull out).

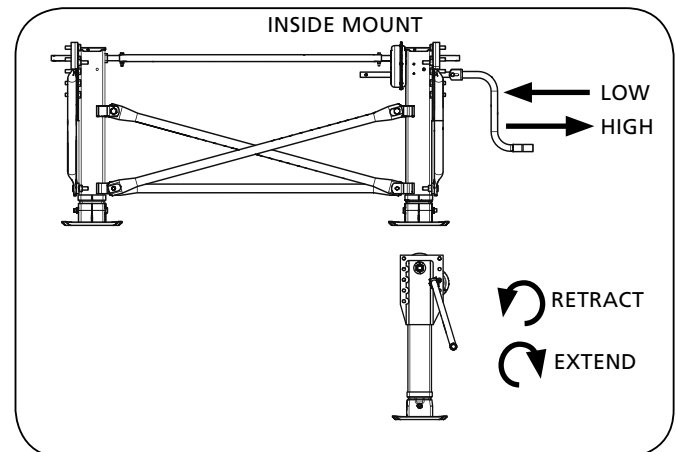
Landing gear with an inside mount (**Figure 17**):

- Push the crank handle in for low speed.
- Pull the crank handle out for high speed.
- Turn the crank clockwise to extend the leg.
- Turn the crank counter-clockwise to retract the leg.
- Crank storage hanger should be located on left-hand side of leg centerline.
- Always stow handle in hanger while in low gear (push in).

**Figure 16**



**Figure 17**



### 7.3 Landing Gear Operation During Coupling

**CAUTION** Failure to perform procedures in a lighted area that is clear of obstacles and personnel could lead to a hazardous situation which, if not avoided, could result in minor or moderate injury.

**NOTE:** For specific coupling instructions relating to the fifth wheel, tractor, and trailer, refer to the respective manufacturer's instructions.

1. Make sure the coupling area is flat, level and clear of persons and obstacles.
2. Prepare the fifth wheel, tractor and trailer for coupling per the manufacturer's instructions.
3. Back up to the trailer per the fifth wheel, tractor, and trailer manufacturer's instructions, centering the kingpin with the throat of the fifth wheel as illustrated (**Figure 18**).

**IMPORTANT:** DO NOT attempt to couple until steps 4-6 are completed.

**IMPORTANT:** DO NOT couple the tractor and trailer at an angle.

**CAUTION** Failure to align the tractor and the trailer properly could result in damage to the landing gear.

4. Engage the tractor parking brake, and chock the trailer wheels. Connect the brake lines and the electrical connections. Support the slack in the line to prevent interference.
5. Make sure that the landing gear is in low gear and engage the crank handle (**Figure 19**).

**CAUTION** Failure to lift and lower the trailer in LOW GEAR could result in damage to the landing gear.

6. With two hands on the crank handle, adjust the trailer height according to the fifth wheel, tractor, and trailer manufacturer's recommendations.

**WARNING** Failure to maintain two hand control of the handle and release SLOWLY could cause spring back, which, if not avoided, could result in death or serious injury.

7. Release the tractor parking brake. Couple and verify that the fifth wheel jaws are locked per the fifth wheel manufacturer's recommendations.
8. Engage the tractor parking brake. While still in low gear, retract the landing gear until the pads just come off the ground (**Figure 20**).

Figure 18

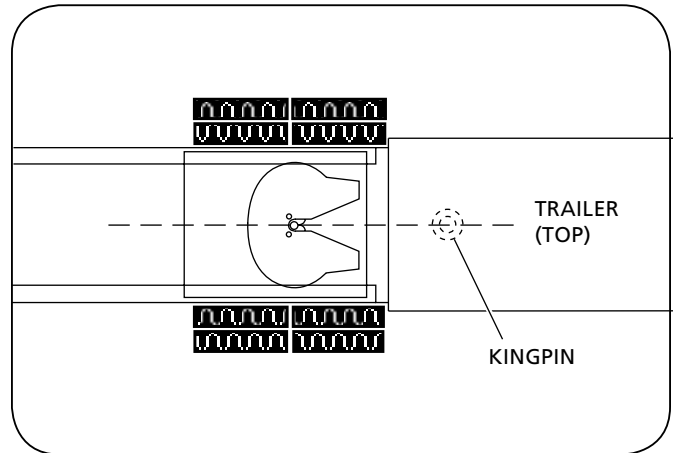


Figure 19

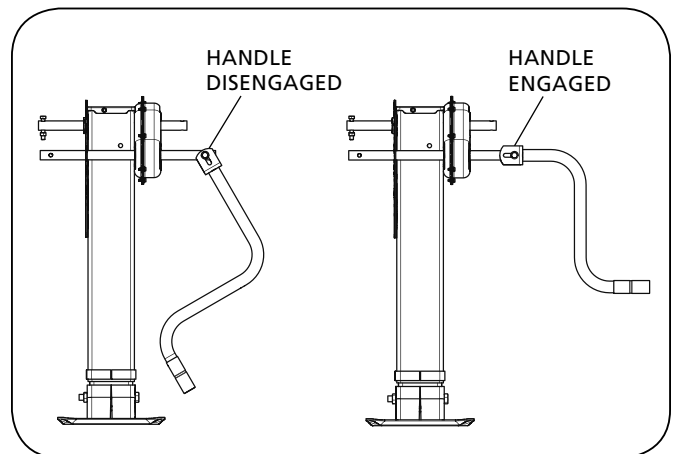
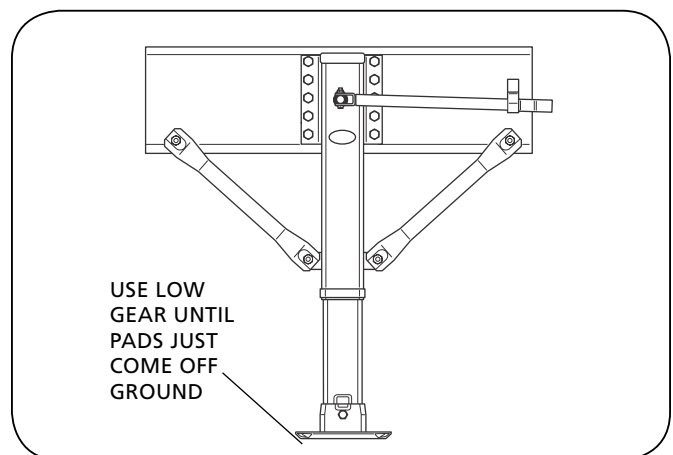


Figure 20



9. Release the tractor parking brake. Re-verify that the fifth wheel jaws are locked per the fifth wheel manufacturer's recommendations. Reapply the tractor parking brake.
10. Shift the landing gear into high gear and fully retract. Shift the landing gear into low gear and secure the crank handle. For outside mount use **Figure 21**, for inside mount use **Figure 22**.

**CAUTION** Failure to retract the landing gear fully before moving the trailer could result in property damage.

**CAUTION** Failure to secure the crank handle when NOT in use could allow unplanned landing gear extension which, if not avoided, could result in property damage.

11. Complete all pre-trip inspection and operation procedures.

### 7.4 Landing Gear Operation During Uncoupling

**NOTE:** For specific uncoupling instructions relating to the fifth wheel, tractor, and trailer, refer to the respective manufacturer's instructions.

1. Position the tractor and the trailer on a well lit, level surface, clear of persons and obstacles. Verify that the surface beneath the landing gear is capable of supporting the trailer weight. Also ensure that the tractor and trailer are in line with each other.

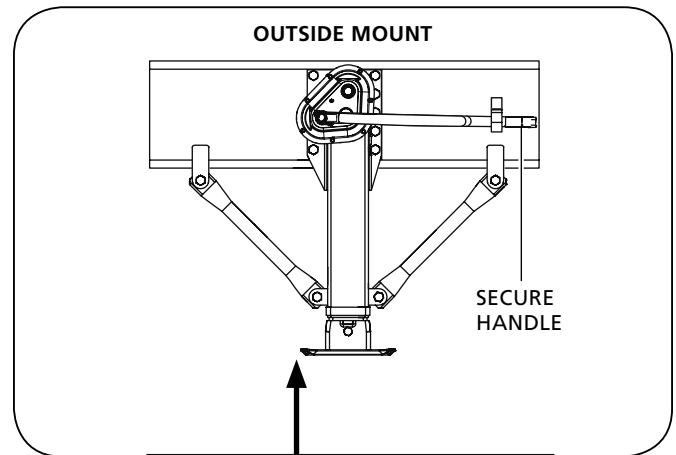
**NOTE:** If necessary, place landing gear pads on a support plank to prevent the landing gear from sinking into the supportive surface. (This is especially important with liquid cargo, where a shift in the contents could overturn the trailer).

**CAUTION** Failure to align the tractor and trailer properly could result in damage to the landing gear.

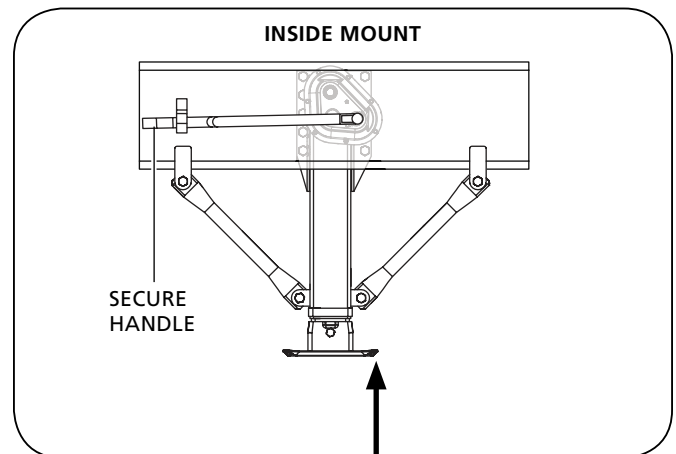
**WARNING** Failure to rest the landing gear pads on a hard, flat surface, could result in trailer tip-over which, if not avoided, could result in death or serious injury.

2. Engage the trailer brakes. Slowly back tractor tightly against the trailer. Set the tractor brakes, and chock the trailer wheels.
3. Engage the landing gear crank handle and shift to high gear (**Figure 23**).

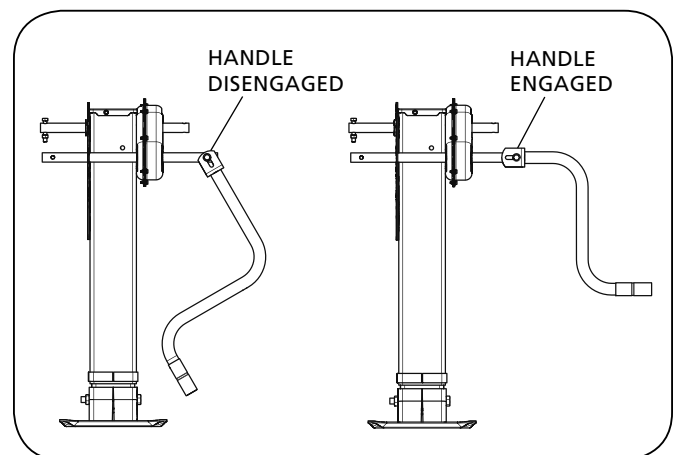
**Figure 21**



**Figure 22**



**Figure 23**



4. Extend the landing gear until the pads just touch the ground (**Figure 24**).

**CAUTION** Failure to operate the landing gear within the maximum extension or retraction including repeated winding to its physical stops could, if not avoided, cause damage to the landing gear.

**WARNING** Failure to maintain two hand control of the handle and release SLOWLY could cause spring back which, if not avoided, could result in death or serious injury.

5. Shift the landing gear into low gear and secure the crank handle in the crank hanger (**Figure 25**).

**CAUTION** Failure to secure the crank handle in low gear when NOT in use could, allow unplanned landing gear operation which, if not avoided, could result in property damage.

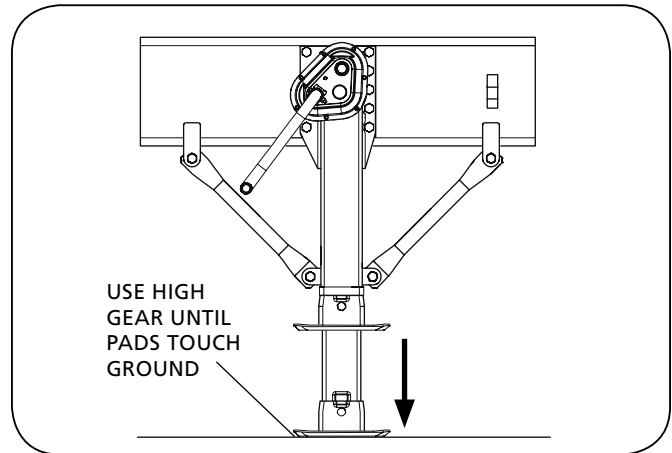
6. Per the manufacturer's instructions, release the fifth wheel, disconnect the air lines and the electrical cord. Release the tractor brakes. Slowly drive away from the trailer until the fifth wheel disengages from the kingpin but remains under the trailer.

7. Engage the tractor parking brake. Get out and inspect the landing gear and the support surface for proper trailer support.

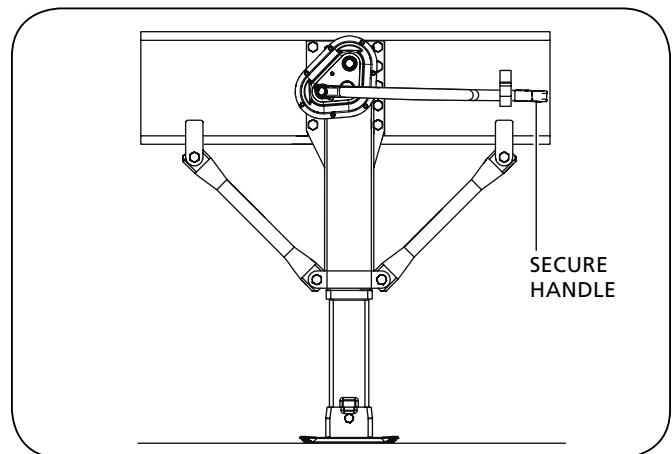
**WARNING** Failure to properly support the trailer could result in trailer instability which, if not avoided, could result in death, serious injury or property damage.

8. Complete the uncoupling procedures per the fifth wheel, tractor, and trailer manufacturer's recommendations.

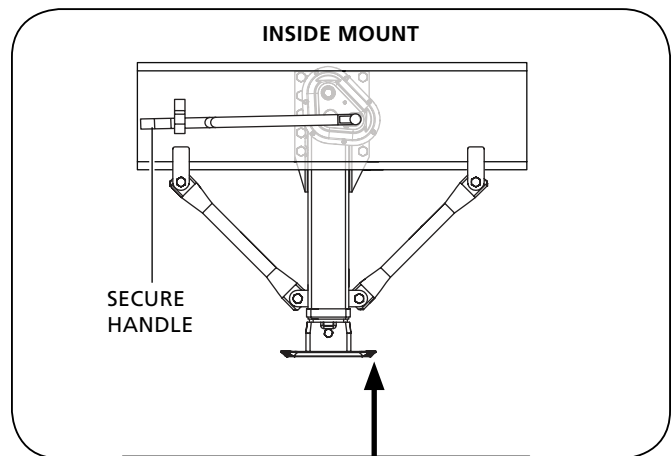
**Figure 24**



**Figure 25**



**Figure 26**



## 8. Routine Service and Inspection

**Table 1**

Procedure	Interval	Notes
Landing Gear Inspection	Every use	Replacement/repair required if components visibly damaged, loose, or broken.
Lubrication*	Every six (6) months *Unless No Lube option selected.	More frequently in excessively moist and dusty conditions, as well as if not used for extended periods of time.
Cleaning	With the vehicle	
Hardware Inspection	Every 6 months	
Landing Gear Alignment	Every 6 months	Inspection required if landing gear are visibly bent or damaged.

\*DO NOT use lubrication containing Teflon.

### 8.1 Landing Gear Inspection (Before Use)

Before use, inspect the landing gear for cracks, bent components, or damaged/missing hardware, and any noticeable defects. The landing gear must be repaired prior to operation to avoid damage and possible injury.

#### **WARNING**

Failure to check the condition of landing gear prior to operating could result in use of damaged product which, if not avoided, could result in death or serious injury.

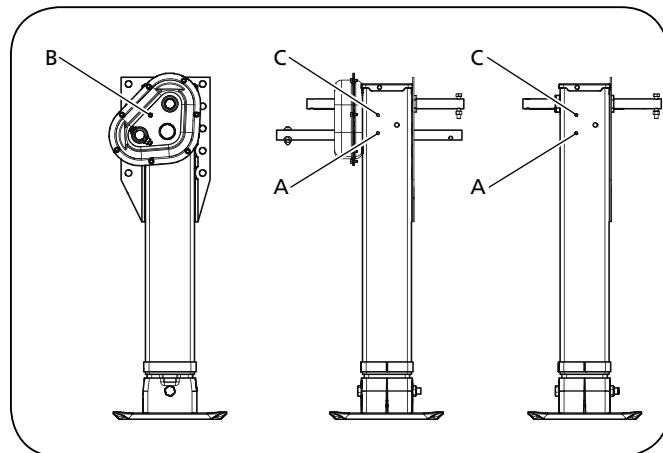
### 8.2 Lubrication

The landing gear requires lubrication whether it is used frequently or sits idle for extended periods of time. If left idle and un-greased, hard cranking could result. Use SAF-HOLLAND True Lube (per XL-LG20039SL-en-US) grease for optimum performance. Follow these steps to maintain expected performance (**Figure 27**):

#### **CAUTION**

Failure to properly lubricate the landing gear when required could result in damage to the landing gear.

1. Place the trailer on level ground, chock the tires, and support the trailer independently of the landing gear.
2. Fully retract the landing gear, then using high gear, extend the leg 2-3 turns and lubricate the lift-screw assembly through grease fitting "A". Apply 1/2 lb. of grease.
3. Lubricate the gearbox, using grease fitting "B". Apply 1/4 lb. of grease.
4. Lubricate the bevel gear, using grease fitting "C". Apply 1/4 lb. of grease.
5. Distribute the lubrication by fully extending and retracting the leg several times.

**Figure 27**


### 8.3 Cleaning

No special cleaning of the landing gear is required; however, the landing gear should be cleaned with the rest of the vehicle.

**NOTE:** DO NOT directly aim water at the landing gear shafts and bushings or up into the retract assembly. Water infiltration into the gearbox and housing could cause corrosion.

**CAUTION** Failure to prevent water infiltration into the shafts, bushings and retract assembly, could result in damage to the landing gear.

### 8.4 Hardware Inspection

Perform the following procedures to ensure the landing gear is in proper working order:

1. Tighten or replace the mounting bolts as necessary.
2. Inspect the mounting bracket for cracks or other signs of damage.
3. Repair or replace any broken or damaged part of the landing gear assembly or mounting structure.

**WARNING** Failure to repair or replace damaged landing gear components can result in unsafe product conditions which, if not avoided, could result in death or serious injury.

4. Inspect the crank handle bolt and the lock nut. Tighten or replace as necessary.
5. Inspect the crank handle. If the handle connecting tabs, tube or grip are bent or damaged, replace the handle.
6. Cross shaft connection bolts and lock nuts should be secure, but allow side-to-side play in the cross shaft.
7. Inspect the footwear for damage and replace if the components are bent or cracked. If removable footwear is present, ensure all mounting bolts and fasteners are tightened and footwear is secure.
8. Check for proper shift shaft engagement in both high and low gear and proper shifting between gears. Rebuild if necessary.

**NOTE:** The crank shaft should translate approximately 5/8" between high and low gear.

9. Rebuild or replace the landing gear with excessive play in the shafts and bushings.

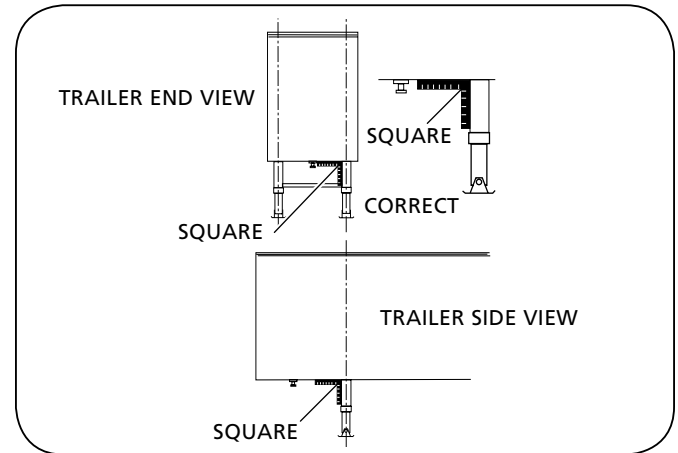


### 8.5 Landing Gear Alignment

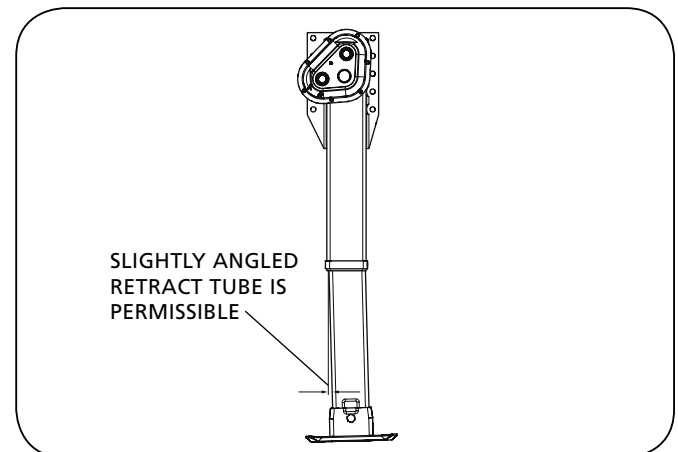
Check to make sure the landing gear legs are in alignment with the trailer and parallel with each other using a square (**Figure 28**). Bent or damaged legs are an indication of possible damage to the lift screw, lift nut or other internal components and should be replaced.

**NOTE:** Atlas 55, 65 and iM landing gear utilize a floating nut retract tube design. A retract tube that appears to be angled slightly compared to the upper housing DOES NOT constitute a damaged leg (**Figure 29**). However, if the landing gear housing shows signs of fracture or cracking around the band area, the landing gear must be replaced.

**Figure 28**



**Figure 29**



## 9. Troubleshooting

PROBLEM	POSSIBLE CAUSE	RESOLUTION
Hard to Crank Landing Gear	Turning the crank in the wrong direction	Refer to "Landing Gear Operation" for proper crank rotation.
	Attempting to raise or lower trailer in high gear.	Shift into low gear. DO NOT ATTEMPT TO LIFT OR LOWER IN HIGH GEAR. Doing so could result in damage to the landing gear.
	Cross shaft binding.	Inspect cross shaft bolts. Back off bolts to allow lateral (side to side) movement of the cross shaft. Straighten or shorten cross shaft to eliminate binding.
	Misaligned landing gear legs.	Legs MUST be parallel and extend and retract evenly. Remove cross driveshaft and adjust landing gear legs to same height.
	Lack of grease.	Grease landing gear legs as provided in the "Lubrication" section.
	Damaged lift screw or nut.	Check landing gear for signs of impact (accident) damage. Disconnect cross shaft and crank legs individually to determine which leg is damaged. Replace entire retract assembly or damaged leg.
	Interference between powder metal bushing or jackshaft of gearbox and trailer mounting surface.	Trailer mounting surface may need to be modified to ensure no interference between bushing or jackshaft and trailer surface.
	Upper housing or retract tube may be bent.	Replace damaged part(s) or landing gear.
	Excessive wear or damage to pinion, bevel, input, idler and/or output gears.	Replace damaged gears.
	Bearing boss is pushed inside housing.	Replace jackshaft and O-ring with jackshaft repair kit designed for landing gear models sold after January 2013.
	Weld blow through where strut bracket is welded to housing.	Grind weld as required and re-weld. (With no-load on landing gear, the retract tube should have free play inside the housing.)
Hard to crank landing gear under load only.	Damaged collar.	Replace the collar
	Damaged thrust bearing.	Replace the thrust bearing.
Crankshaft jams or skips while turning.	Inner leg screw damaged.	Examine the lift nut and screw of the inner leg assembly for impact (accident) damage. Replace components or leg as necessary.
	Worn, broken, or damaged gears (missing teeth).	Examine pinion, bevel pinion and all gearbox gears for missing teeth or other signs of damage or wear. Replace components as necessary.
Landing gear will NOT shift between gears.	Low input gear is frozen or binding on the shift shaft.	Follow procedures in the Troubleshooting Guide XL-LG11424TS-en-US to restore easy shifting.
Gearbox leg operates but opposite leg DOES NOT.	Broken/damaged cross driveshaft bolt.	Replace cross driveshaft bolt.
	Broken/damaged cross driveshaft.	Replace cross driveshaft.
	Bevel gear pin/pinion gear pin sheared in non-gearbox leg.	Remove upper leg cover. Check for damaged or missing pins under bevel gear, or in pinion gear and replace as necessary.
	Bevel gear/pinion gear damaged in non-gearbox leg.	Remove upper leg cover. Check for damaged gears and replace as necessary.
Non-gearbox leg operates, but gearbox leg DOES NOT.	Bevel gear pin/pinion gear pin sheared in gearbox leg.	Remove upper leg cover. Check for damaged or missing pins under bevel gear, or in pinion gear and replace as necessary.
	Bevel gear/pinion gear damaged in gearbox leg.	Remove upper leg cover. Check for damaged gears and replace as necessary.
Both legs will NOT operate, shift shaft will turn but output shaft DOES NOT turn.	Damaged input, idler, and/or output gear.	Remove gearbox cover. Inspect and replace broken gears.
	Gear pin(s) sheared in gearbox.	Remove gearbox cover. Inspect and replace broken pins.
Both legs will NOT operate, but shift shaft and output shaft turn.	Bevel gear pin/pinion gear pin sheared in both legs.	Remove upper leg covers. Check for damaged or missing pins under bevel gear, or in pinion gear and replace as necessary.
	Bevel gear/pinion gear damaged in both legs.	Remove upper leg covers. Check for damaged gears and replace as necessary.
Legs locked and will NOT turn	Bent retracting screw or damaged riser nut and screw.	Check landing gear for signs of impact (accident) damage. Disconnect cross shaft and attempt to crank legs individually to determine which leg is damaged. Replace entire retract assembly or damaged leg.





From fifth wheel rebuild kits to suspension bushing repair kits, SAF-HOLLAND Original Parts are the same quality components used in the original component assembly.

SAF-HOLLAND Original Parts are tested and designed to provide maximum performance and durability. Will-fits, look-alikes or, worse yet, counterfeit parts will only limit the performance potential and could possibly void SAF-HOLLAND's warranty. Always be sure to spec SAF-HOLLAND Original Parts when servicing your SAF-HOLLAND product.

**SAF-HOLLAND USA • 888.396.6501 • Fax 800.356.3929**  
[www.safholland.us](http://www.safholland.us)

**SAF-HOLLAND CANADA • 519.537.3494 • Fax 800.565.7753**  
**WESTERN CANADA • 604.574.7491 • Fax 604.574.0244**  
[www.safholland.ca](http://www.safholland.ca)

**SAF-HOLLAND MEXICO • 52.55.5362.8743 • Fax 52.55.5362.8743**  
[www.safholland.com.mx](http://www.safholland.com.mx)

[info@safholland.com](mailto:info@safholland.com)