



SAF-HOLLAND Group

## Important Info – October 2017

### HOLLAND Landing Gear

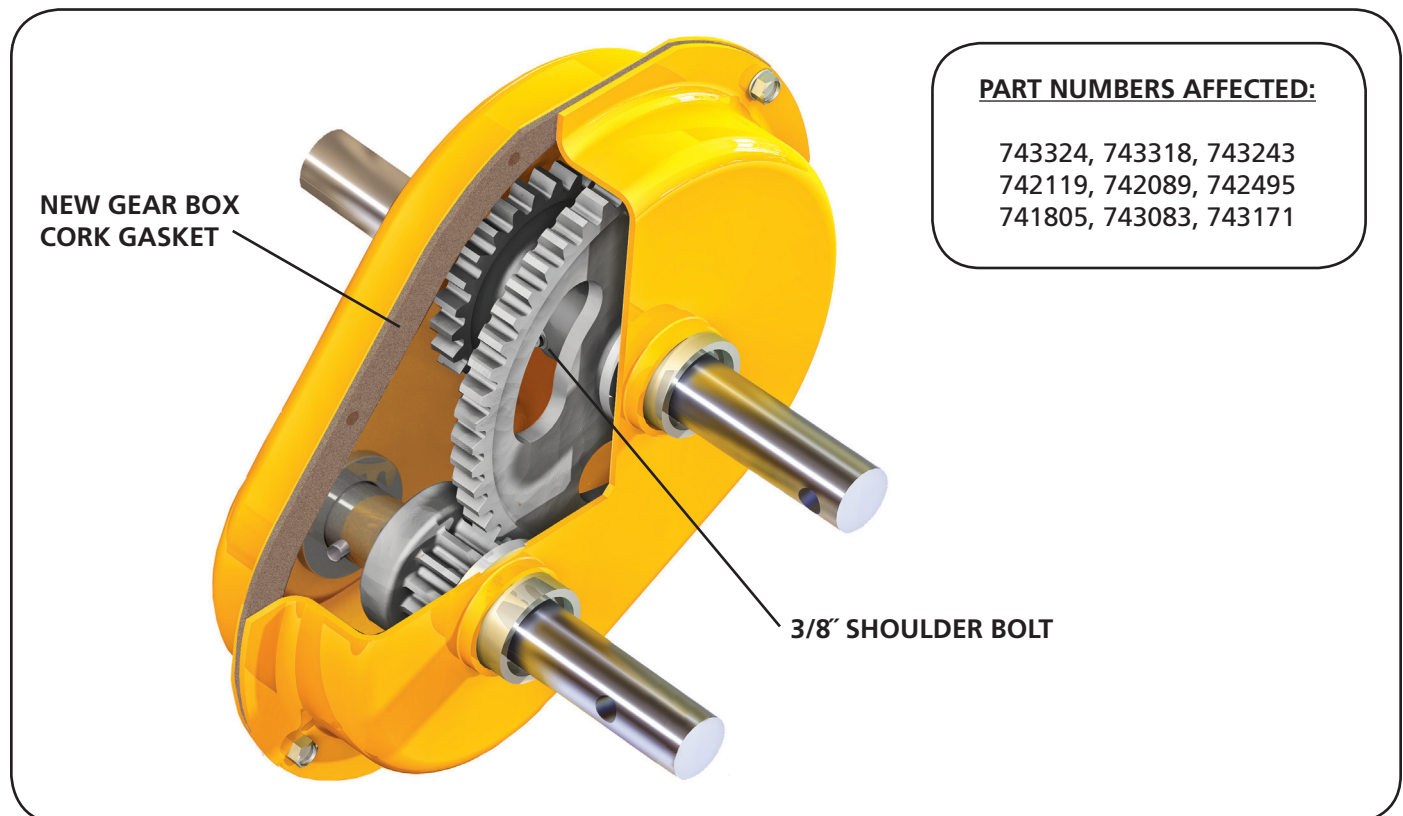
**HOLLAND CLASSIC 2-SPEED (GRAIN HOPPER) GEAR BOX with improved seal, gear attachment and added lubrication.**

#### Product Enhancement Notice Effective October 2, 2017

The HOLLAND 2-Speed trap door (grain hopper) gear box will now feature three new enhancements to better facilitate years of trouble free operation.

The following changes have been made:

- **Gear Box Cork Gasket** – for improved sealing from contaminants and grease retention
- **Gear to Drive Shaft Attachment** – a 3/8" shoulder bolt has replaced the groove or spring pin for improved reliability.
- **Added Grease** - 1/2 lb. added for increased protection.



USA Tel 888.396.6501

Canada Tel 800.503.9847

2017-10-05

XL-LG20024WI-en-US Rev A

SAF-HOLLAND USA, INC.  
1950 Industrial Blvd, Muskegon, MI 49442  
www.safholland.us  
info@safholland.com

SAF-HOLLAND CANADA, LTD.  
595 Athlone Avenue, Woodstock, ON, N4S 0A4  
www.safholland.ca  
info@safholland.ca

