



INSTALLATION INSTRUCTIONS FOR RK-07593

Kit Contents:

1	XA-V-06602	Idler gear
1	XA-V-06606	Spur gear
1	XA-V-07085	Idler shaft
1	XB-BAL-023-01	Ball
1	XB-SPG-020-02	Spring
6	XB-06372	Thread rolling screw

ITEM NO.

- 1 - Drive shaft
- 2 - Crank shaft
- 3 - Gearbox cover
- 4 - Thread rolling screw
- 5 - Shift gear
- 6 - Step gear
- 7 - Idler gear
- 8 - Idler gear shaft
- 9 - Spur gear
- 10 - Ball
- 11 - Spring
- 12 - Shift lock bearing
- 13 - Pin
- 14 - Metal bushing
- 15 - Gearbox housing

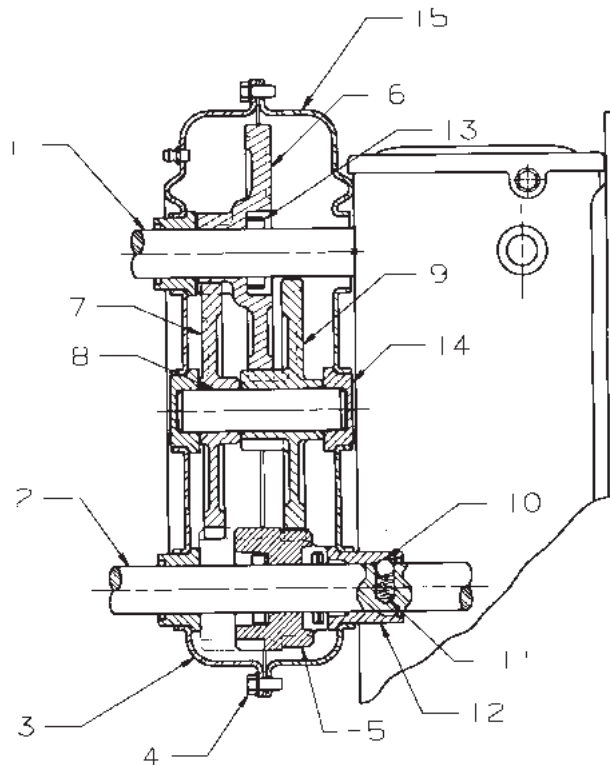


FIGURE 1
(LOW SPEED RANGE SHOWN)

The following procedure should be used in conjunction with Holland Hitch Repair Kit RK-07593 for the replacement of the idler gear (XA-V-06602) and spur gear (XA-V-06606) in the new Mark V gearbox assembly. Kit installation can be completed without removing the landing gear. You may find, however, that repairs are done easier in a horizontal position.

GEARBOX DISMANTLING:

1. Make certain that the gearbox is in the low speed range (push in on crankshaft for outside mount).
2. Remove crank arm assembly from the crank shaft (2).
3. Remove all rust from the drive shaft (1) and crank shaft (2) and lubricate for easy removal of gearbox cover (3).
4. Remove gearbox cover (3) by removing screws (4) and sliding gearbox cover away from main leg assembly.

NOTE: Avoid fast, jerky motion while sliding the gearbox cover off. This will help prevent the ball and spring shift mechanism from dislodging from the shift lock bearing (12).

5. Make certain the gear is still in the low range position (see figure 1).
6. Remove step gear (6) from drive shaft (1).
7. Remove idler gear (7) from the idler gear shaft (8). Remove the idler gear shaft (8) and spur gear (9).

NOTE: Corrosion may cause bonding between the idler gear shaft (8) and both the idler gear (7) and spur gear (9). By first removing the step gear (6) there will be sufficient room to remove items (7), (8), and (9) as one piece.

GEARBOX ASSEMBLY:

1. The gears and idler shaft must be coated with a permanent type grease in order to obtain successful operation. Special care should be taken to assure that the inside bore of both gears is covered with a light coating of grease (see figure 2).
2. Slide idler gear shaft (8) into the center bushing (14) of the upper leg gearbox housing (15). Slide spur gear (9) on idler gear shaft (8).
3. If the ball (10) and spring (11) became dislodged from the shift lock bearing (12) during disassembly, the following steps should be followed to reassemble.
 - A. Rotate and slide crank shaft (2) out until the ball spring hole in the shaft is adjacent to the bushing and oriented with the hole in line with the centers of the other two shafts (1) and (8). (See figure 3).
 - B. Insert spring (11) followed by the ball (10). Compress the ball and spring using your thumb and attempt to push the crank shaft (2) in with the other hand, thus capturing the ball and spring under the shift lock bearing.
 - C. Push crank shaft (2) in until the shifter gear is engaged in low gear.
4. Slide step gear (6) onto drive shaft (1). Be sure that the pin (13) is seated in the cut out portion of the step gear as shown in figure 4.
5. Slide idler gear (7) onto idler shaft (8) with the shoulder of gear to the inside.
6. Supplement gearbox with additional grease as required.
7. Replace gearbox cover (3) and assemble with thread rolling screws (4).

