

## Lite Slide 4: Ramp Ready Slider: Elimination of the Mechanical Pin Puller Option

Effective: October 1, 2019

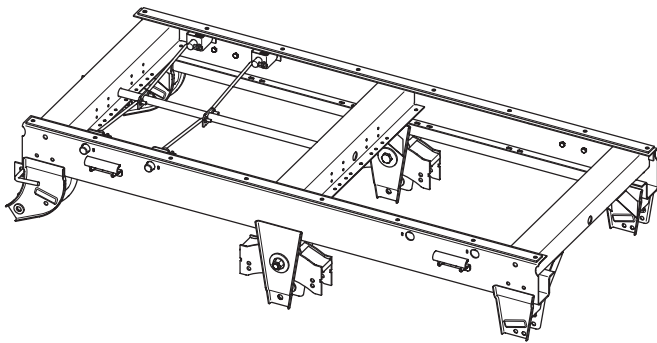
### Attention

SAF-HOLLAND is eliminating the two mechanical pin pull options for the ramp ready Lite Slide 4 product line. The pneumatic (air) actuated pin pull option will now become the standard and only pin pull mechanism available. This change reduces complexity and provides an easier to operate system with the actuation of the pin pull valve. This saves the driver effort and potential for injury.

### Discontinued - Manually Actuated Pin Pull Sliders:

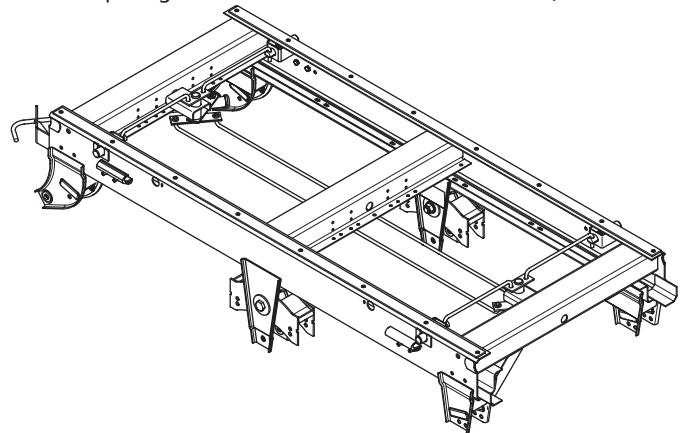
**Straight Pull Handle:**  
12" Pin Spacing

**Models:**  
SUR984-54, SUR984-48,  
SUR984-42



**Straight Pull Handle:**  
72" Pin Spacing

**Models:**  
SLF98E-2B, SLF98E-8B



### Standard - Pneumatic (air) Actuated Pin Pull Sliders:

**Straight Pull Handle:**  
72" Pin Spacing

**Models:**  
SLF98E-2B, SLF98E-8B

