

## Owner's Manual

### PH-T-60-AOL-8

### Rigid Mount Pintle Hook

Installation, Operation and Maintenance Procedures

- For On and Off-Road Applications
- Maximum GTW: 30,000 lb. (13,608 kg)  
Maximum Vertical Load: 6,000 lb. (2,722 kg)  
Weight (Approx.): 11 lb. (5 kg)



Contents	Page
Introduction.....	2
Warranty.....	2
Notes, Cautions, and Warnings .....	2
Section 1 – General Safety Instructions .....	3
Components Exploded View .....	4
Components Parts List.....	5
Dimensions .....	5
Section 2 – Drawbar Eye Dimensions.....	6

Contents	Page
Section 3 – Load Ratings per SAE J847 .....	6
Section 4 – Towing Applications .....	6
Section 5 – General Information.....	6
Section 6 – General Safety Information ....	6
Section 7 – Mounting Instructions.....	7
Section 8 – Operating Instructions .....	8
Section 9 – Maintenance.....	9
Section 10 – Replacement Kits .....	10

## Introduction

This manual provides information necessary for the proper operation, maintenance, and inspection of the SAF-HOLLAND® pintle hook.

**NOTE:** For HOLLAND® replacement components contact SAF-HOLLAND® Customer Service: 1-888-396-6501.

Proper tools **MUST** be used to perform the maintenance and repair procedures described in this manual.

This manual contains the terms “NOTE”, “IMPORTANT”, “CAUTION”, and “WARNING” followed by important product information. These terms are defined as follows:

## Warranty

Refer to the complete warranty for the country in which the product will be used. A copy of the written warranty can be downloaded from our SAF-HOLLAND® website ([www.safholland.com](http://www.safholland.com)).

**NOTE:** Includes additional information to enable accurate and easy performance of procedures.

**IMPORTANT:** Includes additional information that if not followed could lead to hindered product performance.

## Notes, Cautions, and Warnings

Read this manual and understand all of the procedures presented in it, before starting any work on the pintle hook.

**NOTE:** In the United States, work shop safety requirements are defined by federal and/or state Occupational Safety and Health Act. Equivalent laws could exist in other countries. This manual is written based on the assumption that OSHA or other applicable employee safety regulations are followed by the location where work is performed.

**CAUTION** Used without the safety alert symbol, indicates a potentially hazardous situation which, if not avoided, could result in property damage.

**CAUTION** Indicates a potentially hazardous situation which, if not avoided, could result in minor or moderate injury.

**WARNING** Indicates a potentially hazardous situation which, if not avoided, could result in death or serious injury.

## 1. General Safety Instructions

**IMPORTANT:** Read this manual before using this product. Keep this manual in a safe location for future reference.

**WARNING** Failure to follow the instructions and safety precautions in this manual can result in equipment failure which, if not avoided, could result in death or serious injury.

Read and observe all Warning and Caution hazard alert messages in this publication. The alerts provide information that can help prevent serious personal injury, damage to components, or both.

**NOTE:** In this manual, all descriptions of orientation are relative to the vehicle.

FRONT

PH-775SL11 ILLUSTRATED

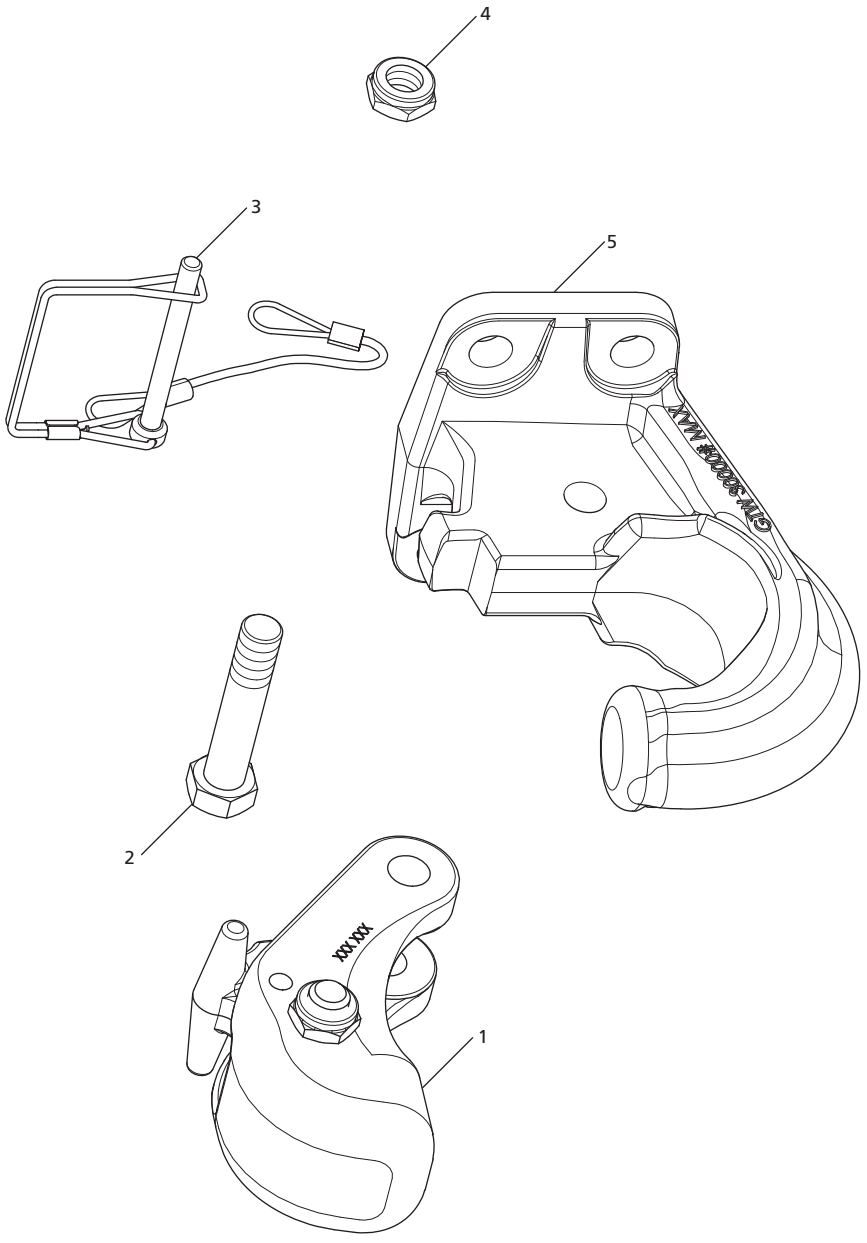


REAR

# Exploded View



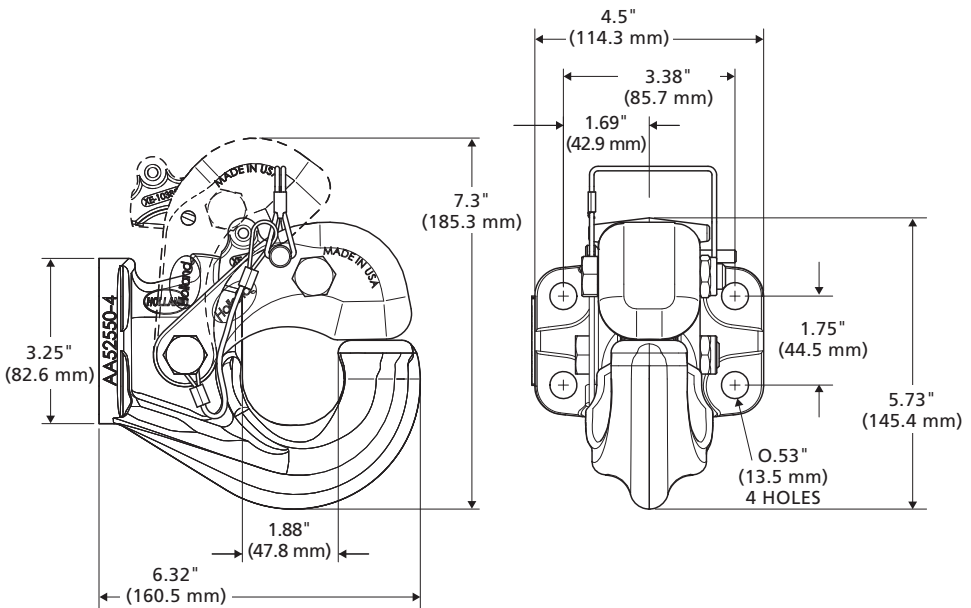
SAF-HOLLAND Group



## PH-T-60-AOL-8 PARTS LIST

ITEM	DESCRIPTION	PART NUMBER	QTY.
1	Lock, S/A (Latch Assembly)	XA-T-62-O-1L-8	1
2	HHCS 1/2"-20 x 2-1/2" (1/2" Latch Bolt)	XB-T-89-4	1
3	1/4" Wire Lock Pin and Lanyard (Tethered Lock Pin)	XB-11895	1
4	Nylon Insert Jam Nut, 1/2"-20 (1/2" Latch Nut)	XB-11048	1
5	Hook, Pintle (Pintle Hook)	XA-T-60-0S1	1

**Note:** Not all component parts are for sale individually. For replacement kits, refer to Section 10. For individual component parts please call +1 (888) 396-6501.



## 2. Drawbar Eye Dimensions

2" (50.8 mm) to 3" (76.2 mm) I.D with a 1.25" (31.8 mm) to 1.63" (41.3 mm) diameter cross section.

## 3. Load Ratings Per SAE J847

This product meets or exceeds the testing requirements for SAE J847 Type II Loads.

Maximum GTW: 30,000 lb. (13,608 kg)

Maximum Vert. Load: 6,000 lb. (2,722 kg)

## 4. Towing Applications

For general on/off road towing. For severe off-road applications, reduce the above capacities by 25% and use in conjunction with a swivel type drawbar.

**IMPORTANT:** Off-road refers to terrain on which a tow/towed vehicle will operate that is ungraded, rough or undulating, with no maintained travel surface, generally considered to NOT be part of the public road system. Examples include agricultural fields, construction sites, utility right-of-way, temporary logging roads, and what is commonly referred to as 'two-track' roads.

## 5. General Information

1. DO NOT modify or add to the product.
2. DO NOT weld on this product.
3. This product is covered by the SAF-HOLLAND® Commercial Warranty. SAF-HOLLAND® reserves the right, without giving prior notice, to change specifications and dimensions as designs are altered or improved.

4. Inspect the coupling device on the tow vehicle for proper operation. DO NOT use any coupling device that DOES NOT operate properly.
5. Other steps and inspections are also required. Consult D.O.T. regulations and American Trucking Association for complete coupling and uncoupling procedures. These cover items such as cargo securement, brakes, lights, safety chains, and other important requirements.

## 6. General Safety Information

This equipment MUST NOT be used in a careless manner.

During Operation:

1. Maintain adequate vertical (tongue) load to properly control the towed unit (generally 10% of maximum GTW) but DO NOT exceed the rated capacities.
2. DO NOT damage the latch. Be particularly careful during coupling and uncoupling.
3. Wear safety goggles during installation and removal.
4. NEVER strike any part of the item with a steel hammer.

## 7. Mounting Instructions

- Before installation make sure that the mounting structure is of sufficient strength to support the rated capacities of the pintle hook. Refer to SAE J847 for structural performance requirements.
- The bolt holes and mounting clearance area are detailed in **(Figure 3)**.
- Installation methods:
  - Thru-bolt to the mounting structure:
 

Insert and tighten four (4) new 1/2" diameter Grade 8 bolts, ASTM Grade C lock nuts, and hardened washers **(Figure 1)**. The recommended minimum torque is 60 ft.-lbs. (81.4 N•m).
  - Direct bolt to drilled and tapped mounting structure:
 

Apply nonpermanent thread lock compound Loctite® #242 or equivalent to four (4) new 1/2" diameter Grade 8 bolts **(Figure 2)**. The recommended minimum torque is 60 ft.-lbs. (81.4 N•m).
- Properly tighten the mounting bolts and nuts. The recommended minimum torque is 60 ft.-lbs. (81.4 N•m).

Figure 1

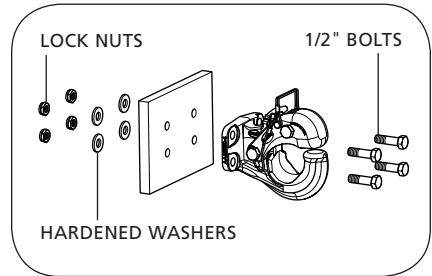


Figure 2

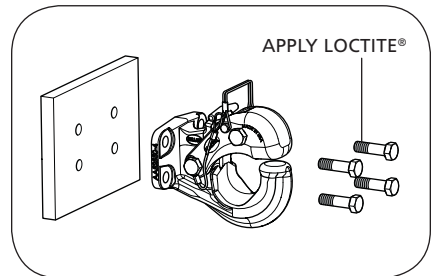
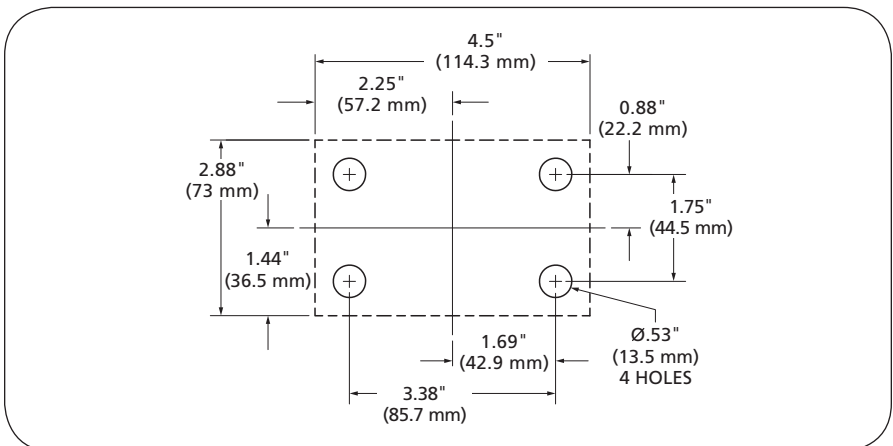


Figure 3



## 8. Operating Instructions

1. Before operating, inspect for proper operation, worn, damaged, or missing parts, and a secure mounting. Correct as required before use.
2. Unlock and remove the tethered lock pin (Figure 4).
4. Lift the lock handle away from the vehicle until the lock clears the lock seat on the hook body, open the latch by rotating the latch assembly up towards the vehicle until the latch is in its most upright position, then release the lock handle (Figure 5 and Figure 6).
5. Position the drawbar eye over the horn of the pintle and lower into place.
6. Push the latch closed. When correctly locked, the lock will rotate and fully seat into the lock seat (Figure 7a and Figure 7b).
7. Insert the tethered lock pin through the latch and lock holes, and then close the tethered lock pin (Figure 4).

**⚠ WARNING** Failure to correctly lock the latch can result in separation of the pintle hook and drawbar, which, if not avoided, could result in death or serious injury.

Figure 4

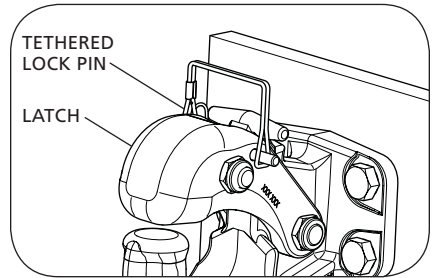


Figure 5

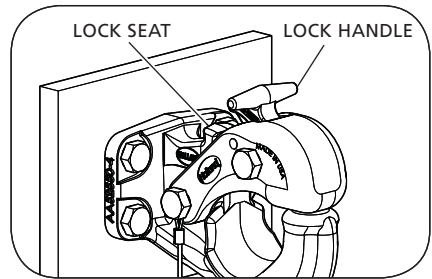


Figure 6

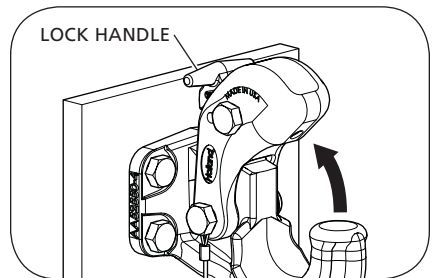


Figure 7a

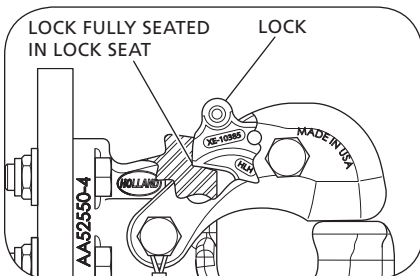
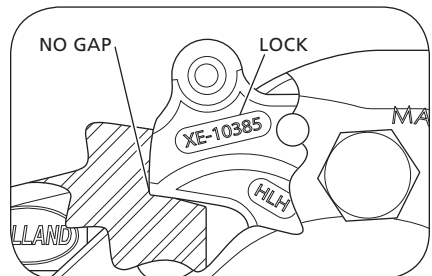


Figure 7b





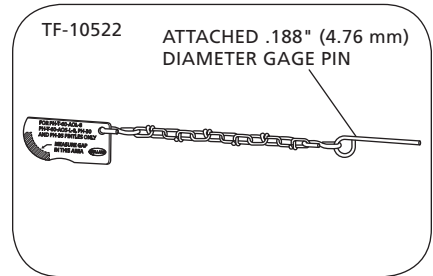
## 9. Maintenance

For proper performance, the following maintenance steps should be performed every 30,000 miles (48,280 km) or three (3) months, whichever comes first.

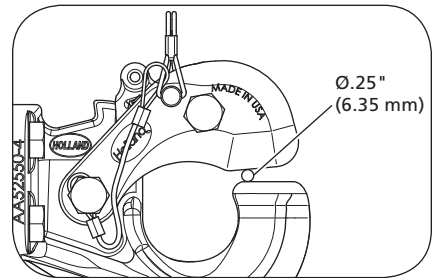
**WARNING** Failure to inspect and maintain the pintle hook could result in separation of the pintle hook and drawbar, which, if not avoided, could result in death or serious injury.

1. Clean and check for proper operation. Inspect for worn, damaged or missing parts. Replace as required using only genuine SAF-HOLLAND® parts.
2. Carefully inspect the drawbar contact area. Replace the complete pintle hook when wear exceeds 0.188" (4.76 mm) from the original surface profile. Wear gage (TF-10522) is available for purchase (**Figure 8**).
3. With the latch closed, measure the gap between the hook and the latch while lifting up on the latch. Replace the latch when the gap exceeds 0.25" (6.35 mm) (**Figure 9**). Refer to Section 10.

**Figure 8**



**Figure 9**



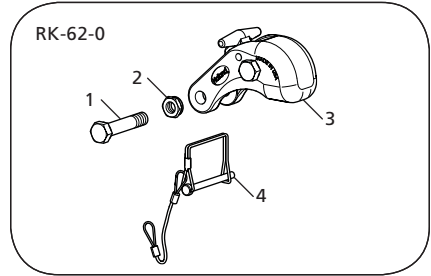
## 10. Replacement Kits

### Latch Kit (RK-62-0)

If the latch becomes worn or damaged, order latch kit (**Figure 10**).

LATCH KIT RK-62-0			
ITEM	DESCRIPTION	PART NUMBER	QTY.
1	HHCS 1/2"-20 x 2-1/2" (1/2" Latch Bolt)	XB-T-89-4	1
2	Nylon Insert Jam Nut, 1/2"-20 (1/2" Latch Nut)	XB-11048	1
3	Lock, S/A (Latch Assembly)	XA-T-62-O-1L-8	1
4	1/4" Wire Lock Pin and Lanyard (Tethered Lock Pin)	XB-11895	1

**Figure 10**







From fifth wheel rebuild kits to suspension bushing repair kits, SAF-HOLLAND Original Parts are the same quality components used in the original component assembly.

SAF-HOLLAND Original Parts are tested and designed to provide maximum performance and durability. Will-fits, look-alikes or, worse yet, counterfeit parts will only limit the performance potential and could possibly void SAF-HOLLAND's warranty. Always be sure to spec SAF-HOLLAND Original Parts when servicing your SAF-HOLLAND product.

**SAF-HOLLAND USA • 888.396.6501 • Fax 800.356.3929**  
**[www.safholland.us](http://www.safholland.us)**

**SAF-HOLLAND CANADA • 519.537.3494 • Fax 800.565.7753**  
**WESTERN CANADA • 604.574.7491 • Fax 604.574.0244**  
**[www.safholland.ca](http://www.safholland.ca)**

**SAF-HOLLAND MEXICO • 52.1.55.5456.8641 • Fax 52.55.58162230**  
**[www.safholland.com.mx](http://www.safholland.com.mx)**

**[info@safholland.com](mailto:info@safholland.com)**

SAF-HOLLAND USA, INC.  
1950 Industrial Blvd, Muskegon, MI 49443  
[www.safholland.com](http://www.safholland.com)

