



TOW SHACKLE

SPECIFICATIONS



APPLICATIONS

Used for lifting, tie downs and emergency tow cable or chain attachment within the rated capacity. These tow shackles are to be used **ONLY** for emergency towing and are not for on- or off-road towing of trailers or equipment.

MOUNTING

1. Use a mounting structure of sufficient strength to support the rated capacity of the tow shackle. SAE J849 and SAE J847 are suggested as a reference.
2. Use the hole pattern described below.
3. Use three 5/8" Grade 8 fasteners, properly tightened.

OPERATION AND MAINTENANCE

1. Regularly inspect the tow shackle for damage or wear and repair or replace as needed.
2. Regularly lubricate shackle pivot points.
3. Check the mounting fasteners for proper torque.

GENERAL INFORMATION

1. Do not modify or add to the product.
2. Wear safety goggles during installation and removal.
3. Never strike any part of the item with a steel hammer.
4. Do not weld on these products without written consent from the factory.



TH-0681

Tow shackle with 2.75" I.D. clevis with .88" diameter section

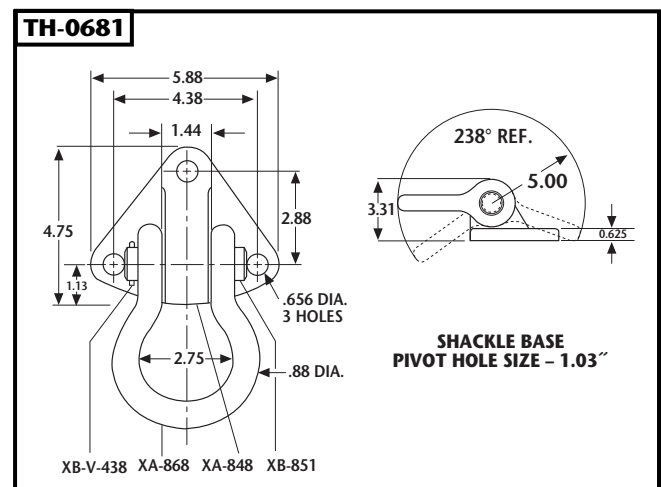
18,000 lbs. Maximum Drawbar Pull

Weight: 10 lbs.

This product is covered by Holland's Commercial Products Warranty. Holland reserves the right, without giving prior notice to change specifications and dimensions as designs are altered or improved.

⚠ WARNING This equipment must not be used or maintained in a careless manner.

MOUNTING DIMENSIONS





GO THE DISTANCE.

Copyright © February 2005 • The Holland Group, Inc.

Holland USA, Inc. Facilities:

Dumas, AR Muskegon, MI
Holland, MI Warrenton, MO
Monroe, NC Wylie, TX

Ph: 888-396-6501 Fax: 800-356-3929

Holland International, Inc.

Holland, MI
Phone: 616-396-6501
Fax: 616-396-1511

Holland Hitch of Canada, Ltd.

Woodstock, Ontario • Canada
Phone: 519-537-3494
Fax: 800-565-7753

Holland Equipment, Ltd.

Norwich, Ontario • Canada
Phone: 519-863-3414
Fax: 519-863-2398

Holland Hitch of Canada, Ltd.

Surrey, British Columbia • Canada
Phone: 604-574-7491
Fax: 604-574-0244