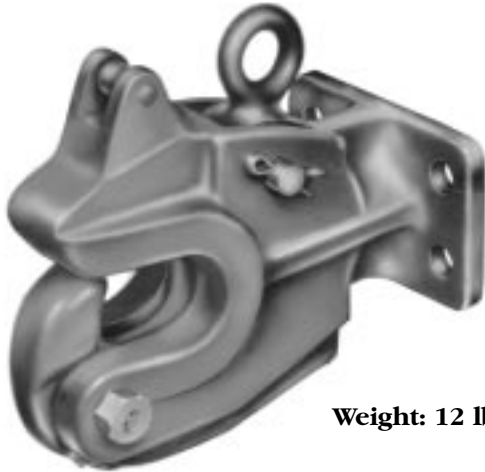




# CP-400-5A

## CP-400-5A SPECIFICATIONS



Weight: 12 lbs.



**Rigid mount industrial coupler with cable pull release.**

**3,500 lbs. Maximum Vertical Load**  
**14,000 lbs. Maximum Gross Trailer Weight**



### **WARNING**

Maintain adequate vertical (tongue) load to properly control the trailer (generally 10%), but do not exceed the above rated capacities.

### **TOWING APPLICATIONS:**

**Non-highway** towing applications such as the movement of material inside or between manufacturing plants, and similar material handling towing applications.  
**Not designed for over-the-road use.**

### **DRAWBAR EYE DIMENSIONS:**

2" to 2.5" I.D. with 1.25" to 1.50" diameter section. Other sizes can be used, providing they permit proper coupling and are of compatible capacity.

### **MOUNTING:**

1. Use a mounting structure of sufficient strength to support the rated capacity of the coupler in accordance with SAE J849 and SAE J847, respectively.
2. Use the hole pattern described on the reverse.
3. Use (4) .5" grade 8 fasteners, properly tightened.

### **OPERATING INSTRUCTIONS:**



### **WARNING**

When operating, use extreme caution. The mechanism of the coupler may allow sudden movement of trailer and tow vehicle, and could cause injury to the operator.

1. Before operating, inspect for proper operation; worn, damaged, or missing parts; and a secure mounting. Correct as required before use.
2. Open coupler jaw (XA-501-A) by pulling ring (XA-GT-010) away from the mounting base. Jaw will automatically rotate open.
3. To couple, back near the trailer with the trailer drawbar centered on the coupler. Stop and adjust the drawbar height so it will enter the coupler mouth. Back in slowly to automatically lock the coupler to the drawbar.



### **WARNING**

**DO NOT** damage the coupler or its components. Be particularly careful with the drawbar when coupling and uncoupling.

4. Check that the coupler jaw is closed and locked (release ring is fully toward mounting base).



### **WARNING**

Other steps and inspections are also required. Consult OSHA regulations for complete coupling and uncoupling procedures.

### **MAINTENANCE:**

For proper performance, the following maintenance steps should be performed every 3 months, or sooner under severe conditions.

1. Clean and check for proper operation. Inspect for worn, damaged or missing parts. Replace as required using only Holland parts.
2. Inspect in particular, the coupling contact area. Replace when wear exceeds 1/8" (.125") from the original surface profile.
3. Regularly lubricate all pivot points with a light oil lubricant.
4. Check mounting fasteners for proper torque.

## GENERAL INFORMATION:

1. Do not modify or add to the product.
2. Wear safety goggles during installation, removal and servicing.
3. Never strike any part of the item with a steel hammer.
4. Do not weld on this product without written consent from the factory.

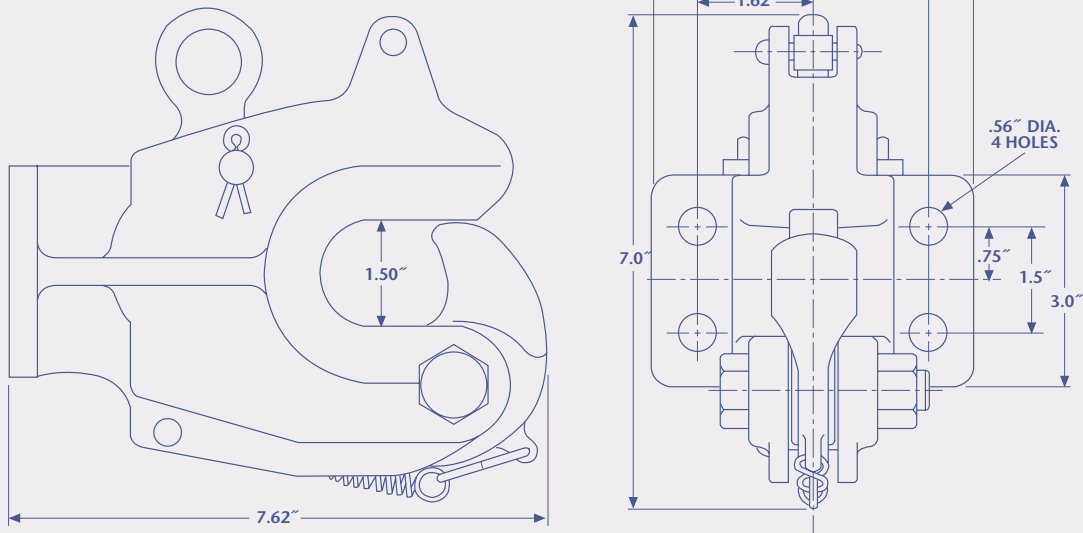
This product is covered by Holland's Commercial Products Warranty. Holland reserves the right, without giving prior notice, to change specifications and dimensions as designs are altered or improved.



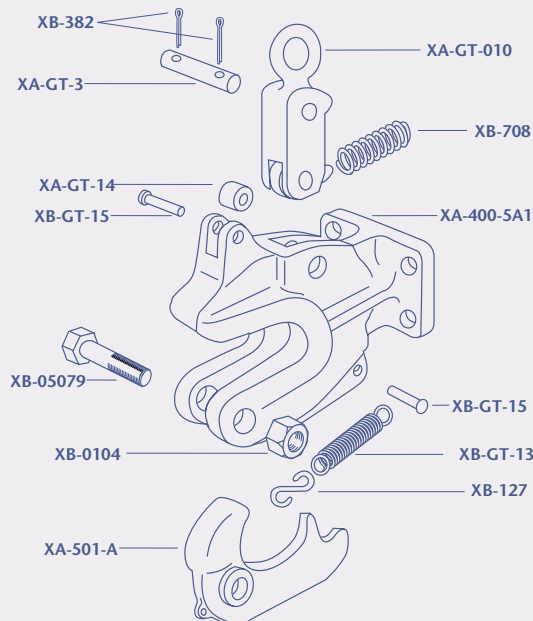
**WARNING**

This product must not be used or maintained in a careless manner.

### CP-400-5A



**ALL DIMENSIONS SHOWN ARE NOMINAL**



Copyright © February 2001 • The Holland Group, Inc.



#### Holland Hitch Company Divisions:

Holland, MI  
Whitehouse Station, NJ  
Denmark, SC  
Wylie, TX  
Milpitas, CA  
Phone: 888-396-6501  
Fax: 800-769-3299

#### Holland Binkley Co.

Warrenton, MO  
Phone: 636-456-3455  
Fax: 636-456-6792

#### Holland Binkley Co. Axle Products Division

Delphos, OH  
Phone: 419-692-6015  
Fax: 419-692-0503

#### Holland Neway International, Inc.

Muskegon, MI  
Phone: 231-773-3271  
Fax: 231-766-3893

#### Holland International, Inc.

Holland, MI  
Phone: 616-396-6501  
Fax: 616-396-1511

#### Holland Hitch of Canada, Ltd.

Woodstock, Ontario • Canada  
Phone: 519-537-3494  
Fax: 800-565-7753

#### Holland Hitch Western, Ltd.

Surrey, British Columbia • Canada  
Phone: 604-574-7491  
Fax: 604-574-0244

#### Holland Equipment, Ltd.

Norwich, Ontario • Canada  
Phone: 519-863-3414  
Fax: 519-863-2398