



PH-16-B

PH-16-B SPECIFICATIONS



Weight 10 lbs.

IMPORTANT SAFETY INFORMATION:

Maintain adequate vertical (tongue) load to properly control the trailer (generally 10%) but do not exceed the above rated capacities.

DO NOT damage the latch. Be particularly careful with the drawbar when coupling and uncoupling.

Other steps and inspections are also required. Consult OSHA and D.O.T. regulations and American Trucking Association for complete coupling and uncoupling procedures. These cover items such as cargo securement, brakes, lights, safety chains, and other important requirements.

This equipment must not be used or maintained in a careless manner.

GENERAL INFORMATION

1. Do not modify or add to the product.
2. Wear safety goggles during installation, removal and servicing.
3. Never strike any part of the item with a steel hammer.
4. Do not weld on this product.

This product is covered by Holland's Commercial Products Warranty. Holland reserves the right, without giving prior notice, to change specifications and dimensions as designs are altered or improved.

TOWING APPLICATIONS:

Trailers and equipment designed for over-the-road towing within the stated capacities. For off-road applications, reduce the capacities above by 25% and use in conjunction with a swivel type drawbar. This pintle hook/ball hitch is well suited for use in the utility and construction industries.

DRAWBAR EYE/BALL HITCH DIMENSIONS:

2.38" to 3" I.D. with 1.25" to 1.63" diameter section/2" SAE J684 ball hitch coupler.



Rigid type pintle hook/2" ball hitch.

CAPACITY – Pintle Hook:

3,800 lbs. Maximum Vertical Load

19,000 lbs. Maximum Gross Trailer Weight

CAPACITY – 2" Ball Hitch:

10,000 lbs. Maximum Gross Trailer Weight
Meets SAE J684 Class 4 Standards in a 2" Ball

SAE J847 Information:

Type I - not applicable. Type II - 20,000 lbs.

MOUNTING:

1. Use a mounting structure of sufficient strength to support the rated capacity of the pintle hook in accordance with SAE J849 and SAE J847 respectively.
2. Use the hole pattern described on the reverse.
3. Use (4) .5" grade 8 fasteners, properly tightened — recommended minimum torque is 60 ft.-lb., per SAE J429.

OPERATING INSTRUCTIONS – PINTLE HOOK:

1. Before operating, inspect for proper operation, worn, damaged or missing parts and secure mounting. Correct as required before use.
2. Open latch by removing latch pin (A), pull up on lock (B) while lifting latch (C).
3. Position drawbar eye over the horn of the pintle hook and lower into place.
4. Push the latch closed and insert the latch pin (A).

OPERATING INSTRUCTIONS – BALL HITCH:

1. Before operating, inspect for proper operation, worn, damaged or missing parts and secure mounting. Correct as required before use.
2. Open latch by removing latch pin (A), pull up on lock (B) while lifting latch (C).
3. Replace latch pin (A) in the hole to retain latch in open position.
4. Position ball coupler over the 2" ball and lock into place, following the instructions of the coupler manufacturer. Be sure coupler size matches ball size.

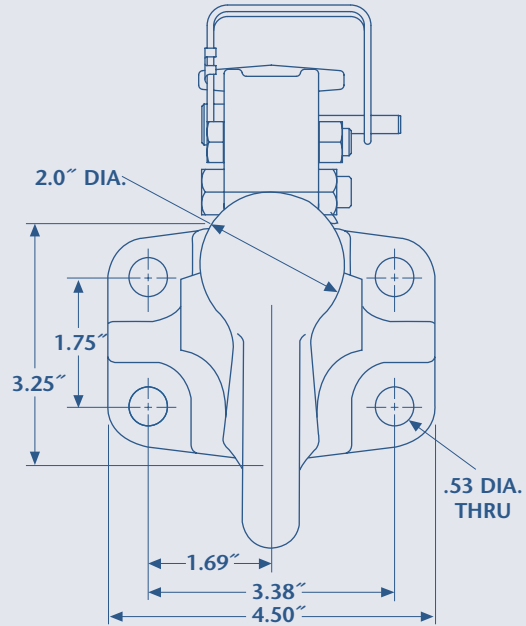
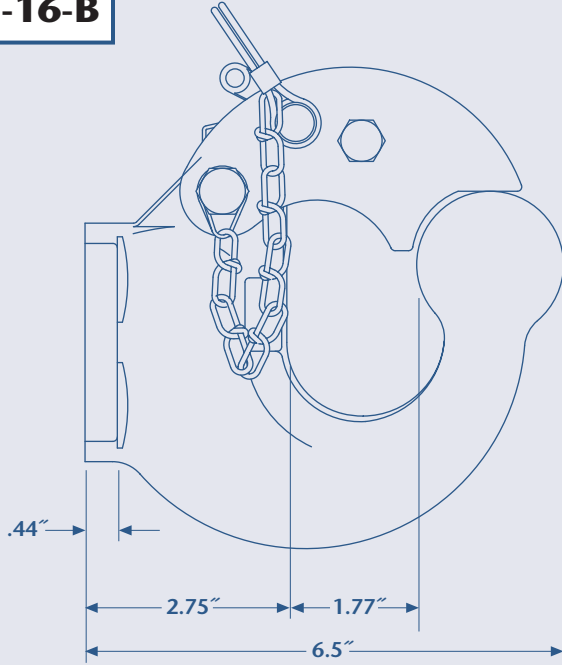
continued

MAINTENANCE:

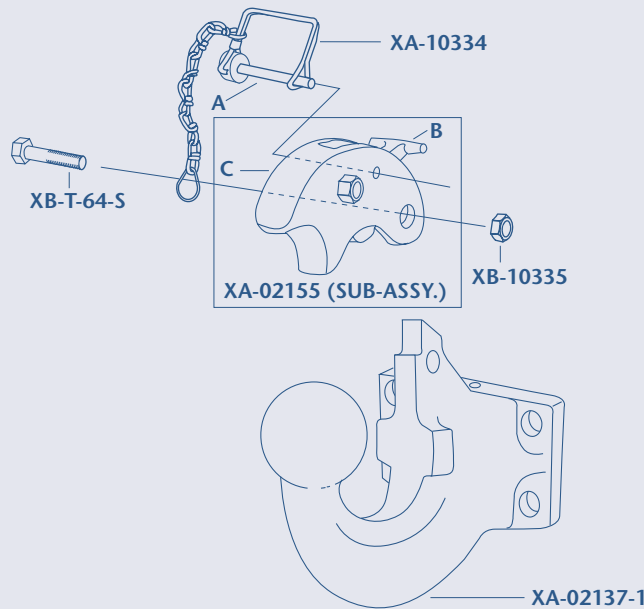
For proper performance, the following maintenance steps should be performed every 30,000 miles or 3 months, whichever comes first.

1. Clean and check for proper operation. Inspect for worn, damaged or missing parts. Replace as required using only Holland parts.
2. Inspect in particular, the coupling contact area. Replace when wear exceeds 1/8" (.125") from the original surface profile.
3. Regularly lubricate all pivot points with a light oil lubricant.
4. Check mounting fasteners for proper torque.

PH-16-B



ALL DIMENSIONS SHOWN ARE NOMINAL



Copyright © March 2002 • The Holland Group, Inc.

Holland USA, Inc. Facilities:
 Denmark, SC Muskegon, MI
 Dumas, AR Warrenton, MO
 Holland, MI Whitehouse Station, NJ
 Milpitas, CA Wylie, TX
 Ph: 888-396-6501 Fax: 800-356-3929

Holland International, Inc.
 Holland, MI
 Phone: 616-396-6501
 Fax: 616-396-1511

Holland Hitch of Canada, Ltd.
 Woodstock, Ontario • Canada
 Phone: 519-537-3494
 Fax: 800-565-7753

Holland Equipment, Ltd.
 Norwich, Ontario • Canada
 Phone: 519-863-3414
 Fax: 519-863-2398

Holland Hitch Western, Ltd.
 Surrey, British Columbia • Canada
 Phone: 604-574-7491
 Fax: 604-574-0244