



PH-30

PH-30 (Patented)* SPECIFICATIONS



Weight: 10 lbs.



Rigid type pintle hook.

6,000 lbs. Maximum Vertical Load
30,000 lbs. Maximum Gross Trailer Weight

SAE J847 Information:

Type I - not applicable. Type II - 32,000 lbs.

IMPORTANT SAFETY INFORMATION

Maintain adequate vertical (tongue) load to adequately control the trailer (generally 10%), but do not exceed the capacity ratings at right.

This equipment must not be used or maintained in a careless manner.

DURING OPERATION

1. Be sure the drawbar size is compatible with the coupling device on the tow vehicle.
2. Do not damage the latch. Be particularly careful during coupling and uncoupling.
3. Inspect the coupling device on the tow vehicle for proper operation. Do not use any coupling device that does not operate properly.
4. Other steps and inspections are also required. Consult OSHA and D.O.T. regulations and American Trucking Association for complete coupling and uncoupling procedures. These cover items such as cargo securement, brakes, lights, safety chains, and other important requirements.

GENERAL INFORMATION:

1. Do not modify or add to the product.
2. Wear safety goggles during installation and removal.
3. Never strike any part of the item with a steel hammer.
4. Do not weld on this product.

This product is covered by Holland's Commercial Products Warranty. Holland reserves the right, without giving prior notice, to change specifications and dimensions as designs are altered or improved.

TOWING APPLICATIONS:

Trailers and equipment designed for over-the-road towing within the stated capacities. For off-road applications, reduce the capacities above by 25% and use in conjunction with a swivel type drawbar.

DRAWBAR EYE DIMENSIONS:

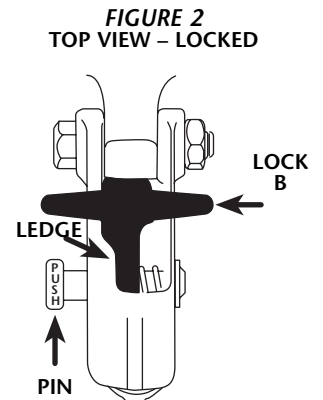
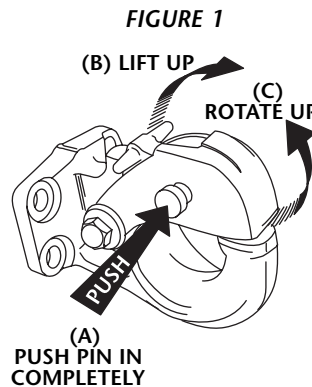
2" to 3" I.D. with 1.25" to 1.63" diameter section.

MOUNTING:

1. Use a mounting structure of sufficient strength to support the rated capacity of the pintle hook in accordance with SAE J849 and SAE J847, respectively.
2. Use the hole pattern described on the reverse.
3. Use (4) .50" grade 8 fasteners, properly tightened.

OPERATING INSTRUCTIONS:

1. Before operating, inspect for proper operation; worn, damaged, or missing parts; and a secure mounting. Correct as required before use.
2. To open latch, push spring-loaded pin (A) in until lock (B) clears the ledge of the latch (C). Lift lock (B) up until it clears the pintle body. Rotate latch (C) up to open (see **FIGURE 1**).



3. Position drawbar eye over the horn of the pintle and lower into place.
4. To close, rotate the latch down until it locks. Check to be sure that the lock (B) has returned to its locked position under the ledge of the latch (see **FIGURE 2**).

* The product described in this literature is covered by U.S. Patent No. 5,332,250 and corresponding foreign patents. Other patents pending.

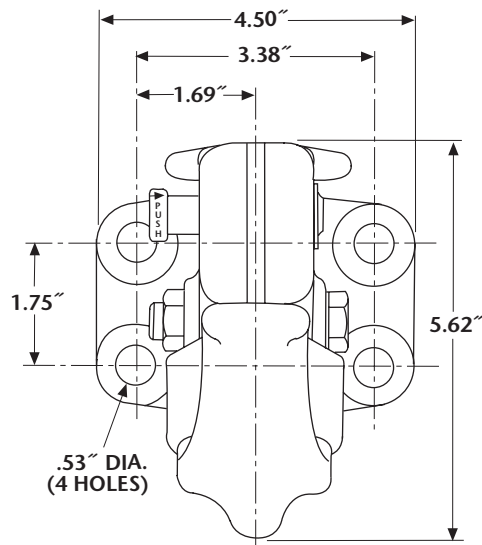
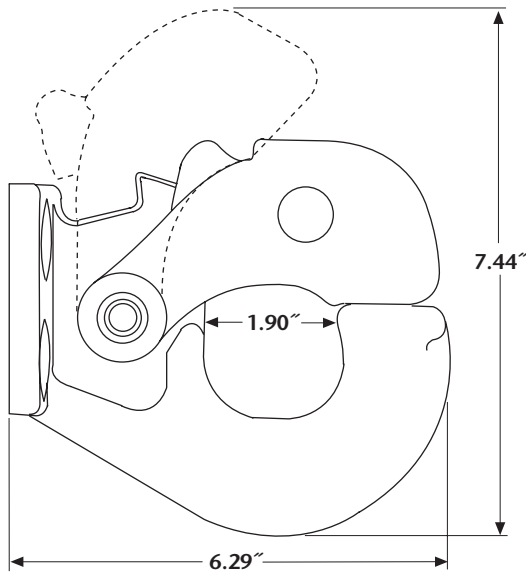
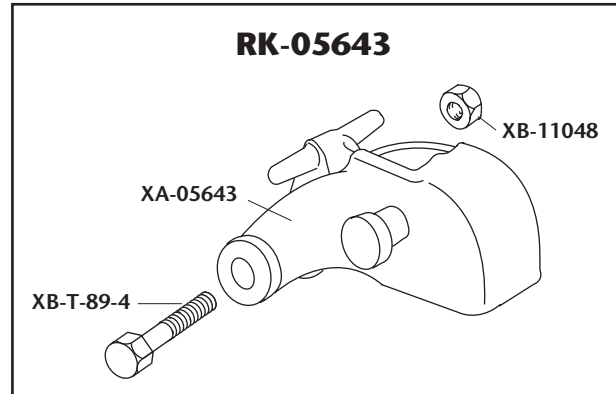
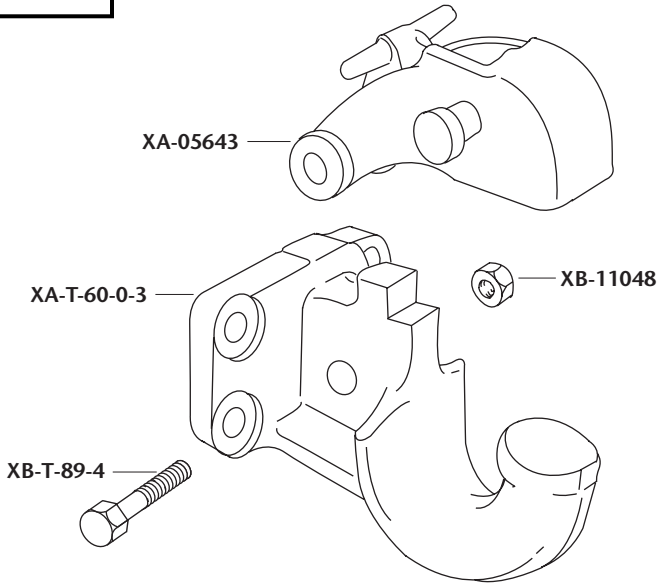
MAINTENANCE:

For proper performance, the following maintenance steps should be performed every 30,000 miles or 3 months, whichever comes first.

1. Clean and check for proper operation. Inspect for worn, damaged, or missing parts. Replace as required using only Holland parts.
2. Inspect, in particular, the coupling contact area. Replace any component when wear exceeds 1/8" (0.125") from the original surface profile.
3. Regularly lubricate the latch and lock pivots with a light oil lubricant.
4. Check mounting fasteners for proper torque.

PH-30

ALL DIMENSIONS SHOWN ARE NOMINAL



GO THE DISTANCE.

Copyright © January 2007 • The Holland Group, Inc.

Holland USA, Inc. Facilities:
 Dumas, AR Muskegon, MI
 Holland, MI Warrenton, MO
 Monroe, NC Wylie, TX
 Ph: 888-396-6501 Fax: 800-356-3929

Holland International, Inc.
 Holland, MI
 Phone: 616-396-6501
 Fax: 616-396-1511

Holland Hitch of Canada, Ltd.
 Woodstock, Ontario • Canada
 Phone: 519-537-3494
 Fax: 800-565-7753

Holland Equipment, Ltd.
 Norwich, Ontario • Canada
 Phone: 519-863-3414
 Fax: 519-863-2398

Holland Hitch of Canada, Ltd.
 Surrey, British Columbia • Canada
 Phone: 604-574-7491
 Fax: 604-574-0244

www.thehollandgroupinc.com