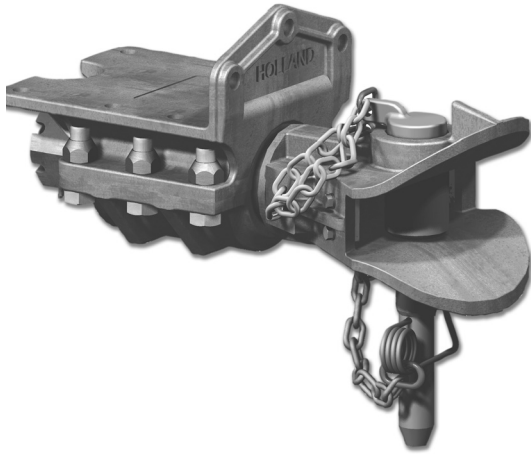




# PH-990ST71

## CLEVIS PIN AND WEAR PLATE KIT



RK-10291

For PH-990ST71 Pintle Hooks

### DISASSEMBLY AND INSPECTION

Please read and understand all instructions before attempting to disassemble or assemble the pintle hook. Clean and inspect the upper housing (XA-T-311), lower housing (XA-T-312), and pintle hook (XA-10286). Check for cracks along the lower portion of the upper housing and along the side of the lower housing, as shown in **FIGURE 1**.

If cracks are found on both the upper and lower housings, discard the pintle hook assembly and replace with a new PH-990ST71.

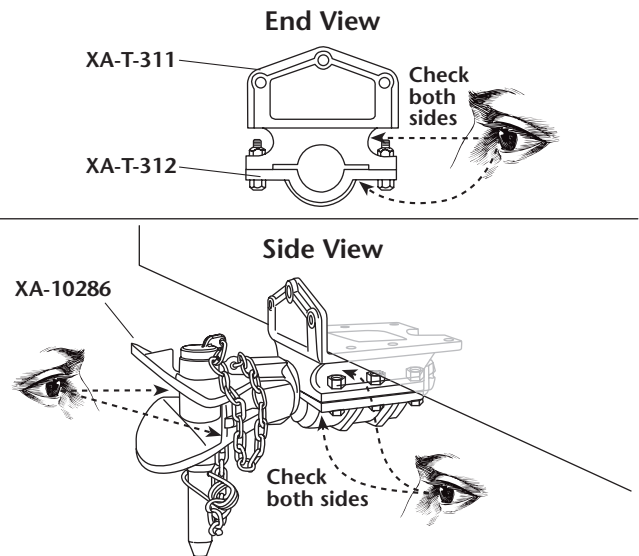
If cracks are found on only one of the housings **and** the pintle hook, discard the pintle hook assembly and replace with a new PH-990ST71.

If cracks are found on just one of the three components (housings or pintle hook), replace the cracked component.

If no cracks are found, proceed with the replacement of the clevis pin and wear plates as shown in **FIGURE 2**. Do not reuse the old bolts, washers, or connecting link. Add Loctite® to the bolts and wear plate threads before assembly.

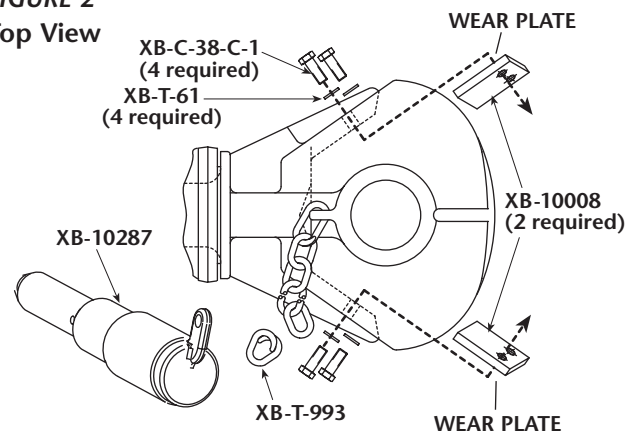
**FIGURE 1**

#### UPPER and LOWER HOUSINGS EXAMINE FOR CRACKS



**FIGURE 2**

#### Top View





**GO THE DISTANCE.**

HOLLAND USA, INC.  
1950 Industrial Blvd. • P.O. Box 425 • Muskegon, MI 49443-0425  
Phone 888-396-6501 • Fax 800-356-3929  
[www.thehollandgroupinc.com](http://www.thehollandgroupinc.com)

Copyright © November 2003 • The Holland Group, Inc.

**Holland USA, Inc. Facilities:**

Dumas, AR      Warrenton, MO  
Holland, MI      Wylie, TX  
Muskegon, MI

Ph: 888-396-6501      Fax: 800-356-3929

**Holland International, Inc.**

Holland, MI  
Phone: 616-396-6501  
Fax: 616-396-1511

**Holland Hitch of Canada, Ltd.**

Woodstock, Ontario • Canada  
Phone: 519-537-3494  
Fax: 800-565-7753

**Holland Equipment, Ltd.**

Norwich, Ontario • Canada  
Phone: 519-863-3414  
Fax: 519-863-2398

**Holland Hitch of Canada, Ltd.**

Surrey, British Columbia • Canada  
Phone: 604-574-7491  
Fax: 604-574-0244